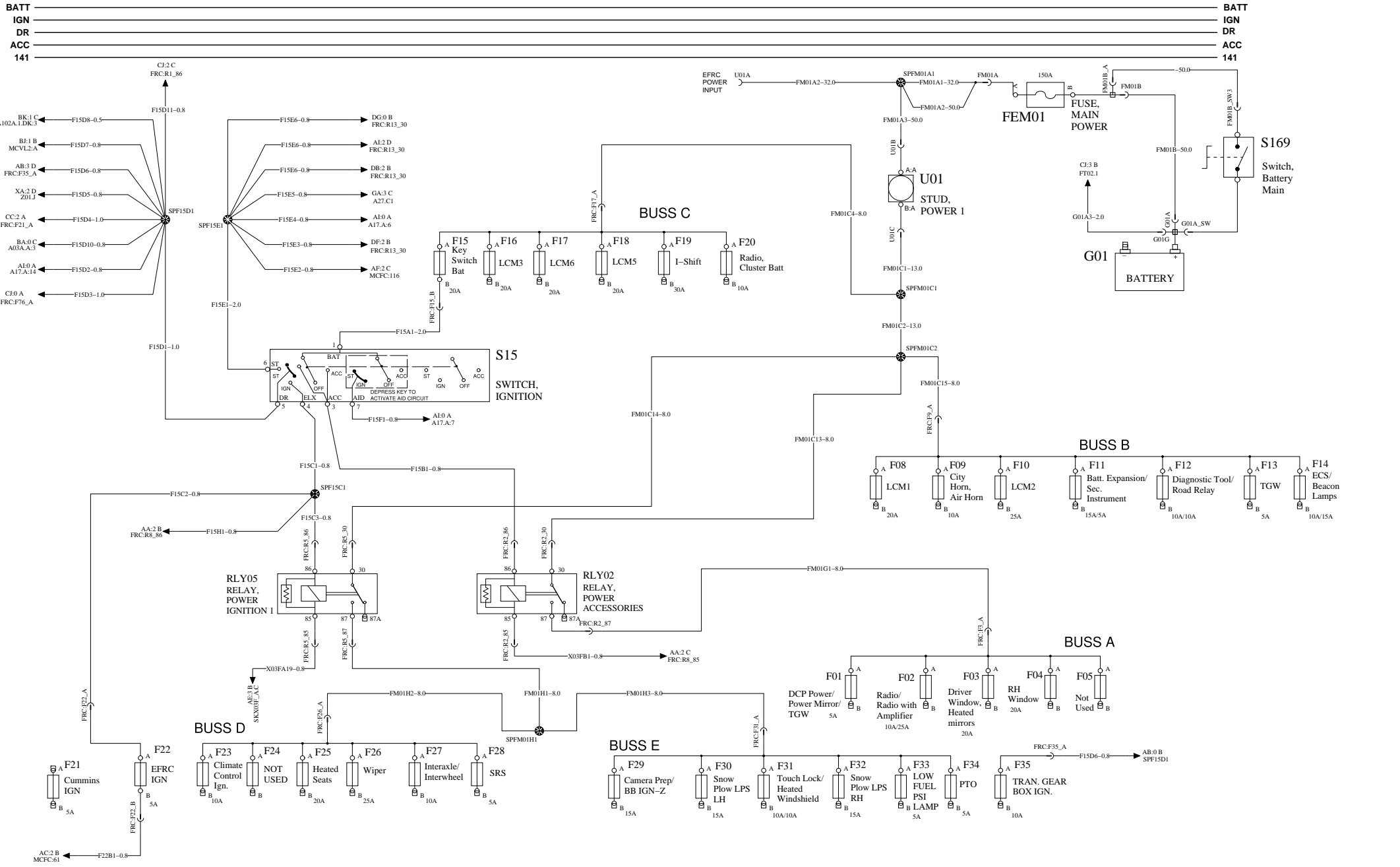




POWER SUPPLY, CIRCUIT PROTECTION 2/4

WIRING DIAGRAM : AB

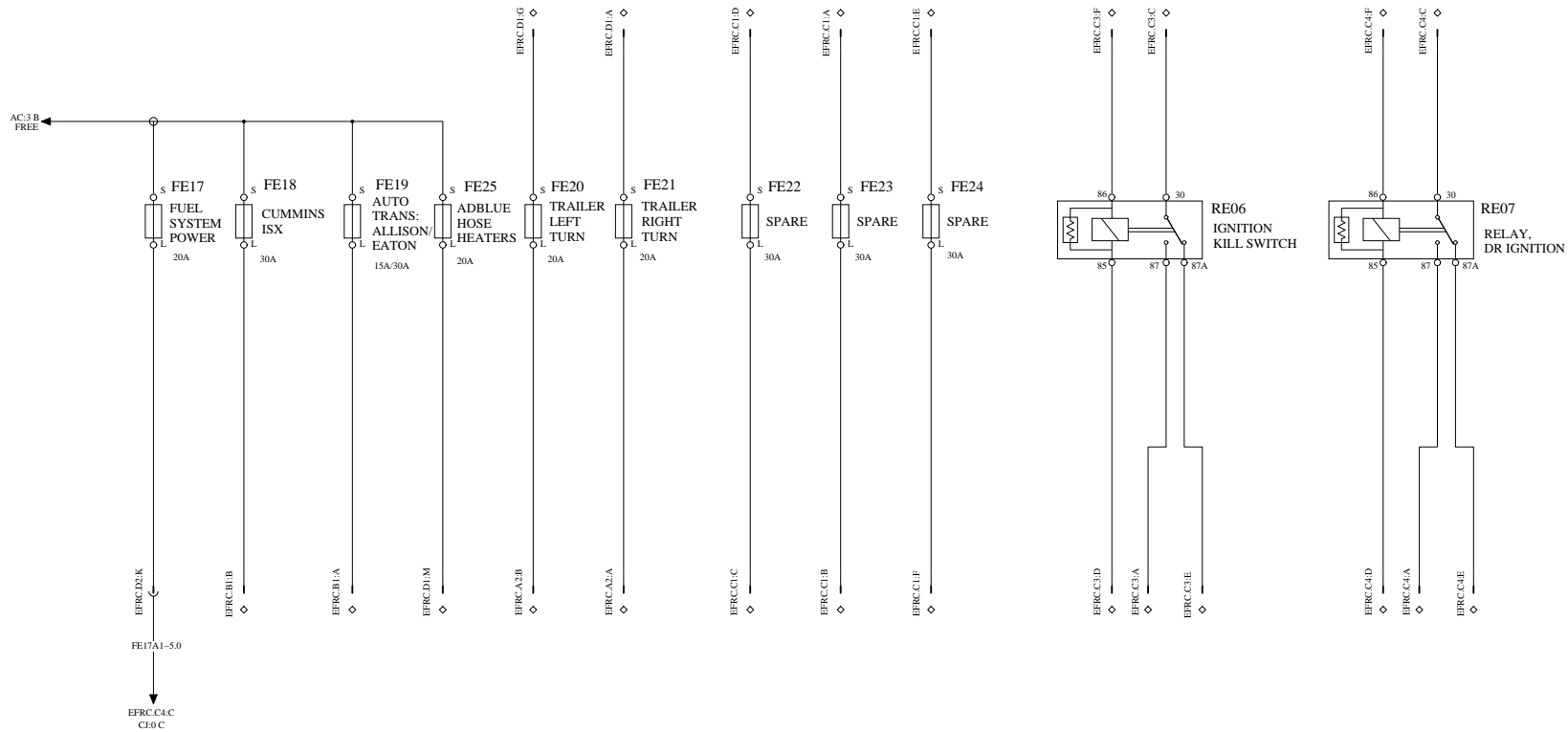


Volvo Trucks North America,  
Volvo Group North America, Inc.

Document title  
WIRING DIAGRAM  
Document type  
PRODUCT SCHEMATIC

Document No	Issue	Volume	Page
21921218	01	1 (2)	2 (12)

BATT	_____	BATT
IGN	_____	IGN
DR	_____	DR
ACC	_____	ACC
141	_____	141



Volvo Trucks North America,  
Volvo Group North America, Inc.

Document title  
WIRING DIAGRAM

Document type  
PRODUCT SCHEMATIC

Document No  
21921218

Issue  
01

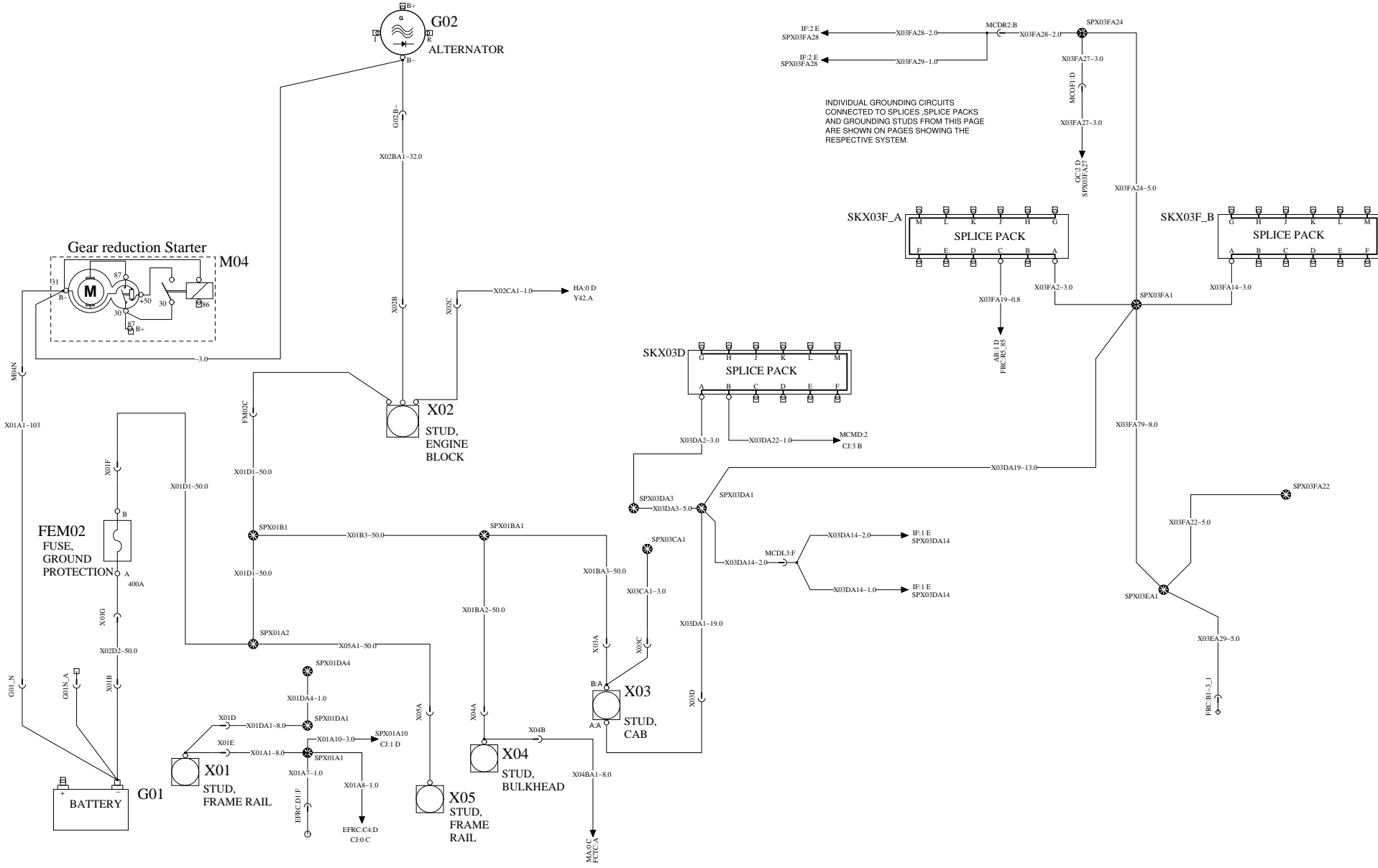
Volume  
1 (2)

Page  
3 (12)

# GROUNDING

# WIRING DIAGRAM : AE

BATT \_\_\_\_\_ BATT  
 IGN \_\_\_\_\_ IGN  
 DR \_\_\_\_\_ DR  
 ACC \_\_\_\_\_ ACC  
 141 \_\_\_\_\_ 141



Volvo Trucks North America,  
 Volvo Group North America, Inc.

Document title  
**WIRING DIAGRAM**  
 Document type  
**PRODUCT SCHEMATIC**

Document No

**21921218**

Issue

**01**

Volume

**1 (2)**

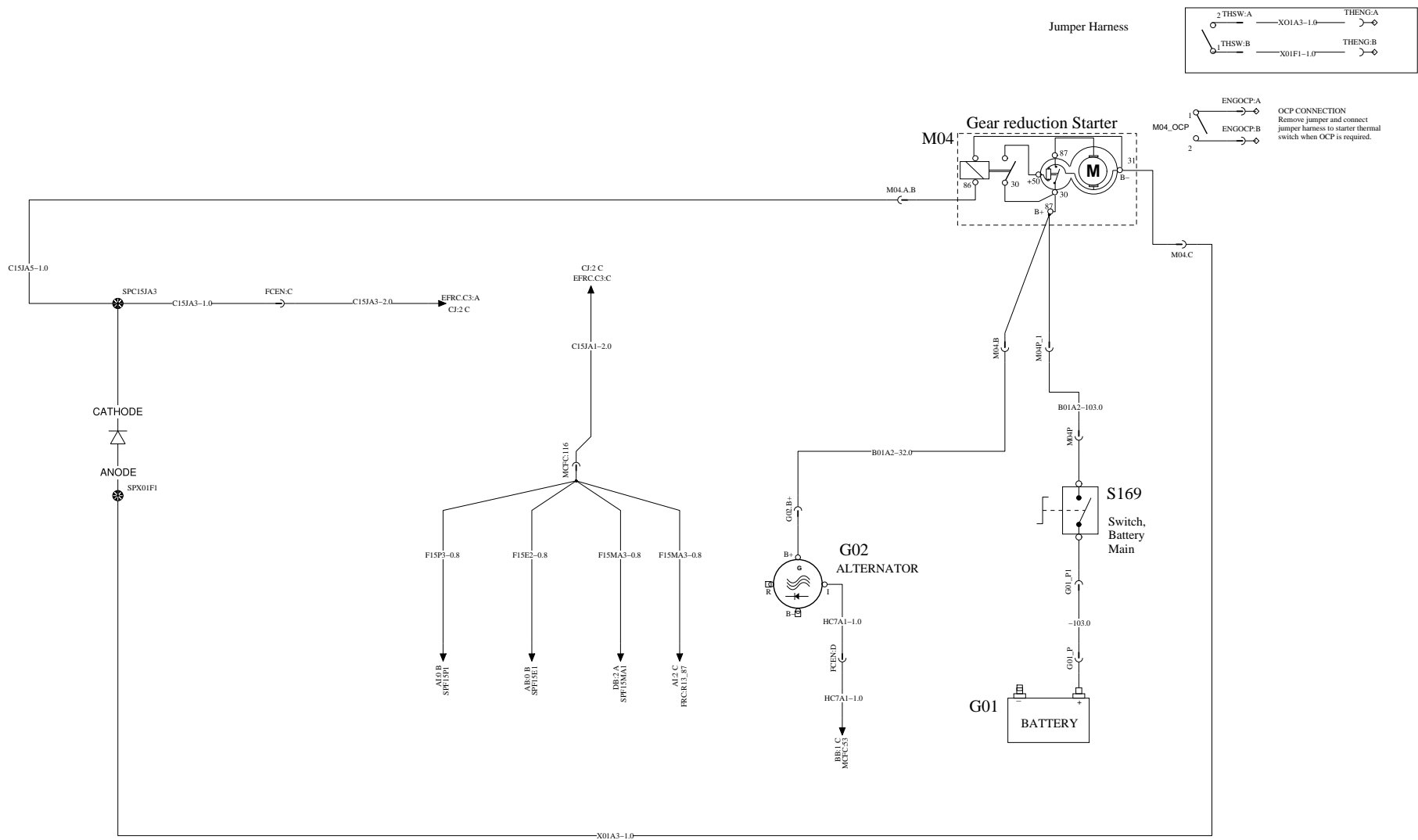
Page

**4 (12)**

# STARTING AND CHARGING

# WIRING DIAGRAM : AF

BATT \_\_\_\_\_ BATT  
 IGN \_\_\_\_\_ IGN  
 DR \_\_\_\_\_ DR  
 ACC \_\_\_\_\_ ACC  
 141 \_\_\_\_\_ 141



Volvo Trucks North America,  
 Volvo Group North America, Inc.

Document title  
**WIRING DIAGRAM**

Document type  
**PRODUCT SCHEMATIC**

Document No  
**21921218**

Issue  
**01**

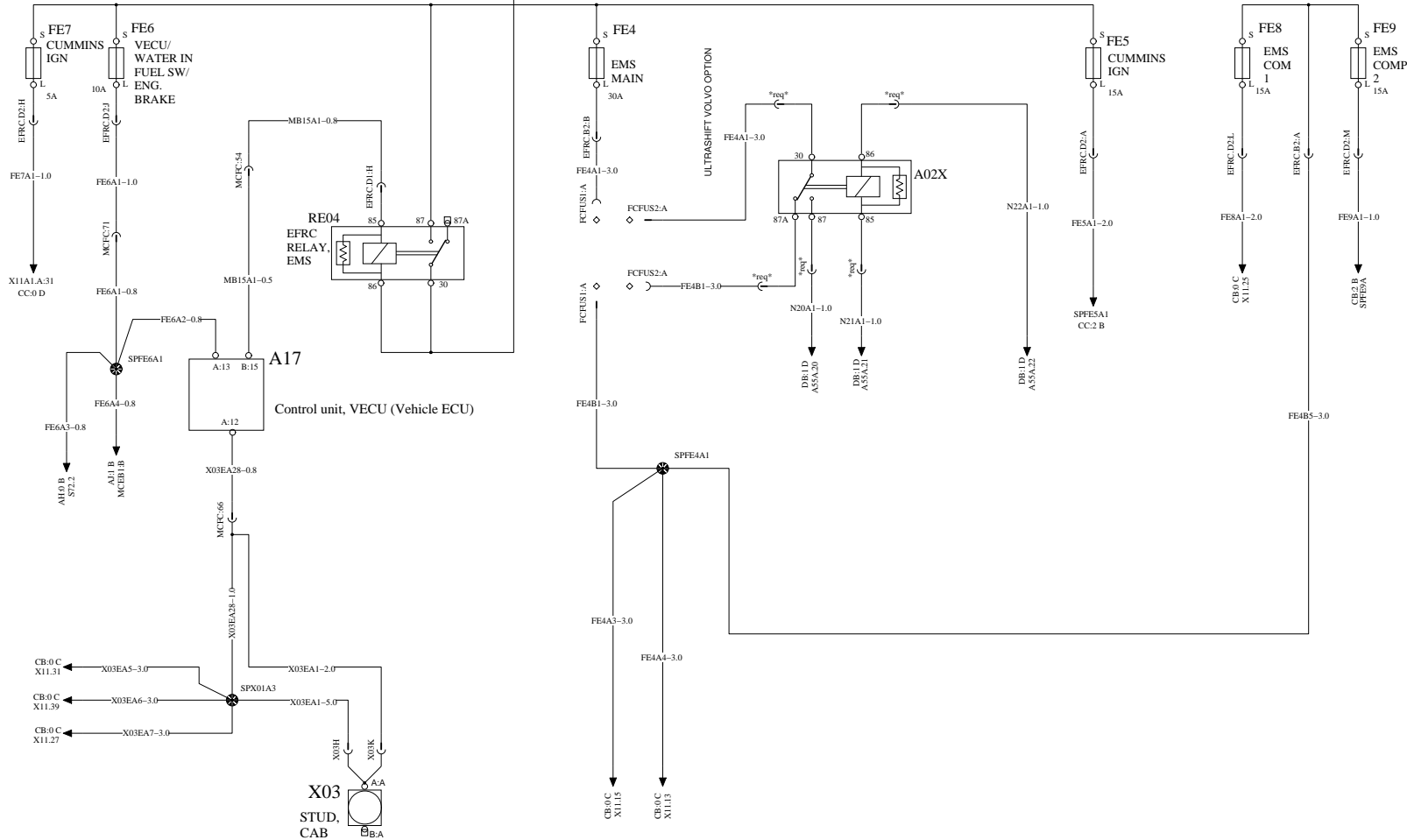
Volume  
**1 (2)**

Page  
**5 (12)**

# VEHICLE ECU 1/4 EMS POWER CONTROL

# WIRING DIAGRAM : AG

BATT \_\_\_\_\_ BATT  
 IGN \_\_\_\_\_ IGN  
 DR \_\_\_\_\_ DR  
 ACC \_\_\_\_\_ ACC  
 141 \_\_\_\_\_ 141



Volvo Trucks North America,  
 Volvo Group North America, Inc.

Document title  
**WIRING DIAGRAM**  
 Document type  
**PRODUCT SCHEMATIC**

Document No  
**21921218**

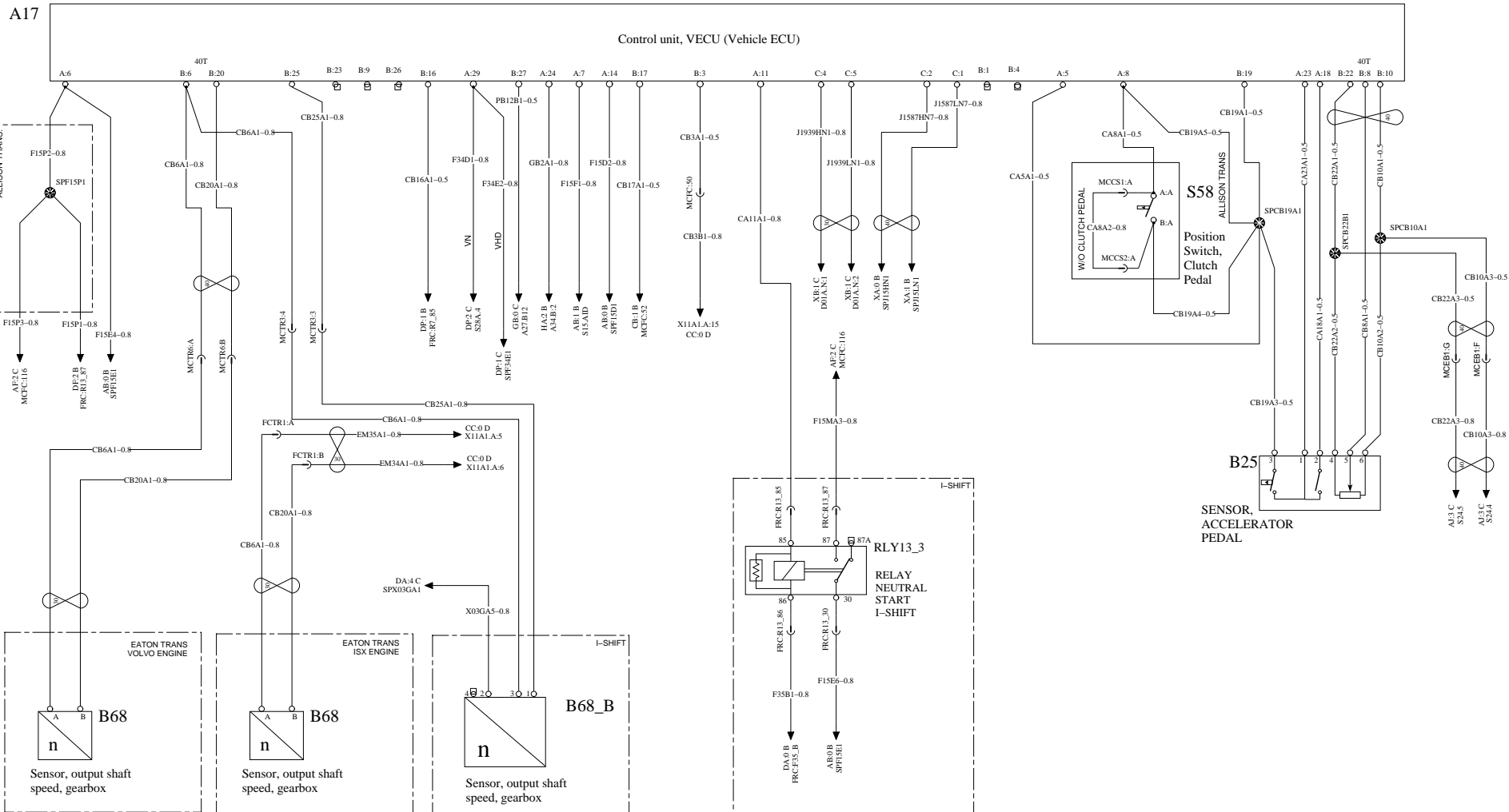
Issue  
**01**

Volume  
**1(2)**

Page  
**6 (12)**

BATT \_\_\_\_\_ BATT  
 IGN \_\_\_\_\_ IGN  
 DR \_\_\_\_\_ DR  
 ACC \_\_\_\_\_ ACC  
 141 \_\_\_\_\_ 141

POWER SUPPLY ON SHEET AE



Volvo Trucks North America,  
 Volvo Group North America, Inc.

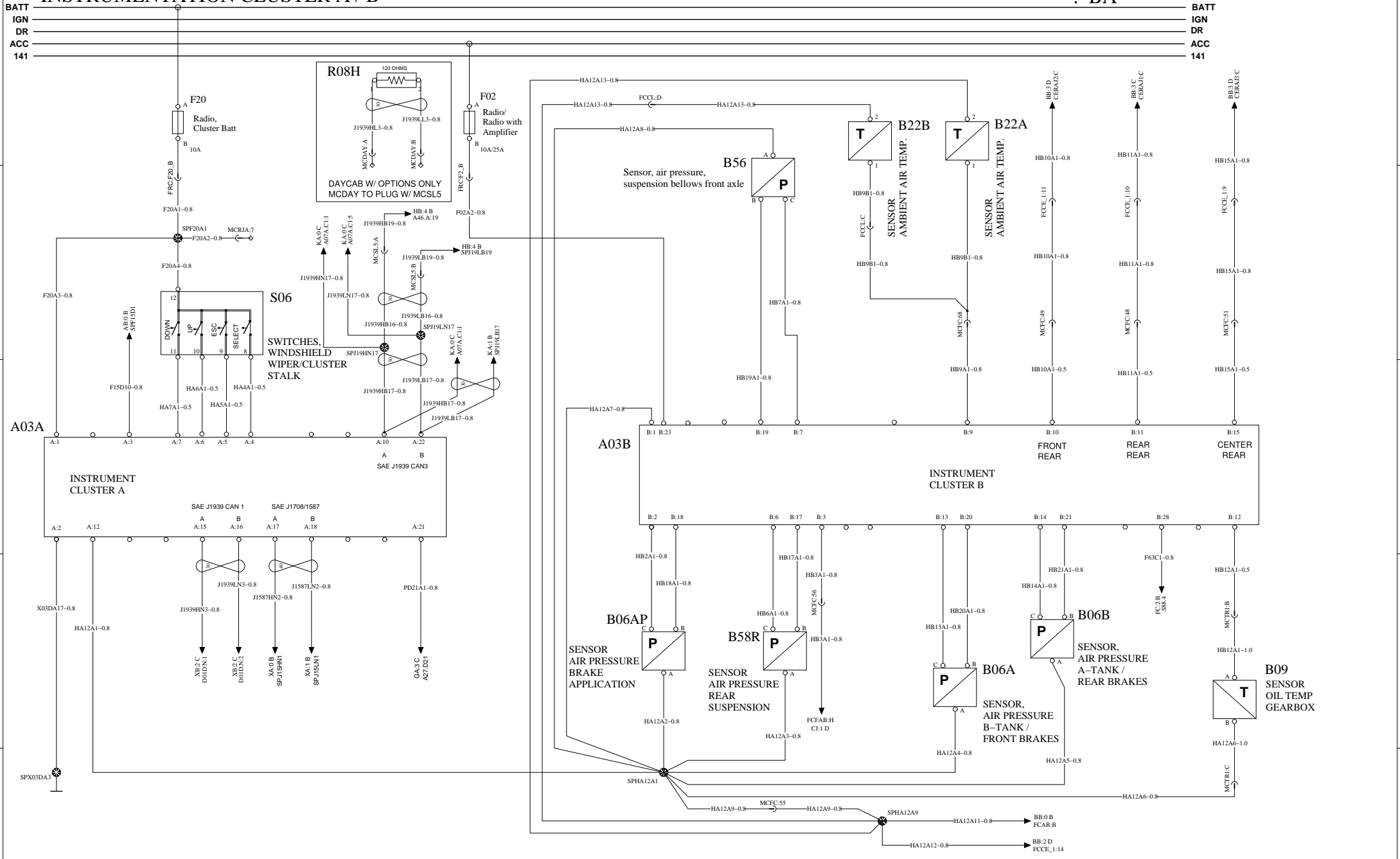
Document title  
 WIRING DIAGRAM  
 Document type  
 PRODUCT SCHEMATIC

Document No  
 21921218

Issue  
 01  
 Volume  
 1 (2)  
 Page  
 7 (12)

# INSTRUMENTATION CLUSTER A / B

# WIRING DIAGRAM : BA



Volvo Trucks North America,  
Volvo Group North America, Inc.

Document title  
WIRING DIAGRAM  
Document type  
PRODUCT SCHEMATIC

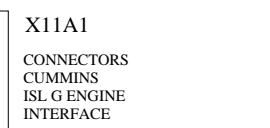
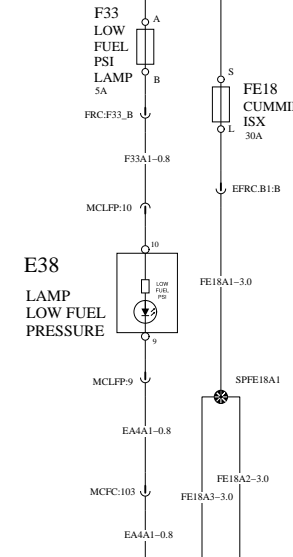
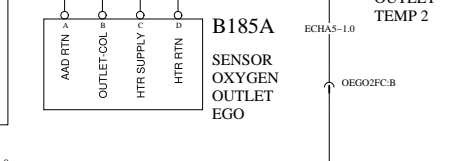
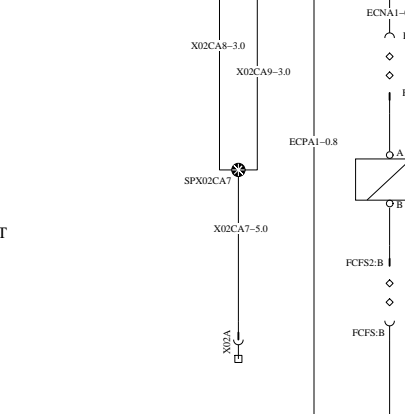
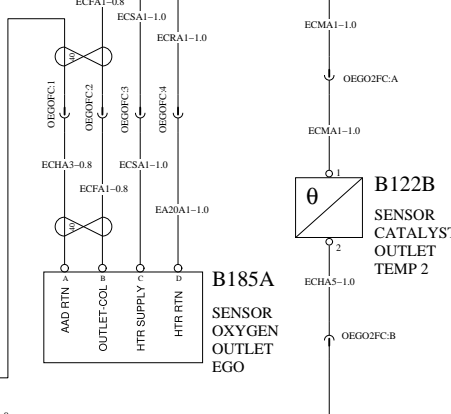
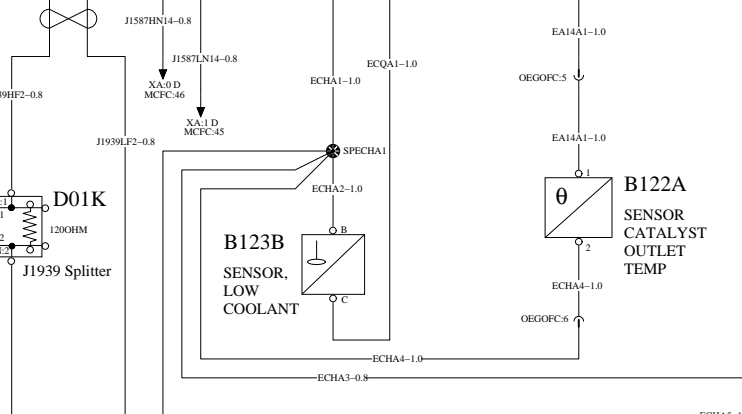
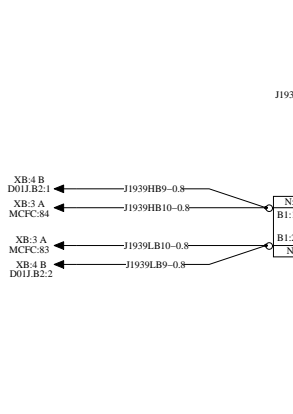
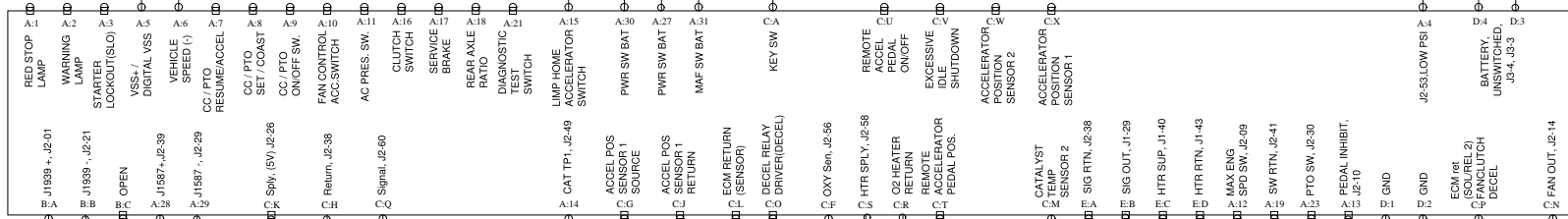
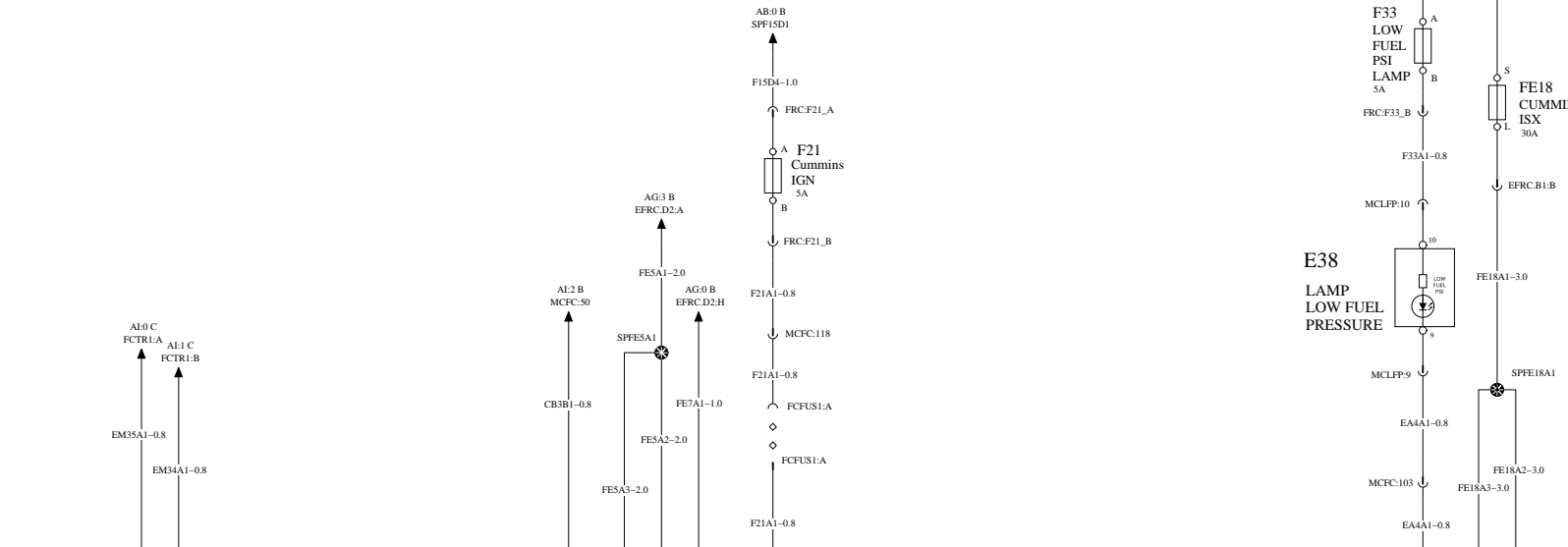
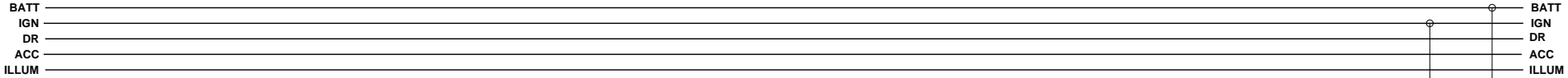
Document No  
21921218

Issue	Volume	Page
01	1 (2)	8 (12)



# ENGINE CONTROL ISX US10

# WIRING DIAGRAM : CC



Volvo Trucks North America,  
Volvo Group North America, Inc.

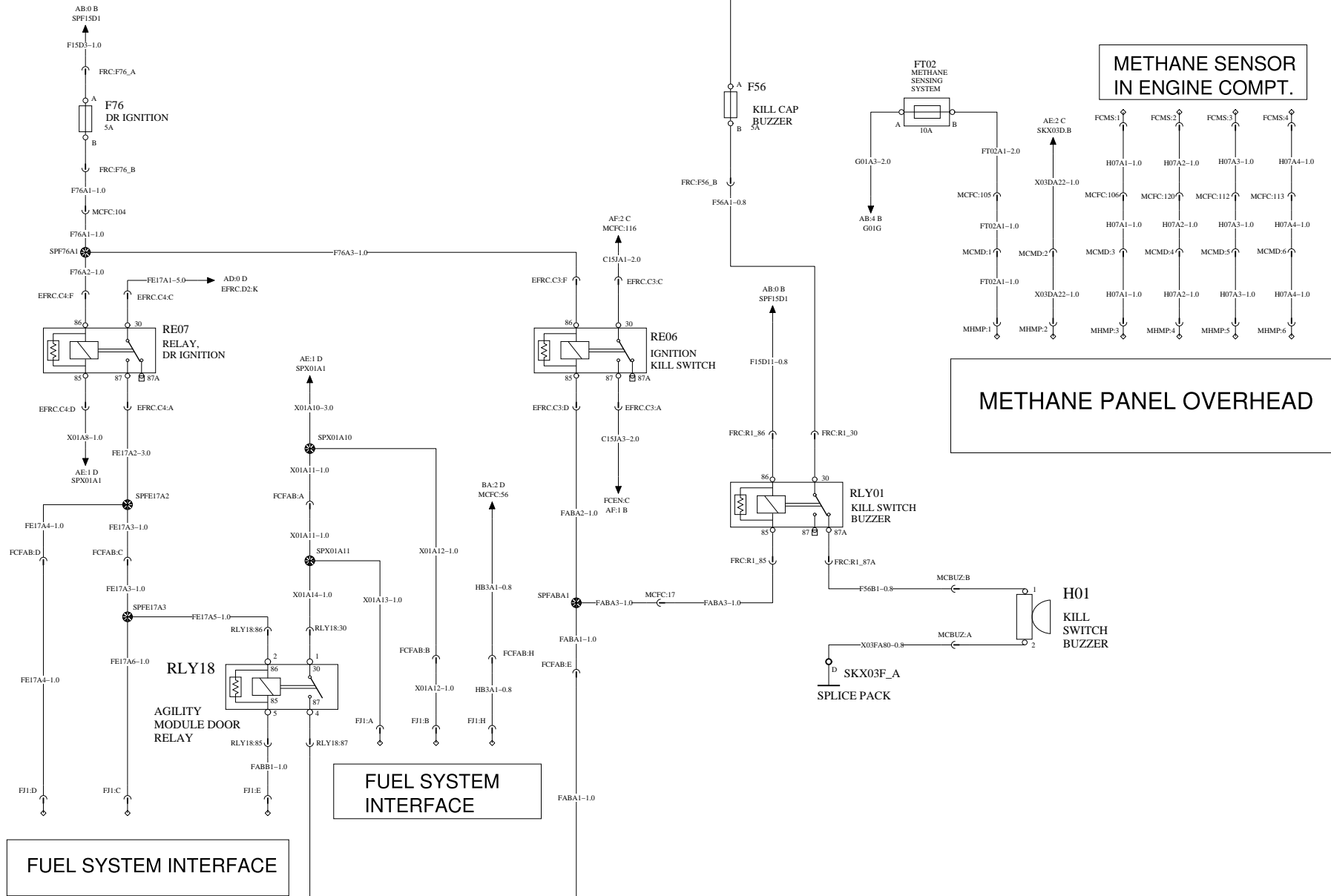
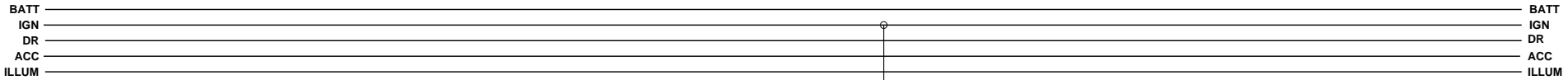
Document title  
**WIRING DIAGRAM**  
Document type  
**PRODUCT SCHEMATIC**

Document No  
**21921218**

Issue  
**01**  
Volume  
**1 (2)**  
Page  
**9 (12)**

# CNG FUEL SYSTEM & METHANE SENSOR

# WIRING DIAGRAM : CJ



Volvo Trucks North America,  
Volvo Group North America, Inc.

Document title  
**WIRING DIAGRAM**  
Document type  
**PRODUCT SCHEMATIC**

Document No

**21921218**

Issue

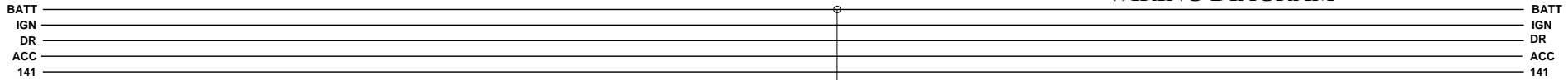
**01**

Volume

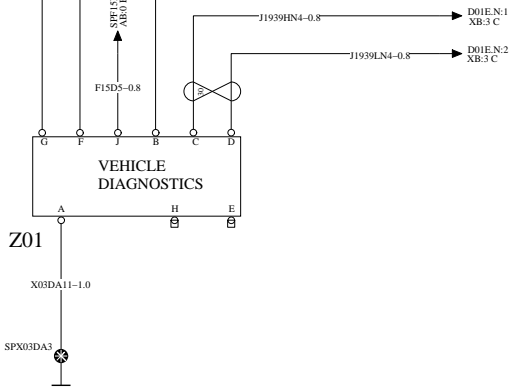
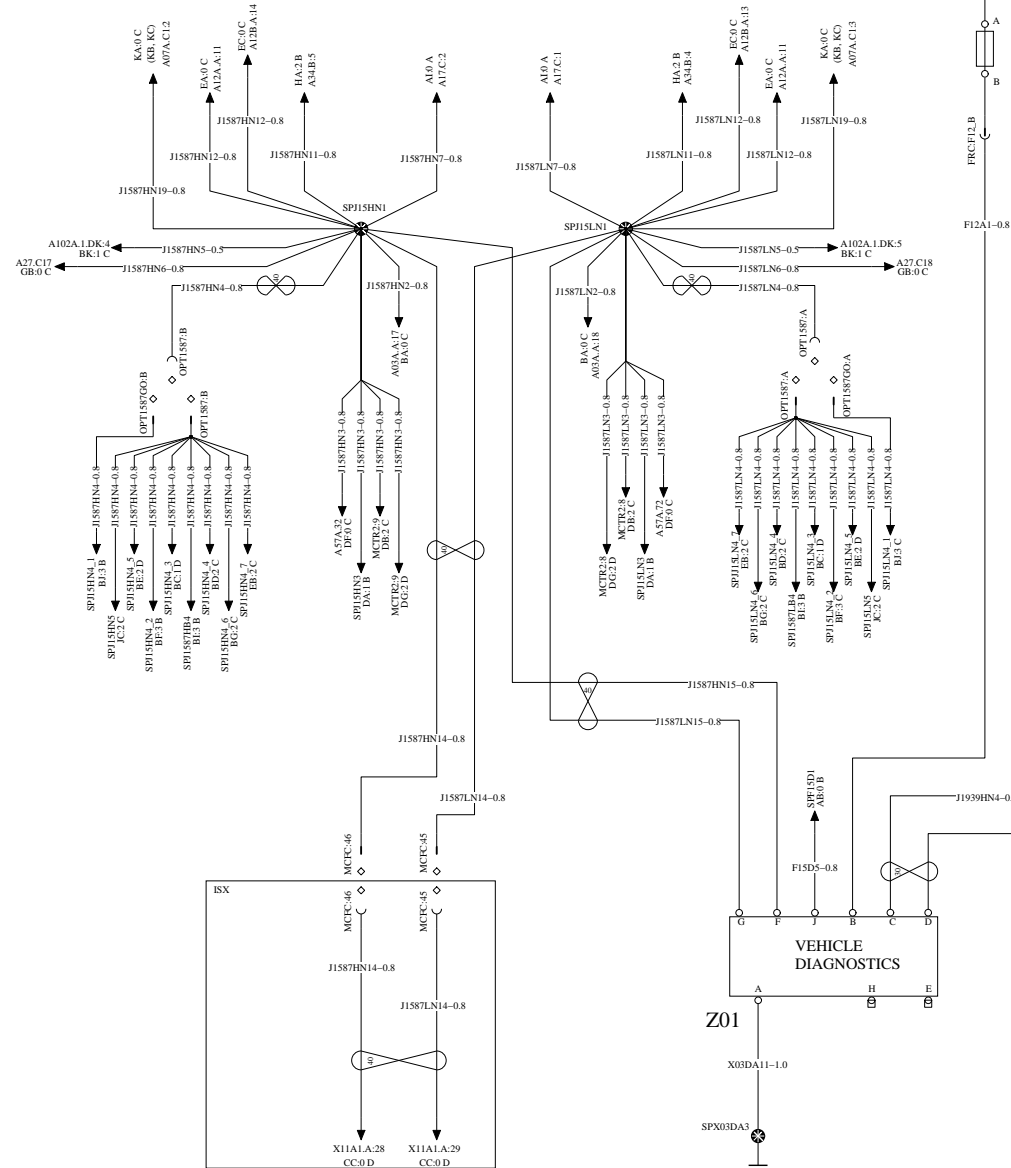
**1 (2)**

Page

**10 (12)**



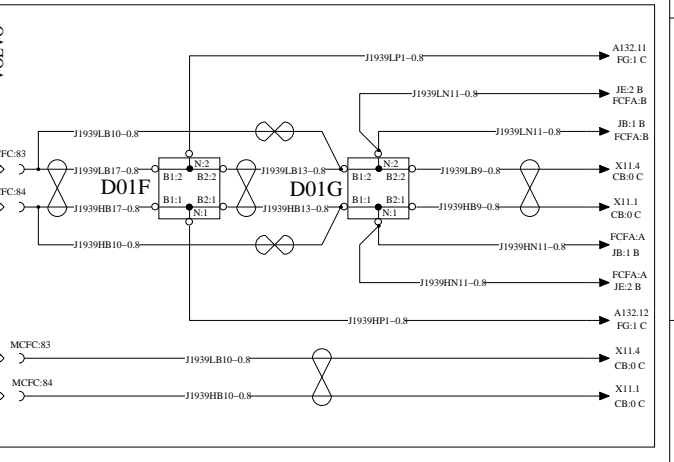
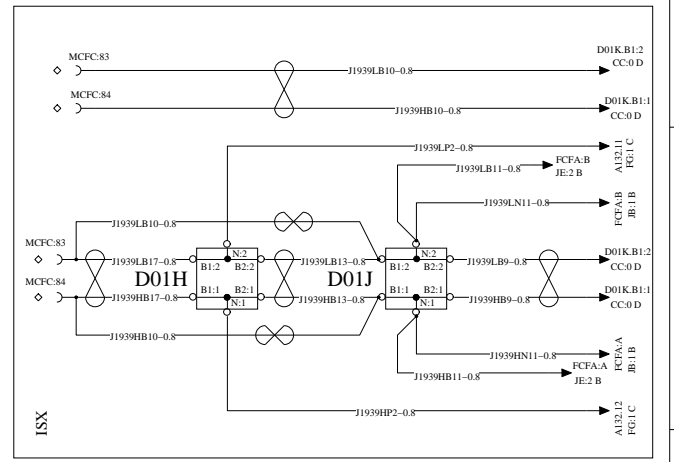
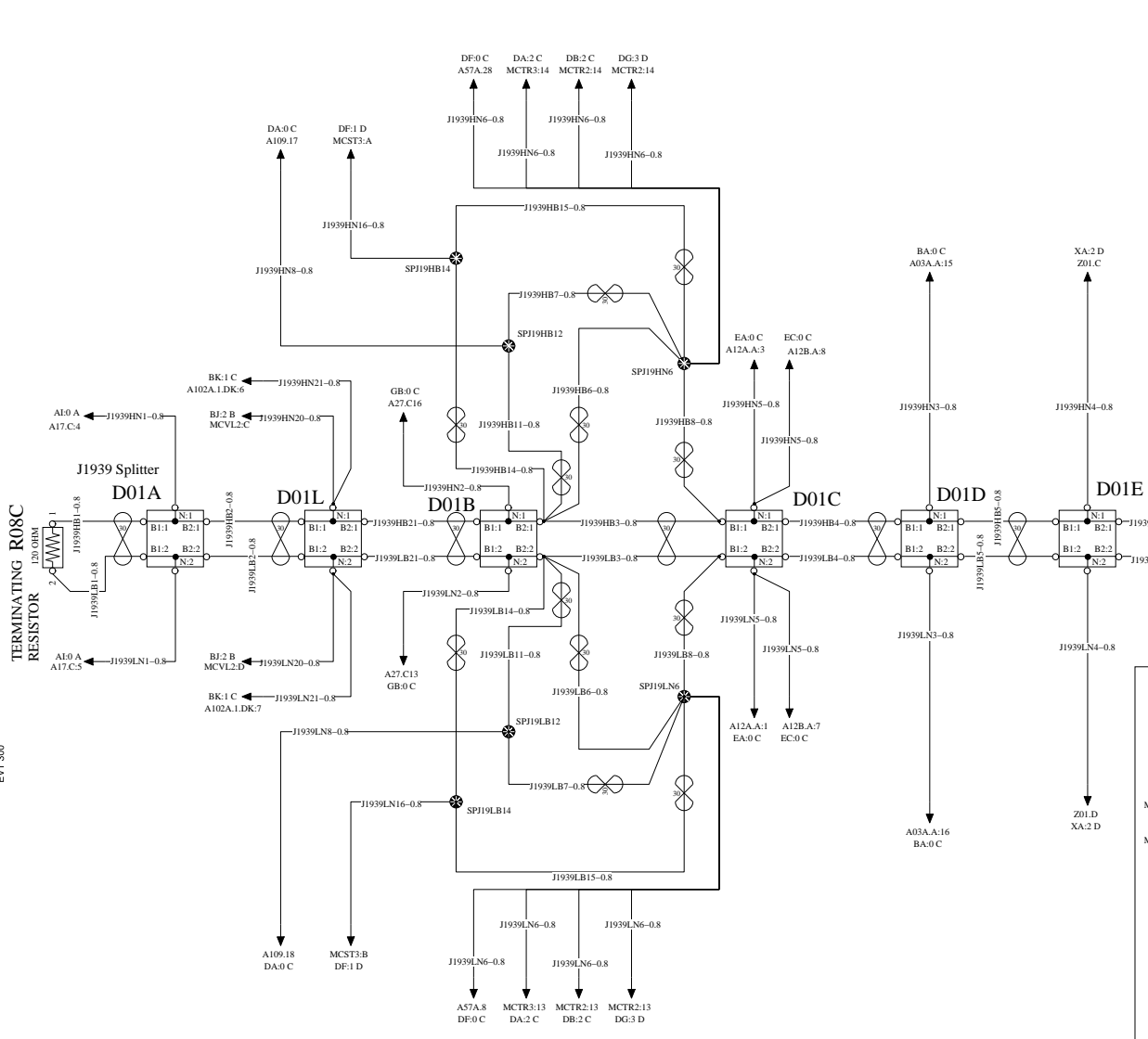
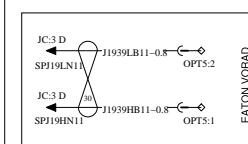
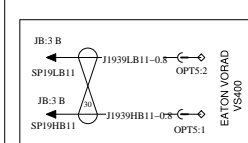
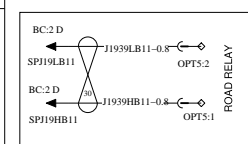
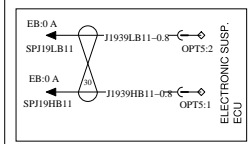
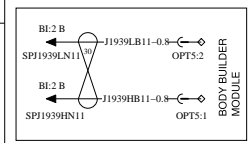
F12  
Diagnostic Tool/  
Road Relay  
10A/10A



Volvo Trucks North America,  
Volvo Group North America, Inc.

Document title WIRING DIAGRAM	Document No <b>21921218</b>	Issue <b>01</b>	Volume <b>1 (2)</b>	Page <b>11 (12)</b>
Document type PRODUCT SCHEMATIC				

BATT \_\_\_\_\_ BATT  
 IGN \_\_\_\_\_ IGN  
 DR \_\_\_\_\_ DR  
 ACC \_\_\_\_\_ ACC  
 141 \_\_\_\_\_ 141



	Volvo Trucks North America, Volvo Group North America, Inc.	Document title <b>WIRING DIAGRAM</b>	Document No <b>21921218</b>	Issue <b>01</b>	Volume <b>1 (2)</b>	Page <b>12 (12)</b>
		Document type <b>PRODUCT SCHEMATIC</b>				

Engineering Release Notice (ERN)	Location	Change Description	A = Added U = Deleted	W = Was	Document Release Status
					Date
					Modification Count

## WIRING DIAGRAM BILL OF MATERIAL, 12V

Part Type	Item	Description	Location
componentSymbol	RLY18		{CJ 1 D}
componentSymbol	FE17		{AD 0 C}
componentSymbol	X02		{AE 1 C}
componentSymbol	FE7		{AG 0 B}
componentSymbol	FE5		{AG 3 B}
componentSymbol	F21		{CC 2 B}
componentSymbol	D01K		{CC 0 D}
componentSymbol	B185A		{CC 2 E}
componentSymbol	Y35		{CC 4 D}
componentSymbol	B122A		{CC 2 D}
componentSymbol	F33		{CC 4 A}
componentSymbol	FE18		{CC 4 A}
componentSymbol	E38		{CC 4 B}
componentSymbol	B123B		{CC 1 E}
componentSymbol	X11A1		{CC 2 C}
componentSymbol	B122B		{CC 3 D}
componentSymbol	RE07		{CJ 0 C}
componentSymbol	F76		{CJ 0 B}
componentSymbol	FT02		{CJ 3 B}
componentSymbol	RE06		{CJ 2 C}
componentSymbol	RLY01		{CJ 2 C}
componentSymbol	F56		{CJ 2 B}
componentSymbol	H01		{CJ 3 D}
componentSymbol	SKX03F_A		{CJ 2 D}
componentSymbol	D01H		{XB 3 B}
componentSymbol	D01J		{XB 4 B}
global_terminal_connector	G01G		{AB 4 B}
global_terminal_connector	X02A		{CC 3 E}
inline_connector	EFRC.D2:K		{AD 0 D}
inline_connector	MCFC:116		{AF 2 C}
inline_connector	FCEN:C		{AF 1 B}

The copying, distribution and utilization of this document as well as the communication of its contents to others without expressed authorization is prohibited. Offenders will be held liable for payment of damages. All rights reserved in the event of the grant of a patent, utility model or ornamental design registration.

Document Title  
**WIRING DIAGRAM**  
**VN**  
**ISX NATURAL GAS ENGINE**

**VOLVO**

**Volvo Trucks North America**  
**Volvo Group North America, Inc.**

Document Type  
**PRODUCT SCHEMATIC**

Owner Domain: Document Prefix

Document No	Issue Index	Volume No	Page No
<b>21921218</b>	<b>01</b>	<b>2(2)</b>	<b>1(4)</b>

inline_connector	EFRC.D2:H		{AG 0 B}
inline_connector	EFRC.D2:A		{AG 3 B}
inline_connector	MCFC:50		{AI 2 B}
inline_connector	FCTR1:B		{AI 0 C}
inline_connector	FCTR1:A		{AI 0 C}
inline_connector	MCFC:56		{BA 2 D}
inline_connector	OEGOFC:1		{CC 2 D}
inline_connector	OEGOFC:2		{CC 2 D}
inline_connector	OEGOFC:4		{CC 2 D}
inline_connector	OEGOFC:3		{CC 2 D}
inline_connector	FCFS2:B		{CC 4 E}
inline_connector	MCFC:118		{CC 2 B}
inline_connector	MCFC:103		{CC 4 C}
inline_connector	MCLFP:10		{CC 4 B}
inline_connector	MCLFP:9		{CC 4 B}
inline_connector	FCFS:B		{CC 4 E}
inline_connector	FCFS:A		{CC 4 D}
inline_connector	FCFS2:A		{CC 4 D}
inline_connector	EFRC.B1:B		{CC 4 B}
inline_connector	FRC:F33_B		{CC 4 A}
inline_connector	FRC:F21_B		{CC 2 B}
inline_connector	FRC:F21_A		{CC 2 A}
inline_connector	OEGOFC:6		{CC 2 E}
inline_connector	OEGOFC:5		{CC 2 D}
inline_connector	FCFUS1:A		{CC 2 C} {CC 2 B}
inline_connector	OEGO2FC:A		{CC 3 D}
inline_connector	OEGO2FC:B		{CC 3 E}
inline_connector	FRC:F76_A		{CJ 0 A}
inline_connector	FRC:F76_B		{CJ 0 B}
inline_connector	MCFC:104		{CJ 0 B}
inline_connector	EFRC.C4:F		{CJ 0 B}
inline_connector	MCFC:105		{CJ 3 B}
inline_connector	EFRC.C4:D		{CJ 0 C}
inline_connector	EFRC.C4:A		{CJ 0 C}
inline_connector	EFRC.C4:C		{CJ 0 B}
inline_connector	MCMD:1		{CJ 3 B}
inline_connector	MHMP:1		{CJ 3 B}
inline_connector	MHMP:2		{CJ 3 B}
inline_connector	MCMD:2		{CJ 3 B}
inline_connector	MCFC:106		{CJ 3 B}
inline_connector	MCFC:120		{CJ 3 B}
inline_connector	MCFC:112		{CJ 4 B}
inline_connector	MCFC:113		{CJ 4 B}
inline_connector	MCMD:3		{CJ 3 B}

**VOLVO**

Volvo Truck North America  
Volvo Group North America, Inc.

Document Title

**WIRING DIAGRAM INDEX**

Document Type

**PRODUCT SCHEMATIC**

Document No

**21921218**

Issue Index

**01**

Volume No

**2(2)**

Page No

**2(4)**

inline_connector	MCMD:4		{CJ 3 B}
inline_connector	MCMD:5		{CJ 4 B}
inline_connector	MCMD:6		{CJ 4 B}
inline_connector	MHMP:3		{CJ 3 B}
inline_connector	MHMP:4		{CJ 3 B}
inline_connector	MHMP:5		{CJ 4 B}
inline_connector	MHMP:6		{CJ 4 B}
inline_connector	FCMS:1		{CJ 3 B}
inline_connector	FCMS:2		{CJ 3 B}
inline_connector	FCMS:3		{CJ 4 B}
inline_connector	FCMS:4		{CJ 4 B}
inline_connector	FCFAB:C		{CJ 0 D}
inline_connector	FCFAB:D		{CJ 0 D}
inline_connector	FCFAB:A		{CJ 1 C}
inline_connector	FCFAB:B		{CJ 1 D}
inline_connector	FCFAB:H		{CJ 1 D}
inline_connector	MCFC:17		{CJ 2 D}
inline_connector	EFRC.C3:D		{CJ 2 C}
inline_connector	EFRC.C3:A		{CJ 2 C}
inline_connector	EFRC.C3:F		{CJ 2 B}
inline_connector	EFRC.C3:C		{CJ 2 B}
inline_connector	FRC:F56_B		{CJ 2 B}
inline_connector	FRC:R1_86		{CJ 2 C}
inline_connector	FRC:R1_30		{CJ 2 C}
inline_connector	FRC:R1_85		{CJ 2 C}
inline_connector	MCBUZ:B		{CJ 3 D}
inline_connector	MCBUZ:A		{CJ 3 D}
inline_connector	FRC:R1_87A		{CJ 2 C}
inline_connector	FCFAB:E		{CJ 2 D}
inline_connector	MCFC:46		{XA 0 D}
inline_connector	MCFC:45		{XA 1 D}
inline_connector	MCFC:83		{XB 3 B} {XB 3 A}
inline_connector	MCFC:84		{XB 3 C} {XB 3 A}
inline_connector	FJ1:A		{CJ 1 D}
inline_connector	FJ1:B		{CJ 1 D}
inline_connector	FJ1:C		{CJ 0 E}
inline_connector	FJ1:D		{CJ 0 E}
inline_connector	FJ1:E		{CJ 1 E}
inline_connector	FJ1:H		{CJ 1 D}
inline_connector	RLY18:85		{CJ 1 D}
inline_connector	RLY18:86		{CJ 1 D}
inline_connector	RLY18:87		{CJ 1 D}
inline_connector	RLY18:30		{CJ 1 D}
inline_connector	SPF15D1		{AB 0 B}

**VOLVO**

Volvo Truck North America  
Volvo Group North America, Inc.

Document Title

**WIRING DIAGRAM INDEX**

Document Type

**PRODUCT SCHEMATIC**

Document No

**21921218**

Issue Index

**01**

Volume No

**2(2)**

Page No

**3(4)**

physical_splice_connector	SPX01A1		{AE 1 D}
physical_splice_connector	SPECHA1		{CC 1 D}
physical_splice_connector	SPFE5A1		{CC 2 B}
physical_splice_connector	SPFE18A1		{CC 4 B}
physical_splice_connector	SPX02CA7		{CC 3 D}
physical_splice_connector	SPFE17A2		{CJ 0 C}
physical_splice_connector	SPX01A10		{CJ 1 C}
physical_splice_connector	SPF76A1		{CJ 0 B}
physical_splice_connector	SPFABA1		{CJ 2 D}
physical_splice_connector	SPX01A11		{CJ 1 C}
physical_splice_connector	SPFE17A3		{CJ 0 D}

**VOLVO**

Volvo Truck North America  
Volvo Group North America, Inc.

Document Title

**WIRING DIAGRAM INDEX**

Document Type

**PRODUCT SCHEMATIC**

Document No

**21921218**

Issue Index

**01**

Volume No

**2(2)**

Page No

**4(4)**