

D-17120-82

See DCN

RELEASED

Date | Modification Count

WIRING DIAGRAM INDEX

NAME	DESCRIPTION	PAGE
AA	POWER SUPPLY, CIRCUIT PROTECTION 1/4	3
AB	POWER SUPPLY, CIRCUIT PROTECTION 2/4	4
AC	POWER SUPPLY, CIRCUIT PROTECTION 3/4 (EF	5
AD	POWER SUPPLY, CIRCUIT PROTECTION 4/4 (EF	6
AE	GROUNDING	7
AF	STARTING AND CHARGING	8
AG	VECHILE ECU 1/4 EMS POWER CONTROL	9
AH	VECHILE ECU 2/4	10
AI	VECHILE ECU 3/4	11
AJ	VECHILE ECU 4/4 ENGINE BRAKE SWITCHES	12
AL	GROUNDING OPTIONS	13
AM	CHARGING AND POWER CABLES OPTIONS	14
AN	GROUNDING OPTIONS	15
BA	INSTRUMENTATION CLUSTER A/B	16
BB	INSTRUMENTATION CLUSTER C	17
BC	INSTRUMENTATION ROAD RELAY	18
BD	INSTRUMENTATION OPTIONAL GAUGES	19
BE	COMMUNICATIONS QUALCOMM/OMNIVISION	20
BG	COMMUNICATIONS MOBILE MAX II	21
BH	BODYBUILDER	22
BI	BODYBUILDER MODULE 2013	23
BJ	TELEMATICS GATEWAY (TGW)	24
BL	BATTERY BUSSING	25
BM	BODYBUILDER MODULE 2016	26
BN	BODY BUILDER	27
BP	ISX-G FUEL SYSTEM	28
CA	EITHER START/ENGINE HEATER	29
CB	ENGINE CONTROL VOLVO ENGINE	30
CC	ENGINE CONTROL ISX US13 1/2	31
CD	ENGINE CONTROL ISX US13 2/2	32
CE	FUEL FILTER HEATER	33
CH	INSIDE/OUTSIDE AIR CLEANER	34
CK	UREA DOSING SYSTEM 3/3 OBD 2013	35
CL	ENGINE CONTROL ISX-G 1/2	36
CM	METHANE DETECTION	37
CN	ENGINE CONTROL ISX US17 1/2	38
CP	ENGINE CONTROL ISX US17 2/2	39
DA	TRANSMISSION I-SHIFT	40
DB	TRANSMISSION CONTROL EATON AUTOMATICS	41
DE	TRANSMISSION CONTROL 5TH GENERATION 1/2	42
DF	TRANSMISSION CONTROL 5TH GENERATION 2/2	43
DP	PTO	44
EA	ABS CONTROL WABCO	45
EB	SUSPENSION ECU 2013	46
EC	ABS6 CONTROL BENDIX 1/3	47
ED	ABS CONTROL BENDIX ESC (ELECTRONIC STABI	48
EG	ABS8 CONTROL BENDIX 3/3	49
EH	SUSPENSION LIFTABLE PUSHER	50
FA	AIR DRYER/HEATED DRAIN VALVE	51
FB	LIFT AXLES VHD	52
FC	SUSPENSION DUMP, 5TH WHEEL SLIDE	53
FD	DIFFERENTIAL LOCK VN/VHD	54
FF	5TH WHEEL LOCK	55
FG	TIRE PRESSURE MONITORING SYSTEM	56

NAME	DESCRIPTION	PAGE
GA	LIGHTING CONTROL 1/2	57
GB	LIGHTING CONTROL 2/2	58
GC	MARKER LAMPS	59
GD	DRIVING LIGHTS	60
GE	DRIVING/FOG LIGHTS	61
GF	TAIL LAMPS W/ALARM	62
GG	BACK OF CAB LAMPS L1	63
GH	BACK OF CAB LAMPS L3 - L5	64
GI	SNOW PLOW AND BEACON LAMPS	65
GJ	BEACON LAMPS	66
GK	BACKUP LAMPS WITH ALARM	67
GP	WINGSHIELD WASHER	68
GQ	HORN	69
HA	CLIMATE CONTROL	70
HB	SLEEPER CLIMATE CONTROL W.LECM	71
HC	SHORE POWER	72
HD	L3 - L4 SLEEPER FUNCTIONS/LIGHTING/REFRI	73
HE	L5H4 SLEEPER FUNCTIONS	74
HH	L5H2 SLEEPER FUNCTIONS/LIGHTING/REFRIGER	75
HI	CAB MNT. INVERTER W/SHORE POWER	76
HJ	AUXILIARY 12V PARK COOLING SYSTEM 1/2	77
IA	INTERIOR COURTESY LIGHTS	78
IB	HEATED SEATS/SEATBELT REMINDER/HEATED WI	79
IC	POWER WINDOWS/MIRRORS W.DCP	80
IE	POWER WINDOWS / MIRRORS WITH TURN SIGNAL	81
IF	CENTRAL / REMOTE DOOR LOCKING	82
IG	CIGAR LIGHTER / AUX POWER (DASH RADIO SH	83
IH	BRIGHTWORK	84
JA	SRS AIRBAG CONTROL	85
JD	STEERING WHEEL MODULE / MARKER INTERRUPT	86
JE	ADAPTIVE CRUISE CONTROL / FUSION	87
JF	SIDE OBJECT DETECTION SYSTEM	88
JG	LANE DEPARTURE WARNING SYSTEM	89
JH	BENDIX FUSION	90
JJ	SERVICE JUMPER CUST. RADIO MUTE LDWS	91
KA	AUDIO SYSTEM:GLAD RADIO 4 SPEAKERS	92
KB	AUDIO SYSTEM: GLAD RADIO - 6 SPEAKERS	93
KC	AUDIO SYSTEM - GLAD RADIO 6 SPEAKERS W/S	94
KD	AUDIO SYSTEM - BLUETOOTH/AUX//USB	95
KE	AUDIO SYSTEM: DEA 500 SERIES RADIO- 4 SP	96
KF	AUDIO SYSTEM- DEA 500 SERIES RADIO- 6 SP	97
KG	AUDIO SYSTEM- DEA 500 SERIES RADIO- 6 SP	98
KH	AUDIO SYSTEM: DEA 500 SERIES RADIO JUMPE	99
MA	TRAILER CABLE	100
MB	TRAILER CABLE OPTIONS	101
MC	TRAILER CABLES/BODY BUILDER OPTIONS	102
NA	AUXILIARY SWITCHES	103
ND	H. D. POWER LIFT GATE	104
XA	DIAGNOSTICS 1/3 (DL4 - J1587 & DL2 - J22	105
XB	DIAGNOSTICS 2/3 (DL1 - J1939)	106
XC	DIAGNOSTICS 3/3 (DL3-J1939)	107
XD	DIAGNOSTICS 2/3 (DL1 - J1939)	108
XE	DIAGNOSTICS 3/3 (DL1 - J1939)	109
XF	DIAGNOSTICS 4/4 CUMMINS 2016/2017 (DL10)	110

The copying, distribution and utilization of this document as well as the communication of its contents to others without expressed authorization is prohibited. Offenders will be held liable for payment of damages. All rights reserved in the event of the grant of a patent, utility model or ornamental design registration.

Document title
12V SCHEMATIC VOLVO

The legal owner of this document is as stated under "Design Location" in KOLA and in the associated "Part Version Report"



Document type
PRODUCT SCHEMATICS

Document No	Issue	Volume	Sheet No
21849527	09	1 (2)	1 (110)

ABBREVIATION LIST, 12V

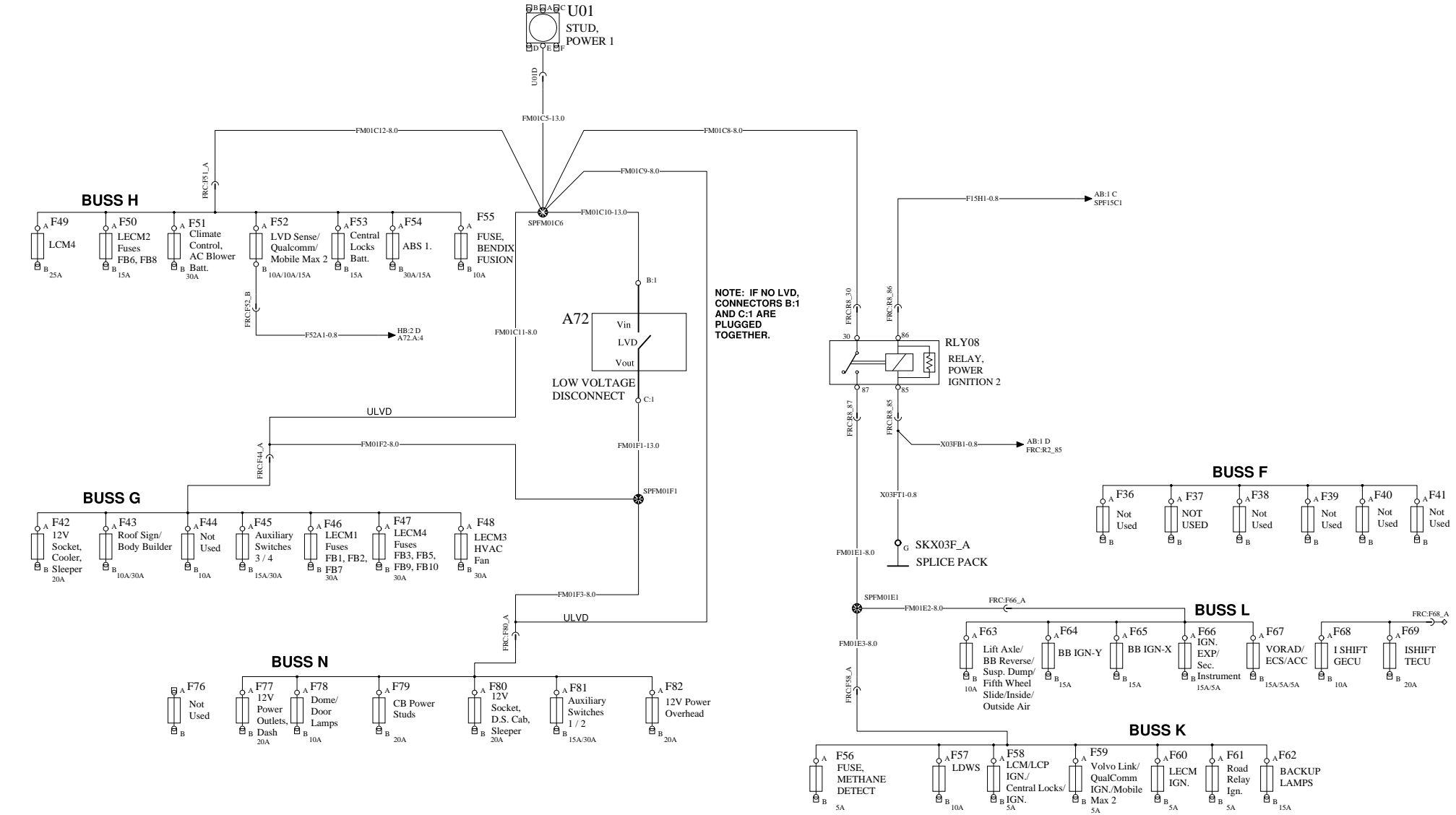
SHELL CAVITY	HARNESSES	WHERE USED
AAC_DT	DASH OVERLAY	AUX AUDIO
AAC_TS	SLEEPER OVERLAY	AUX AUDIO
ABS_X1	MAIN CAB	ABS JUMPER
ABS_X2	MAIN CAB	ABS JUMPER
ABS_X3	MAIN CAB	ABS JUMPER
ACLD	FUSION A PILLAR	LANE DEPARTURE
AF_AFR	DASH OVLY	AUX COOLING FAN
ALLISON	AUTOTRANS TRANS	ALLISON
AT_CAB_TRANS	MAIN CAB	TRANSMISSION
AUX_SW_PWR	MAIN CAB	MISC SW_PWR
BB_CAB	BODY_BUILDER_CAB	BODY_BUILDER_CHASSIS
BBCBBC	BODY_BUILDER_CAB	BODY_BUILDER_CHASSIS
BBM_1939	MAIN CAB	BODY_BUILDER_CAB
BBTR	BODY_BUILDER_CHASSIS	BB_INTERCONNECTION
BOCLPL	SLEEPER	BACK_OF_CAB_LAMP
BOCLPR	SLEEPER	BACK_OF_CAB_LAMP
DSFC	DS_HARNESSES	REAR_CHASSIS_EXTENSION
EFRC	FRONT_CHASSIS	FUSE_RELAY_CENTER
ESFC	FRONT_CHASSIS	ECS_OVERLAY
FCAC	FRONT_CHASSIS	APADS
FCAE2	FRONT_CHASSIS	BATTERY_PWR
FCCE	FRONT_CHASSIS	REAR_CHASSIS_EXTENSION
FCCL	FRONT_CHASSIS	COOLANT_LEVEL
FCCUT4	FRONT_CHASSIS	UREA_TANK
FCEGO	FRONT_CHASSIS	STANTION_HARNESSES
FCEIC	FRONT_CHASSIS	UREA_DOSING
FCEN	FRONT_CHASSIS	ENGINE
FCFA	FRONT_CHASSIS	ANTENNA
FCHL	FRONT_CHASSIS	HEADLIGHTS_LEFT
FCHLR	FRONT_CHASSIS	HEADLIGHTS_RIGHT
FCRE	TAIL_LAMP_EXT	TAIL_LAMP_EXTENSION
FCTR	FRONT_CHASSIS	TRANSMISSION
FCUT	UREA_TANK	UREA_TANK_EXTENSION
FCWB	FRONT_CHASSIS	WASHER_BOTTLE
FRC_J1	MAIN CAB	FUSE_RELAY_CENTER
FRC_J2	MAIN CAB	FUSE_RELAY_CENTER
FRC_J3	MAIN CAB	FUSE_RELAY_CENTER
FRC_J4	MAIN CAB	FUSE_RELAY_CENTER

SHELL CAVITY	HARNESSES	WHERE USED
FRC_J5	MAIN CAB	FUSE_RELAY_CENTER
FUSEXT	FUSION A PILLAR	LANE DEPARTURE EXTENSION
HLSO	HEADLINER	COURTESY LIGHTS
HOOKUPLP	MAIN CAB	HOOKUP LAMPS
ILLUM_OPT	MISC SWITCH	OPTIONAL ILLUMINATION
MCABS	MAIN CAB	ABS
MCACC	MAIN CAB	OVERLAY_ACC
MCAF	MAIN CAB	AUX_FAN
MCBBM	MAIN CAB	PTO
MCDIAG	MAIN CAB	DIAGNOSTICS
MCDL	MAIN CAB	DOOR-L
MCDR	MAIN CAB	DOOR-R
MCES	MAIN CAB	ECS_OVERLAY
MCFC	MAIN CAB	FRONT_CHASSIS
MCFH	MAIN CAB	SLEEPER
MCHL	MAIN CAB	HOOKUP LAMPS
MCME	MAIN CAB	METHANE
MCOF1	MAIN CAB	ROOF
MCOF2	MAIN CAB	ROOF
MCOF2A	MAIN CAB	SPEAKER
MCOF2B	ROOF	SPEAKER
MCOF3	MAIN CAB	ROOF
MCOF5	METHANE	ROOF
MCQP	MAIN CAB	QUALCOMM PEOPLENET
MCSC	MAIN CAB	STEERING COLUMN
MCSEM	MAIN CAB	INFOTAINMENT
MCTR	MAIN CAB	TRANSMISSION
PB_START	PBSTART_HARNESSES	ENGINE_START
RCECS	CHASSIS ECS OVERLAY	ECS
RCSP	FRONT_CHASSIS	SOLENOID_PACK
RFHL	ROOF	ROOF HEADLINER
RFRS	ROOF	RADIO SHELF
ROMJ	ROOF	METHANE JUMPER
SFSR	SLEEPER_FRONT	SLEEPER_REAR
SLOB	SLEEPER	OVERHEAD BUNK
SLRFHL	ROOF	HEADLINER
TLBU	TAIL_LAMP	BACKUP_ALARM
TLRE	TAIL_LAMP	TAIL_LAMP_EXTENSION

POWER SUPPLY, CIRCUIT PROTECTION 1/4

WIRING DIAGRAM: AA

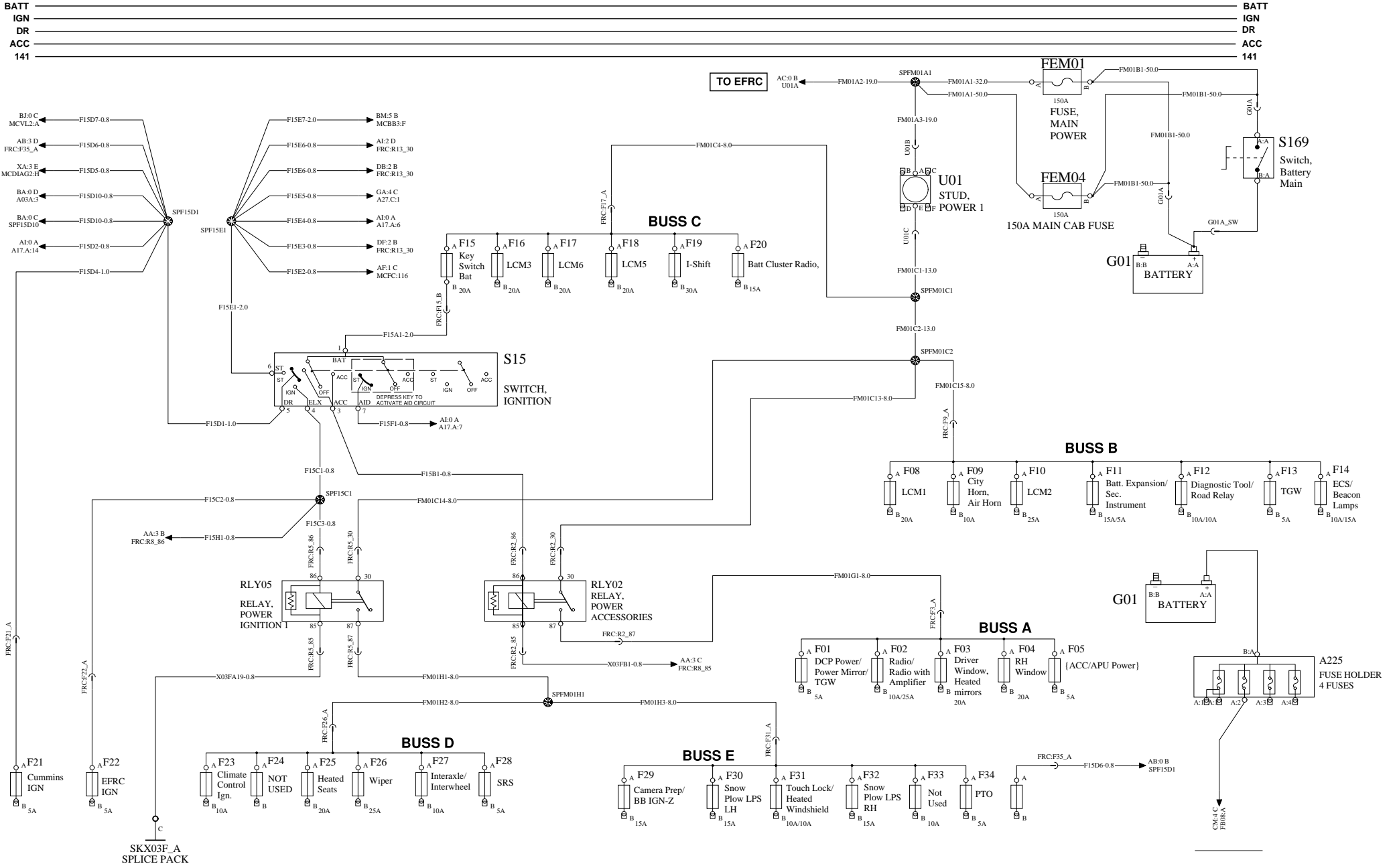
BATT
IGN
DR
ACC
141



Document title 12V SCHEMATIC VOLVO	Document No 21849527	Issue 09	Volume 1 (2)	Page 3 (110)
Document type PRODUCT SCHEMATIC				

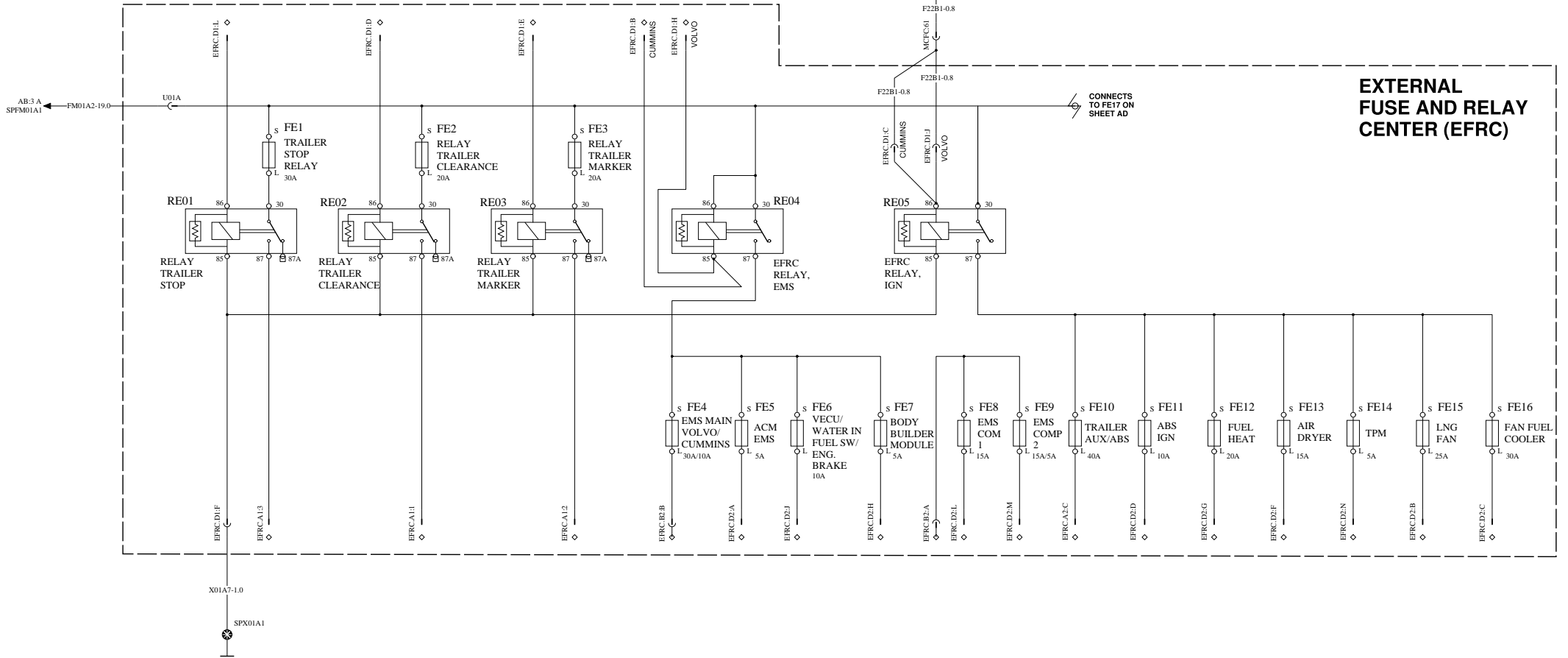
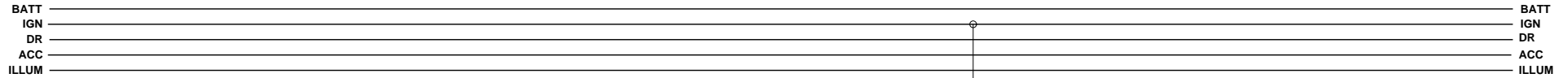
POWER SUPPLY, CIRCUIT PROTECTION 2/4

WIRING DIAGRAM :AB



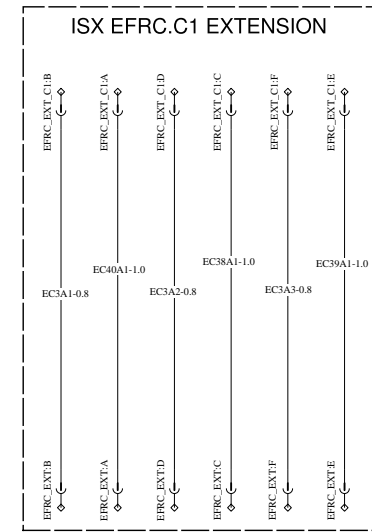
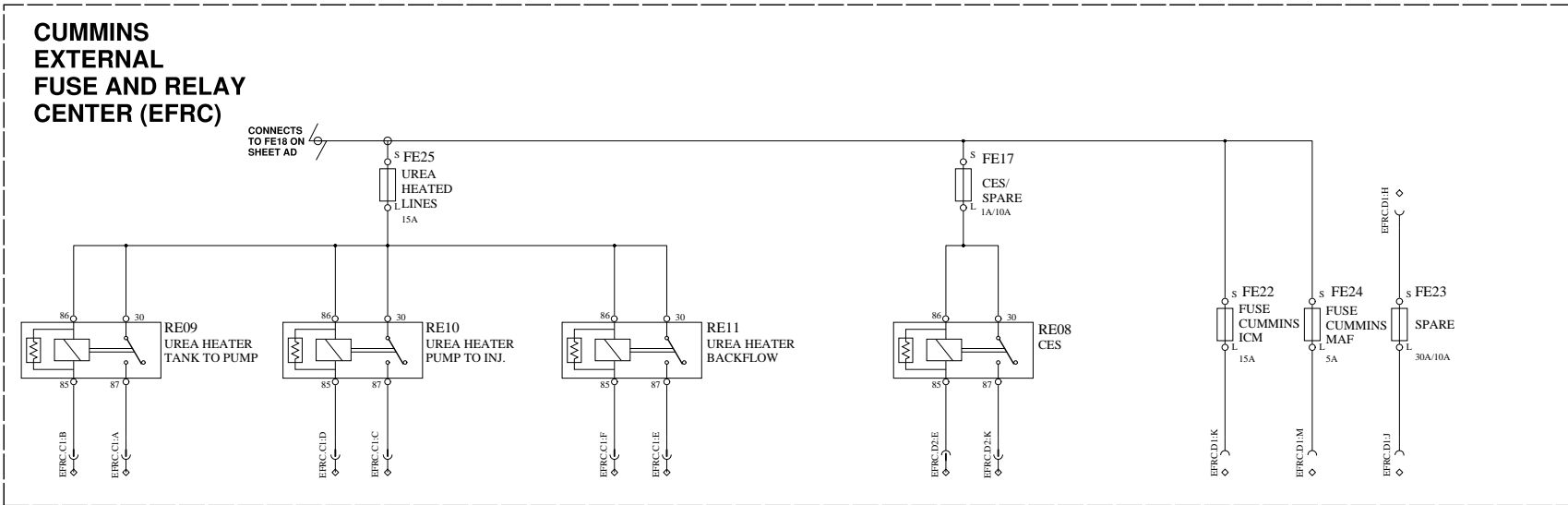
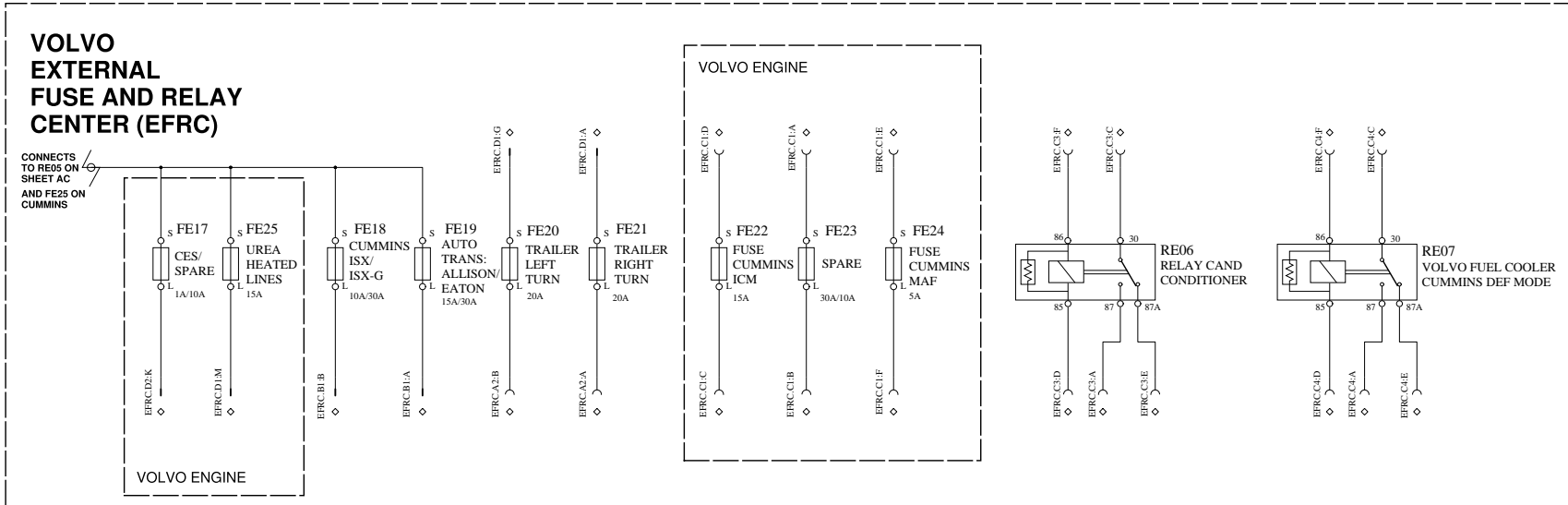
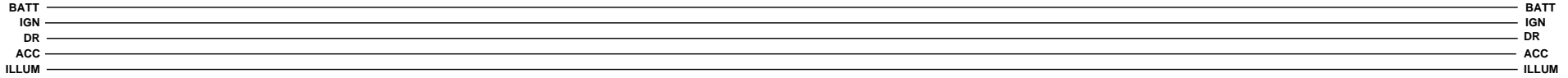
POWER SUPPLY, CIRCUIT PROTECTION 3/4 (EFRC)

WIRING DIAGRAM :AC



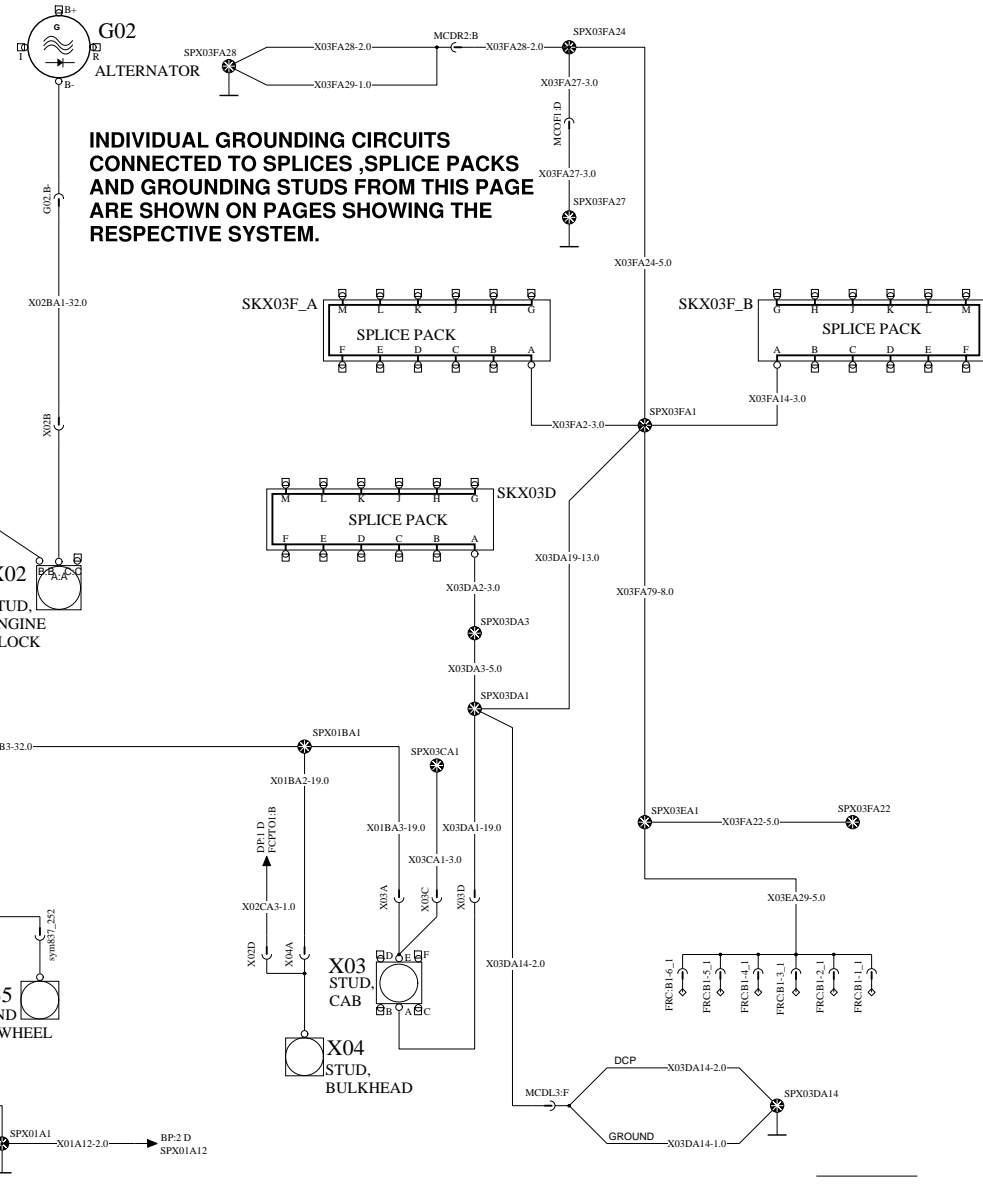
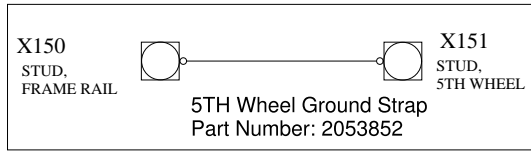
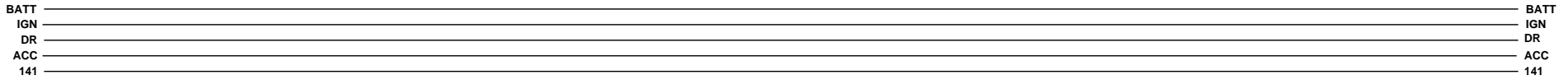
POWER SUPPLY, CIRCUIT PROTECTION 4/4 (EFRC)

WIRING DIAGRAM :AD



GROUNDING

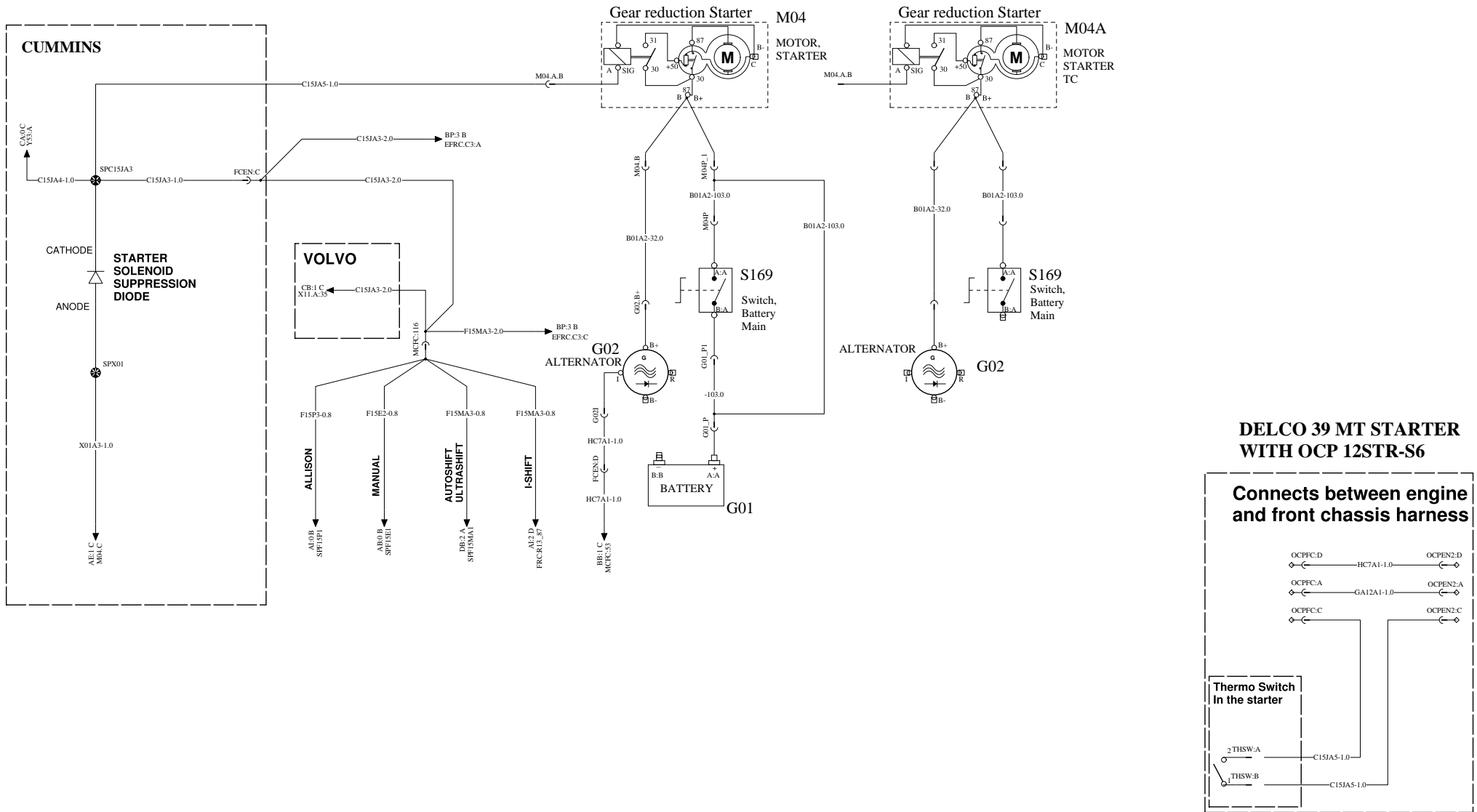
WIRING DIAGRAM :AE



STARTING AND CHARGING

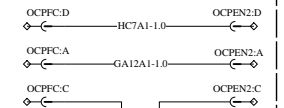
WIRING DIAGRAM :AF

BATT _____ BATT
 IGN _____ IGN
 DR _____ DR
 ACC _____ ACC
 ILLUM _____ ILLUM

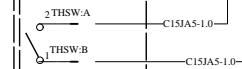


DELCO 39 MT STARTER WITH OCP 12STR-S6

Connects between engine and front chassis harness

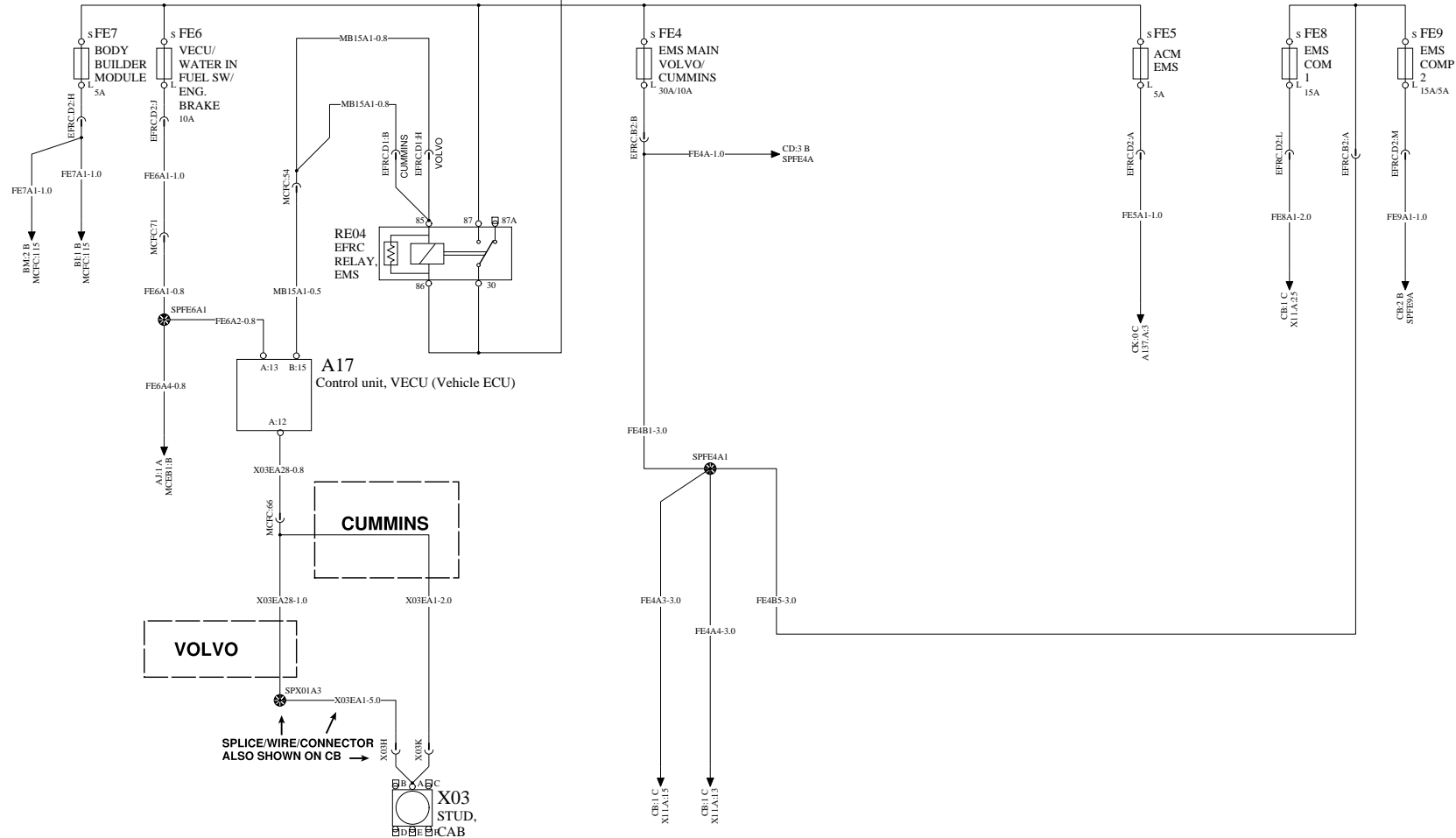
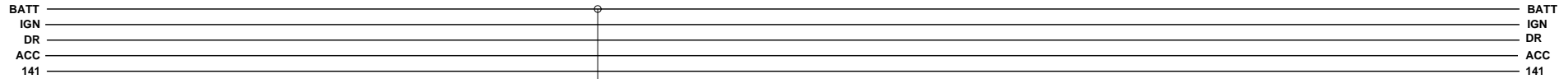


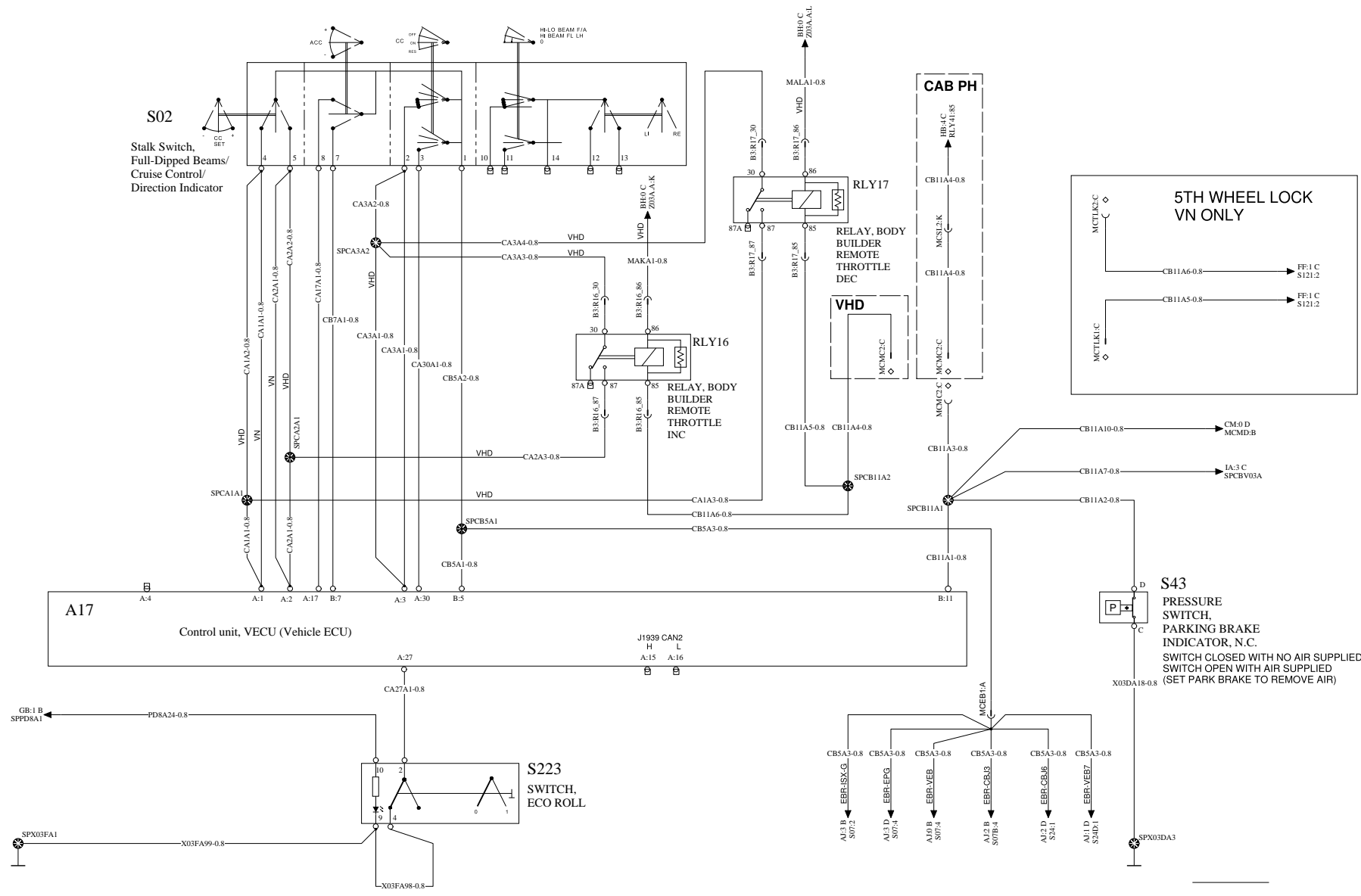
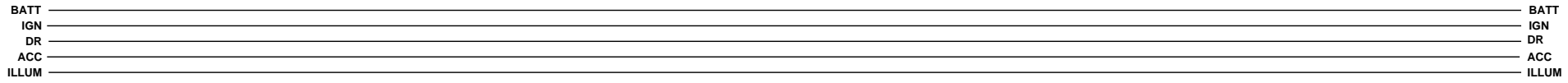
Thermo Switch In the starter



VEHICLE ECU 1/4 EMS POWER CONTROL

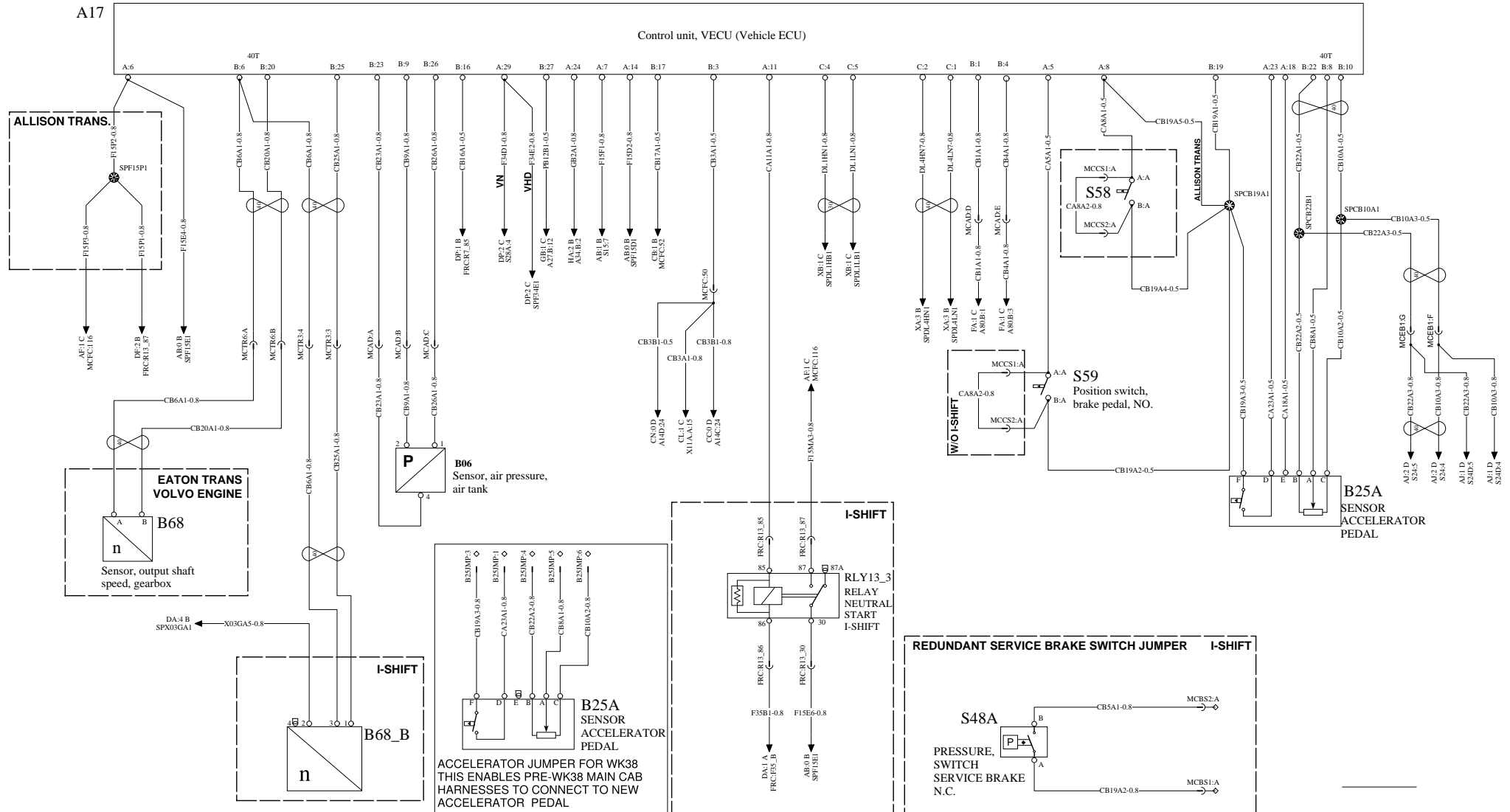
WIRING DIAGRAM :AG





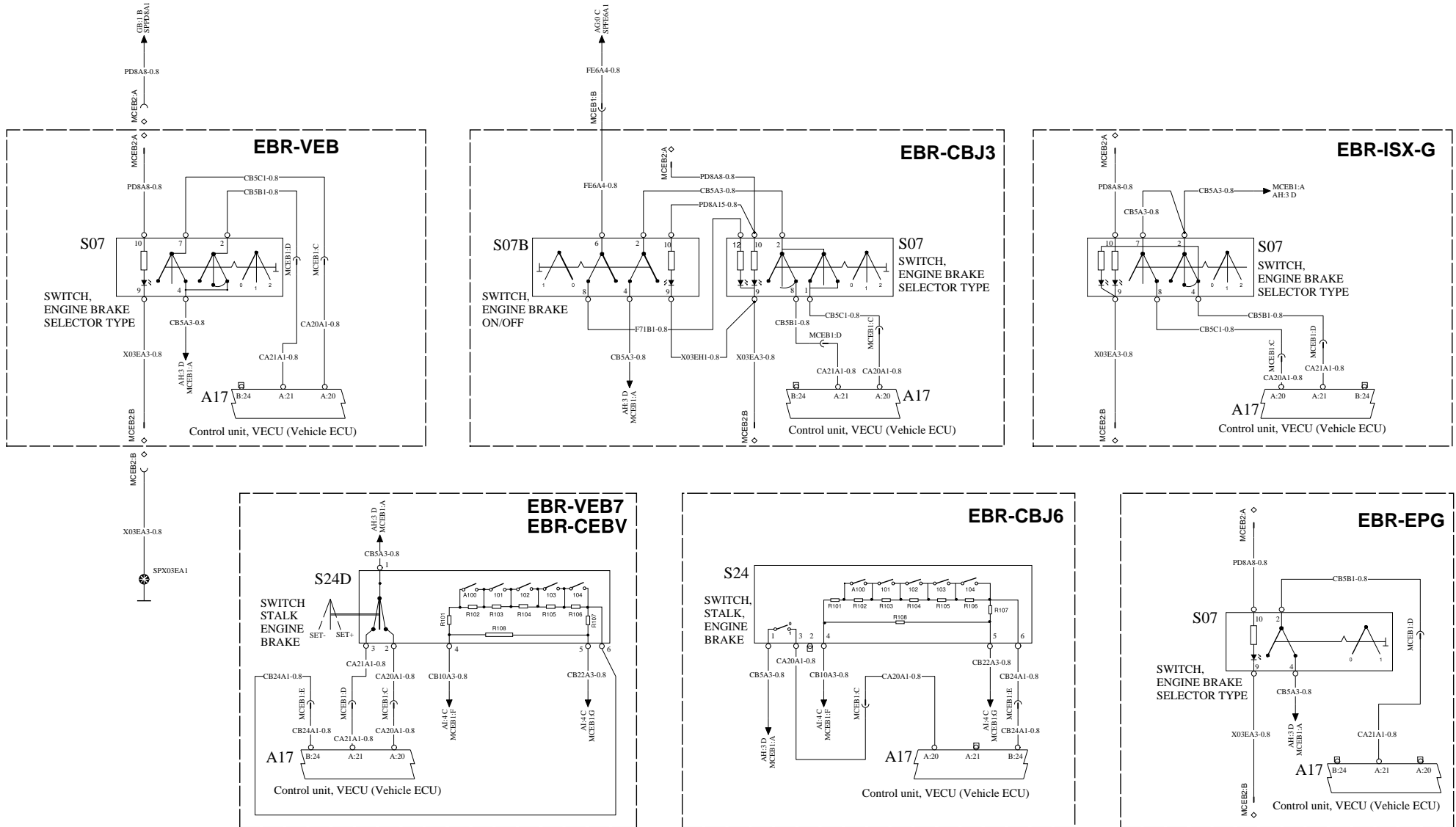
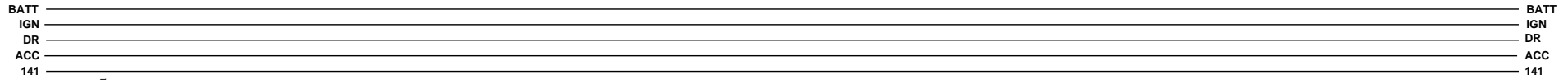
BATT _____
 IGN _____
 DR _____
 ACC _____
 141 _____

POWER SUPPLY ON SHEET AG

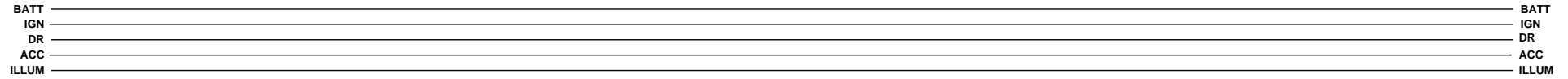


VEHICLE ECU 4/4 ENGINE BRAKE SWITCHES

WIRING DIAGRAM :AJ

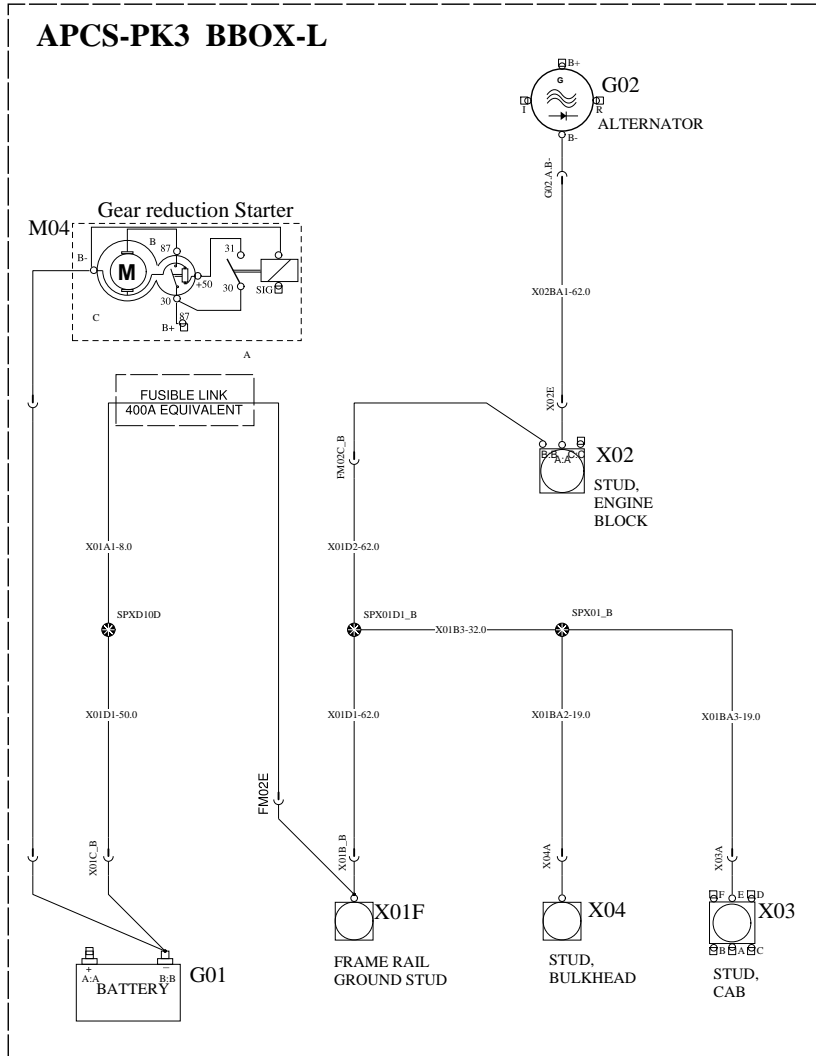


GROUNDING OPTIONS

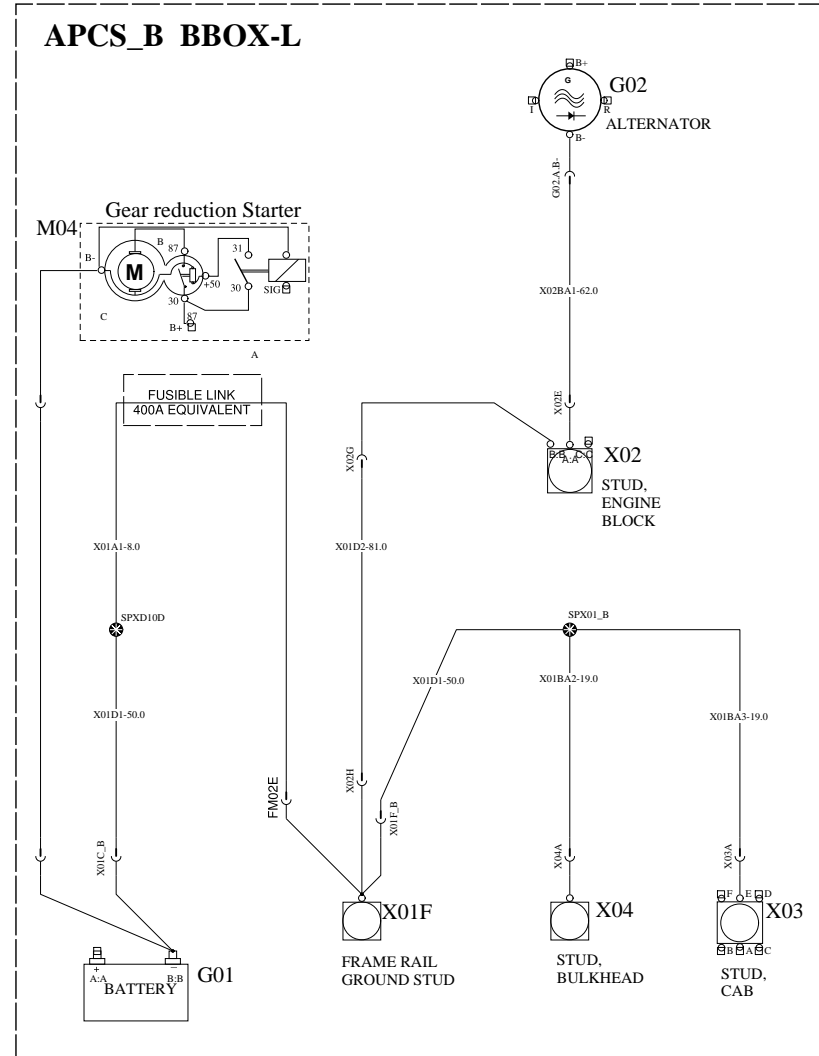


WIRING DIAGRAM :AL

APCS-PK3 BBOX-L

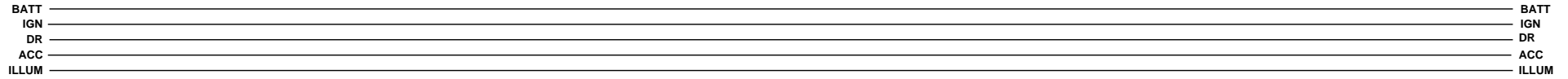


APCS_B BBOX-L

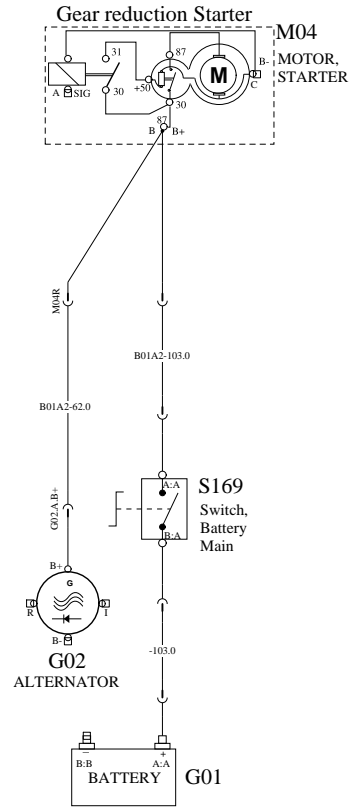


CHARGING AND POWER CABLES OPTIONS

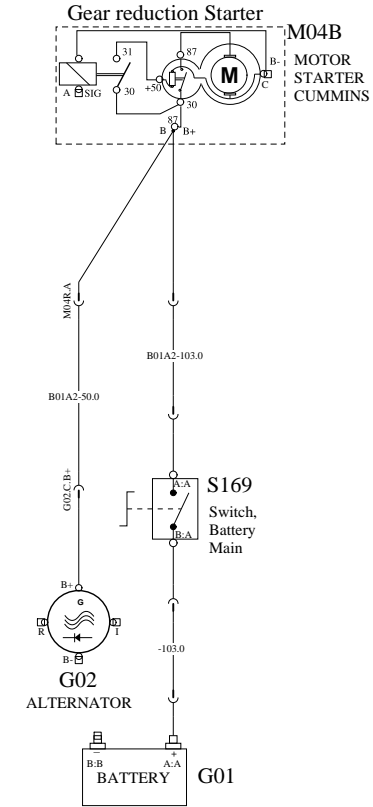
WIRING DIAGRAM :AM



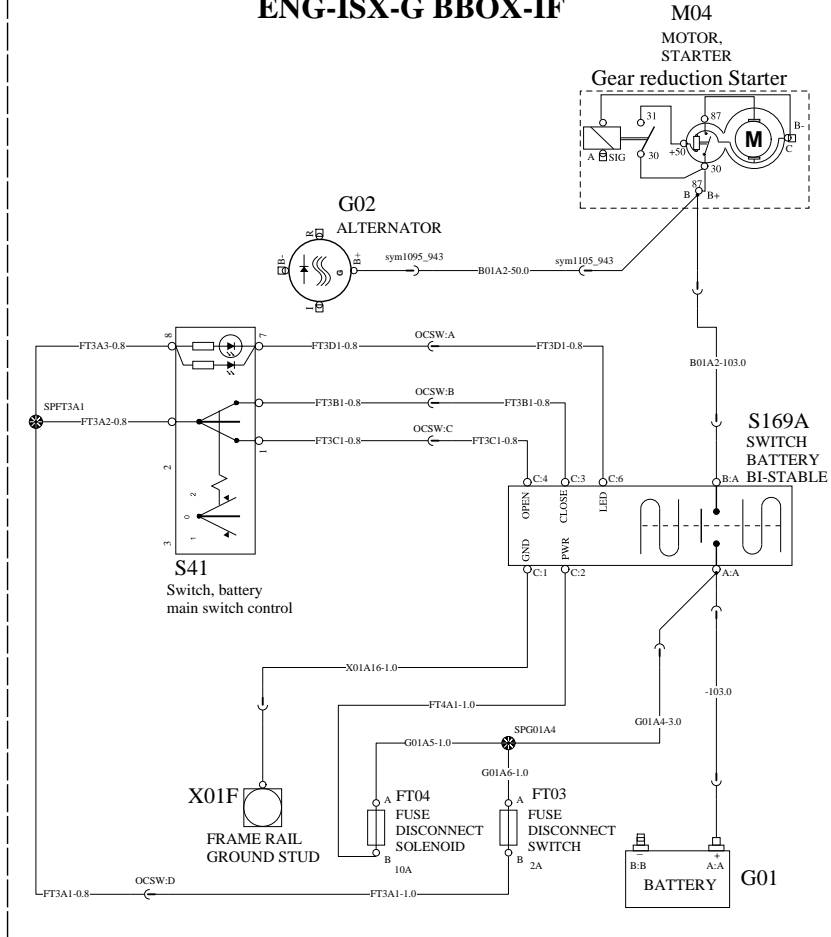
APCS-PK3 BBOX-L



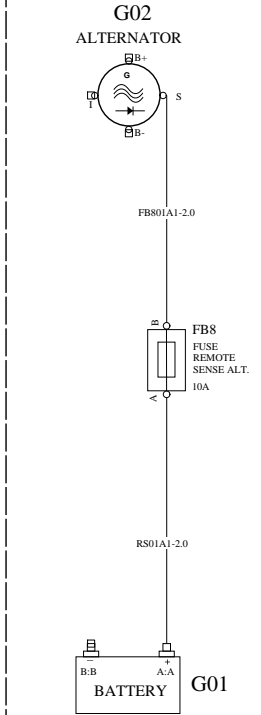
ENG-CU12/ENG-CU15 BBOX-IF



ENG-ISX-G BBOX-IF



REMOTE SENSE ALTERNATOR



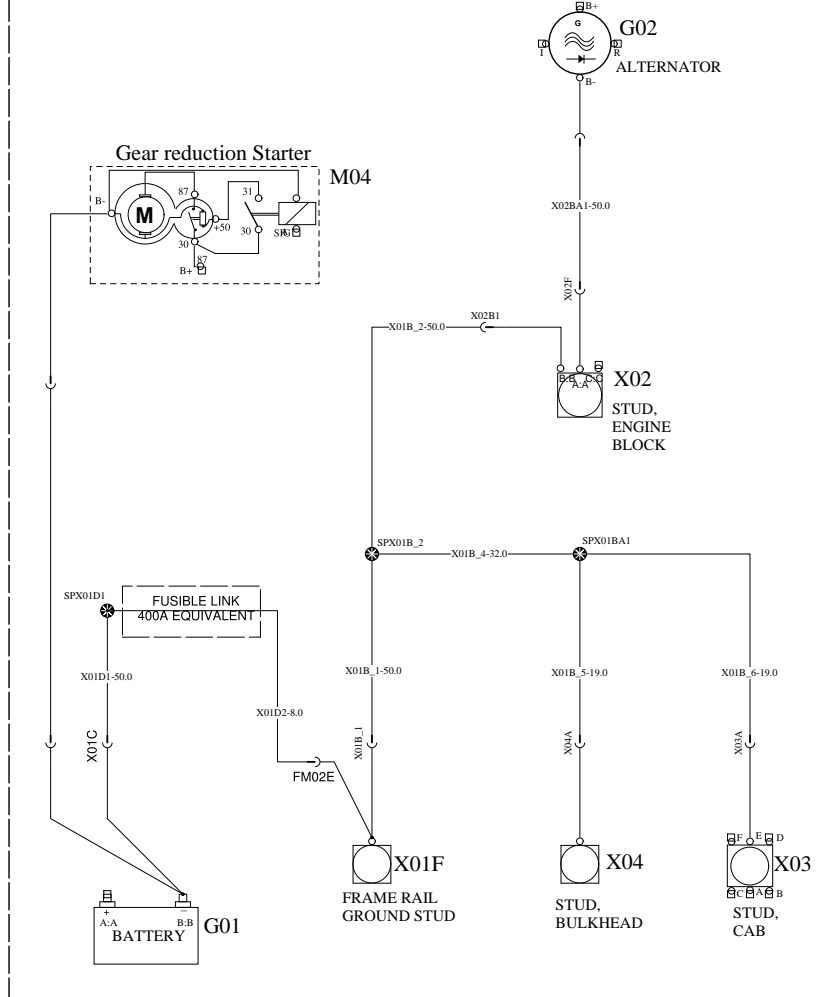
GROUNDING OPTIONS

BATT
IGN
DR
ACC
ILLUM

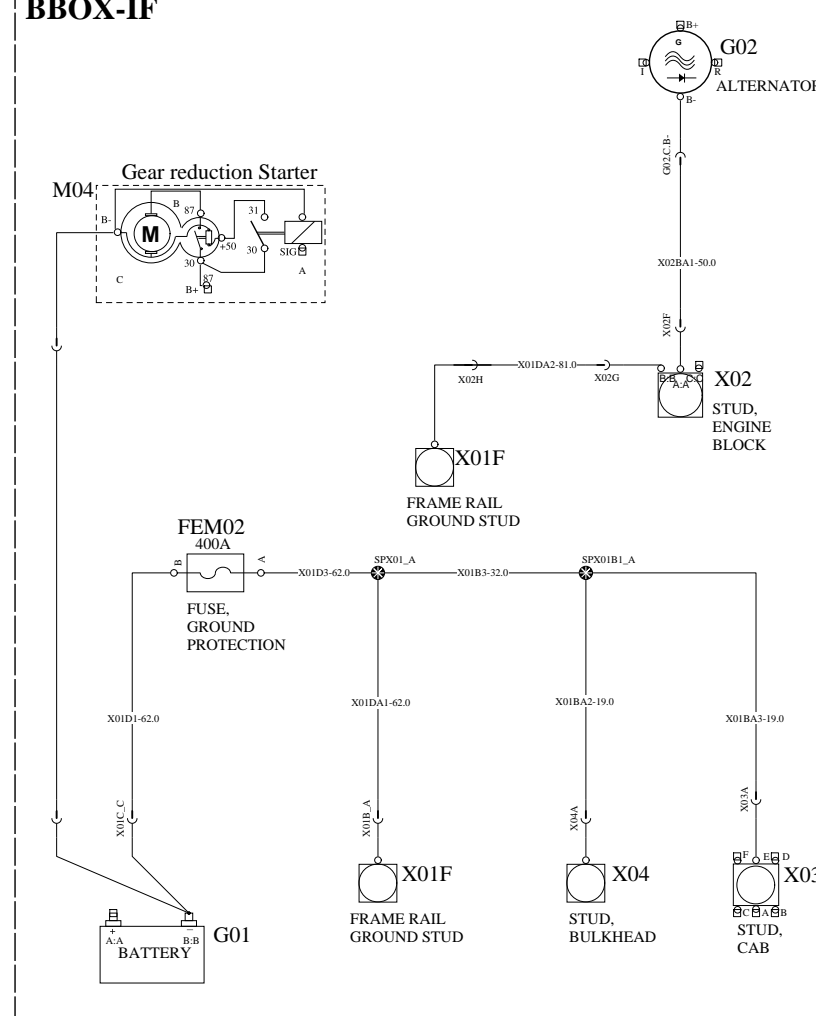
WIRING DIAGRAM :AN

BATT
IGN
DR
ACC
ILLUM

BBOX-RM, BBOX-LB

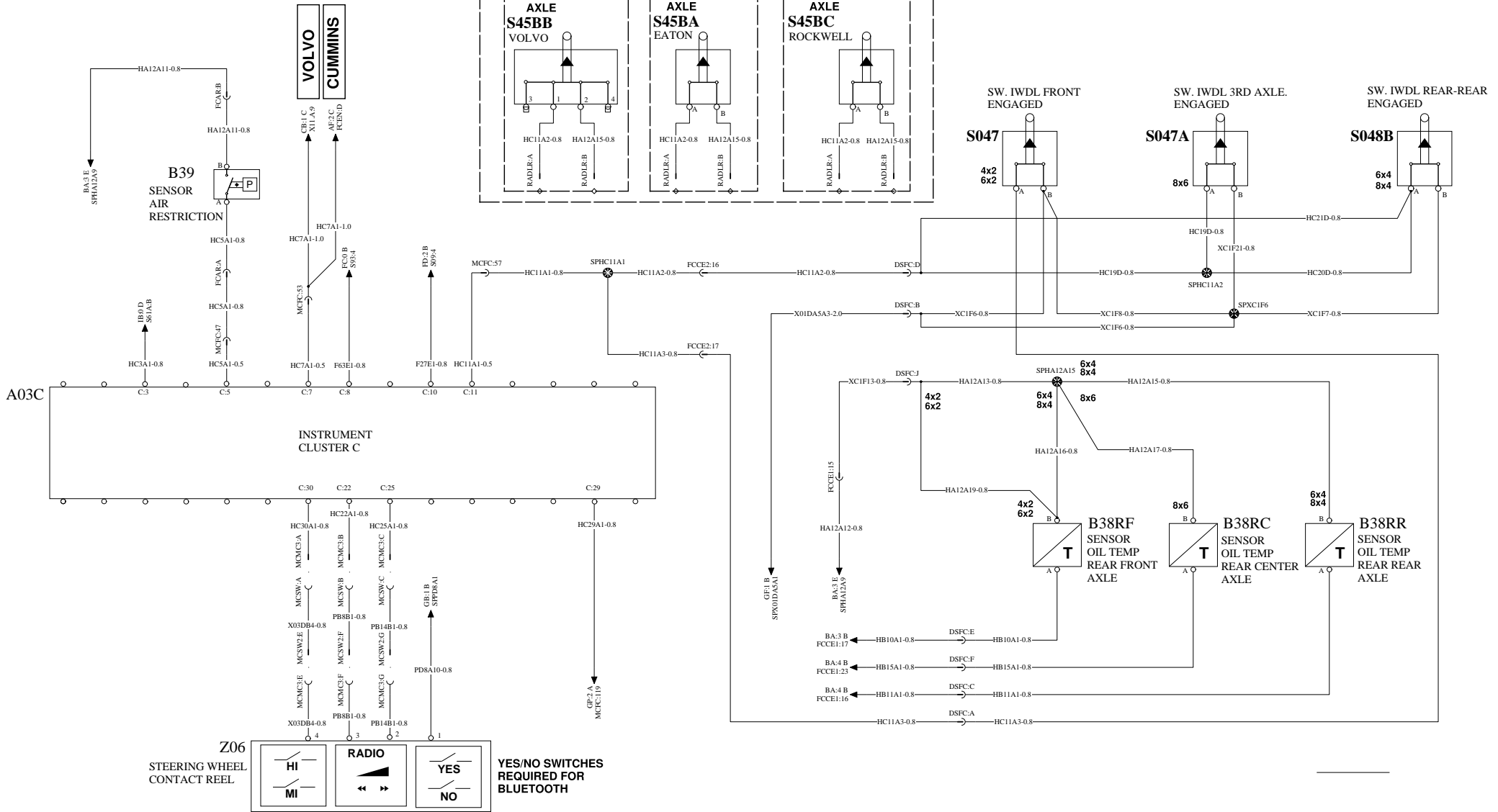
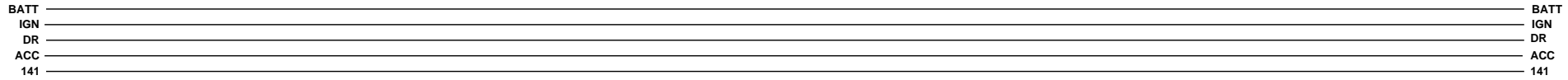


BBOX-IF



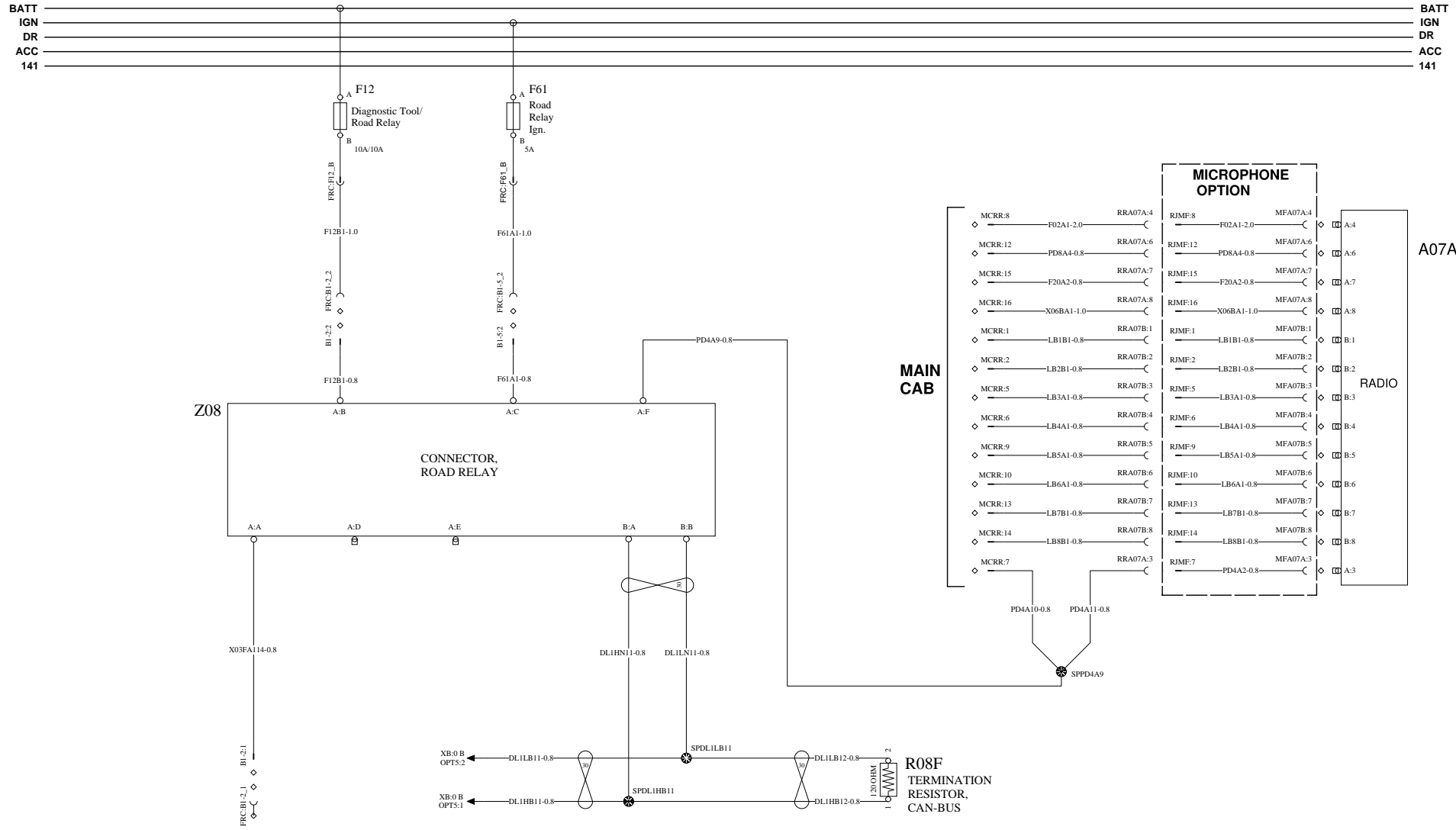
INSTRUMENTATION CLUSTER C

WIRING DIAGRAM :BB



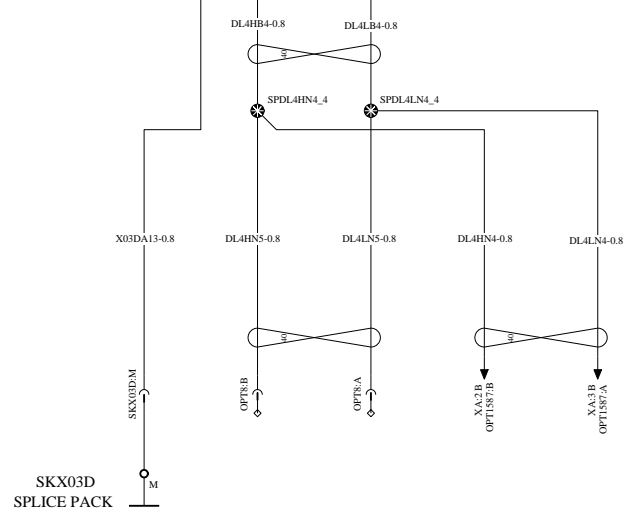
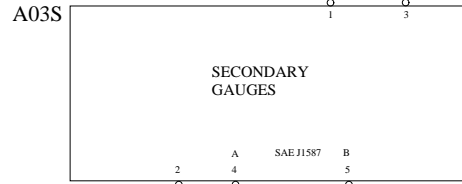
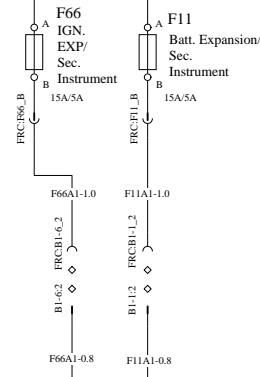
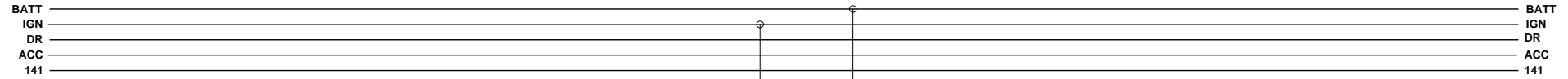
INSTRUMENTATION ROAD RELAY

WIRING DIAGRAM :BC



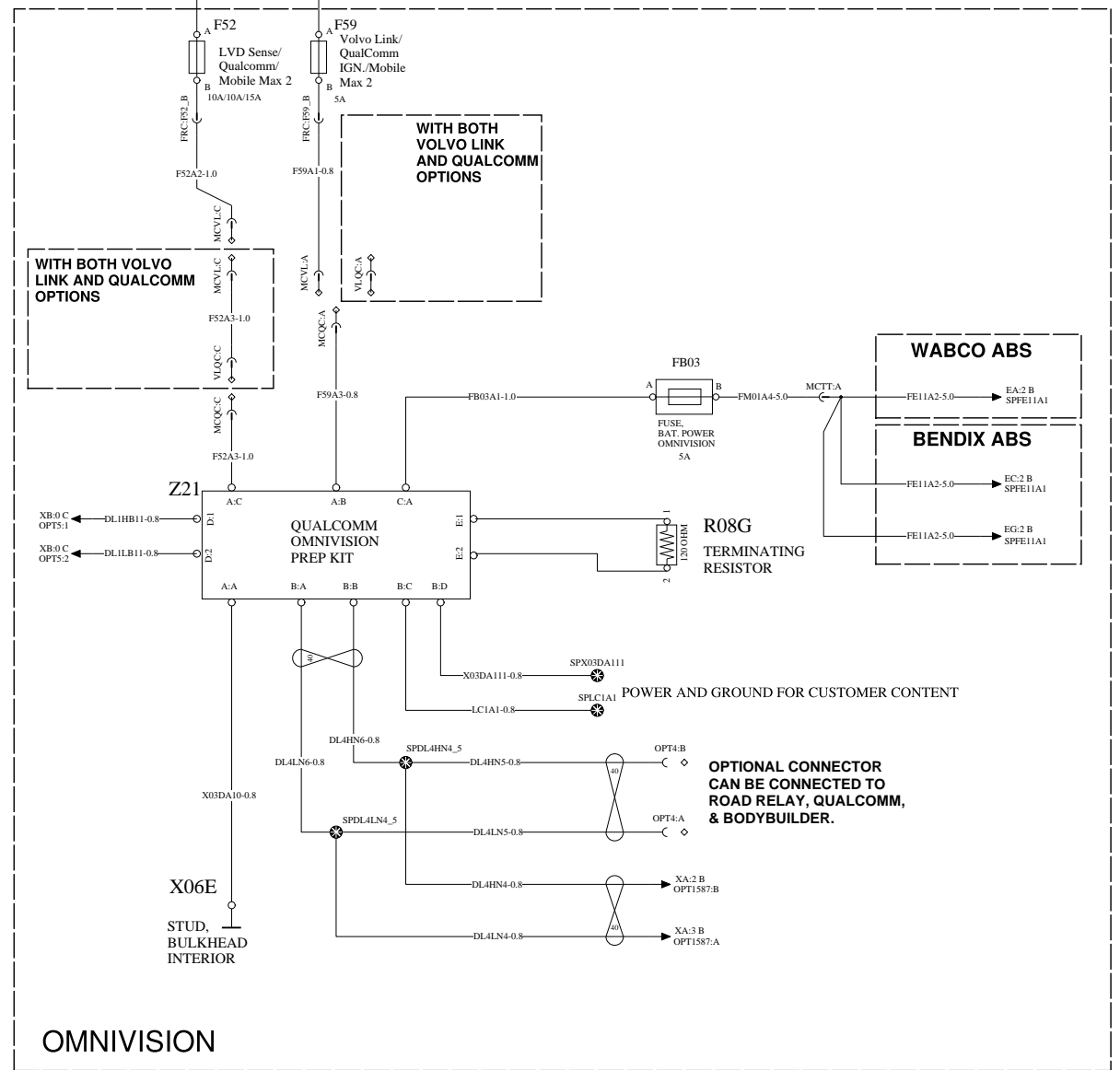
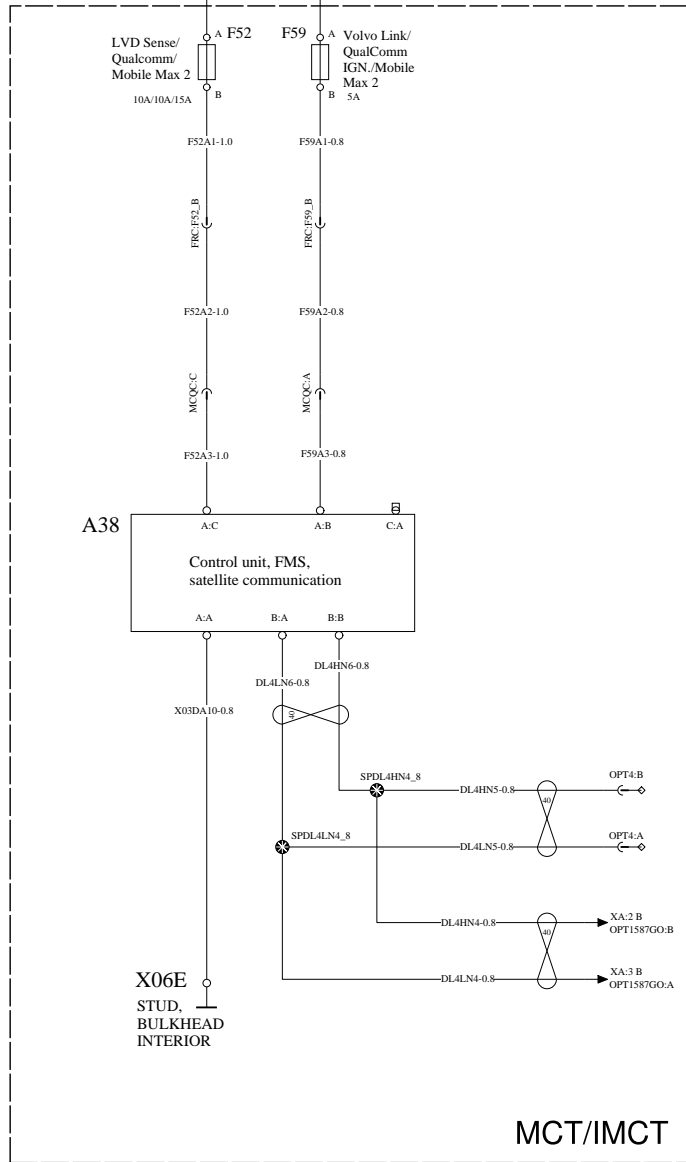
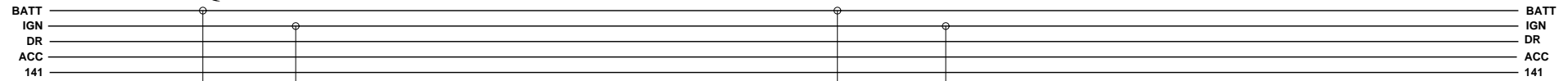
INSTRUMENTATION OPTIONAL GAUGES

WIRING DIAGRAM :BD



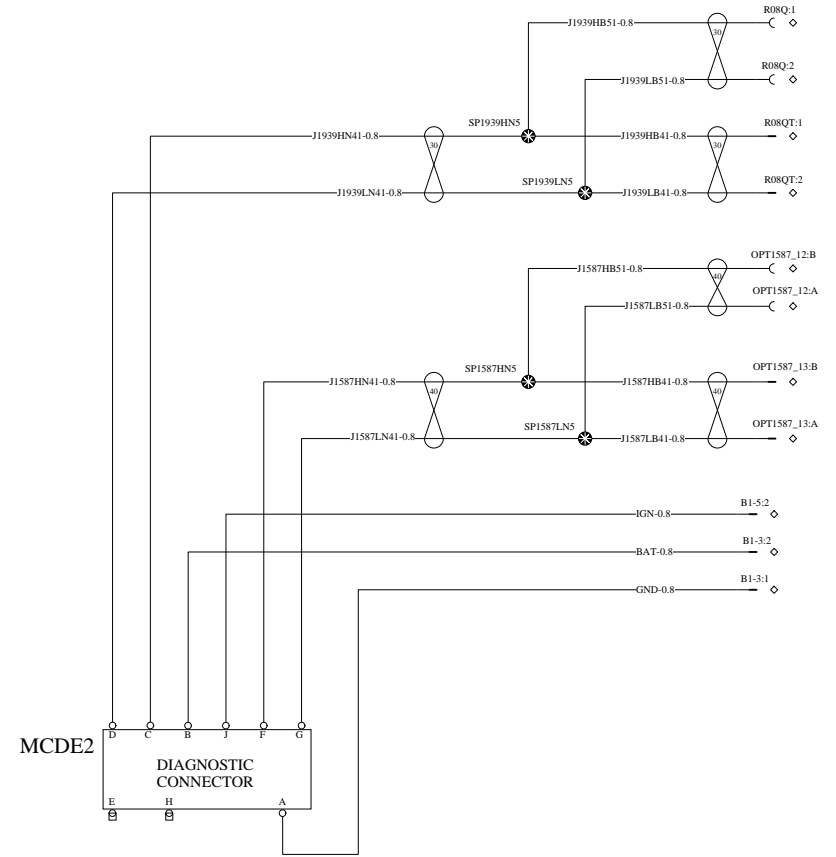
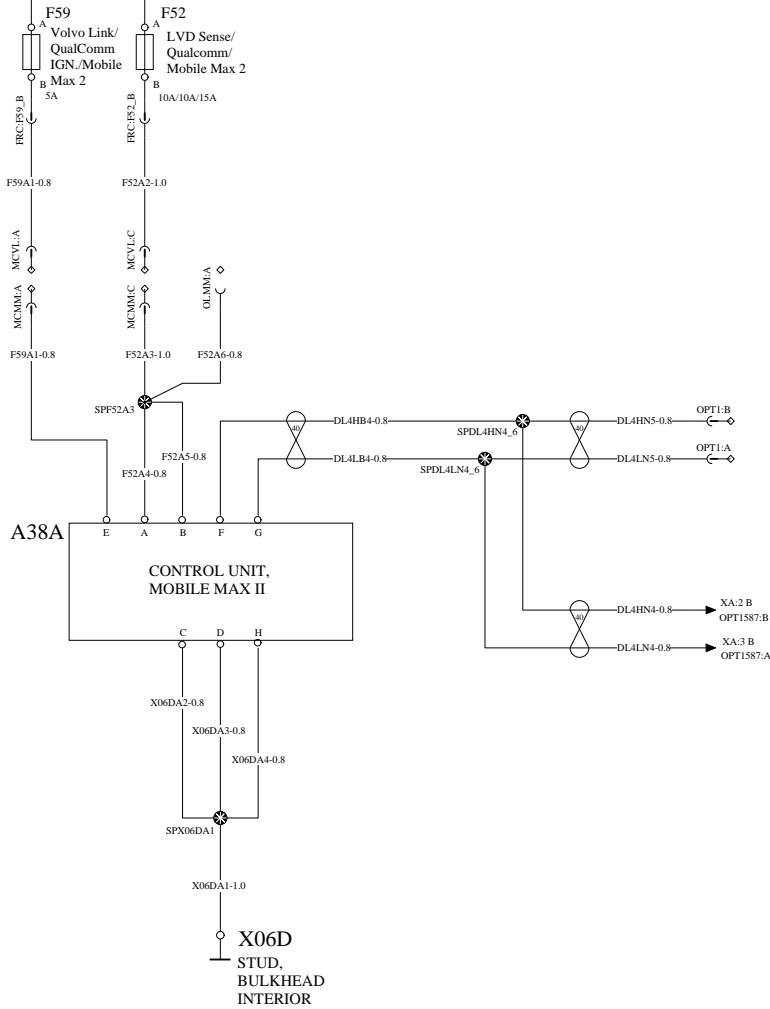
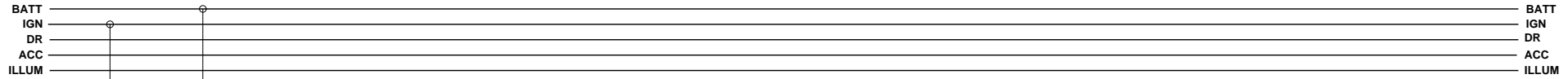
COMMUNICATIONS QUALCOMM/OMNIVISION

WIRING DIAGRAM :BE



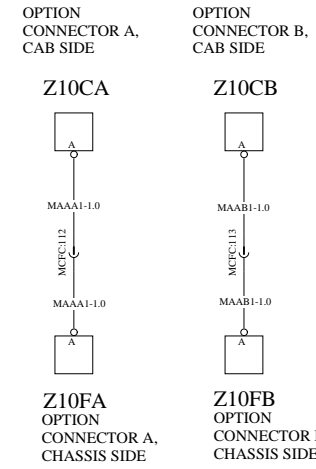
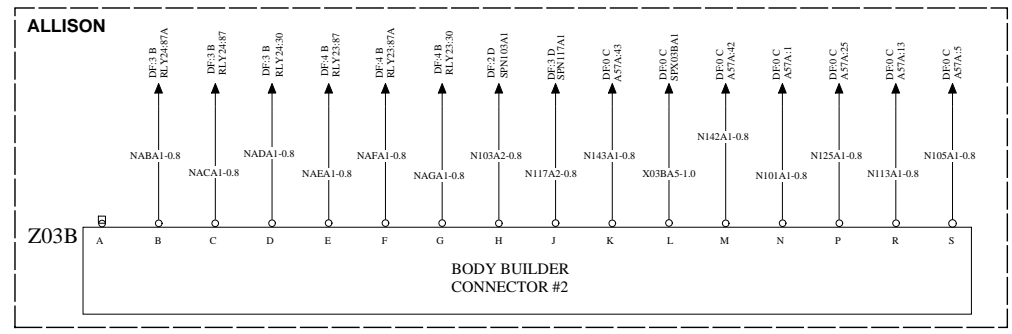
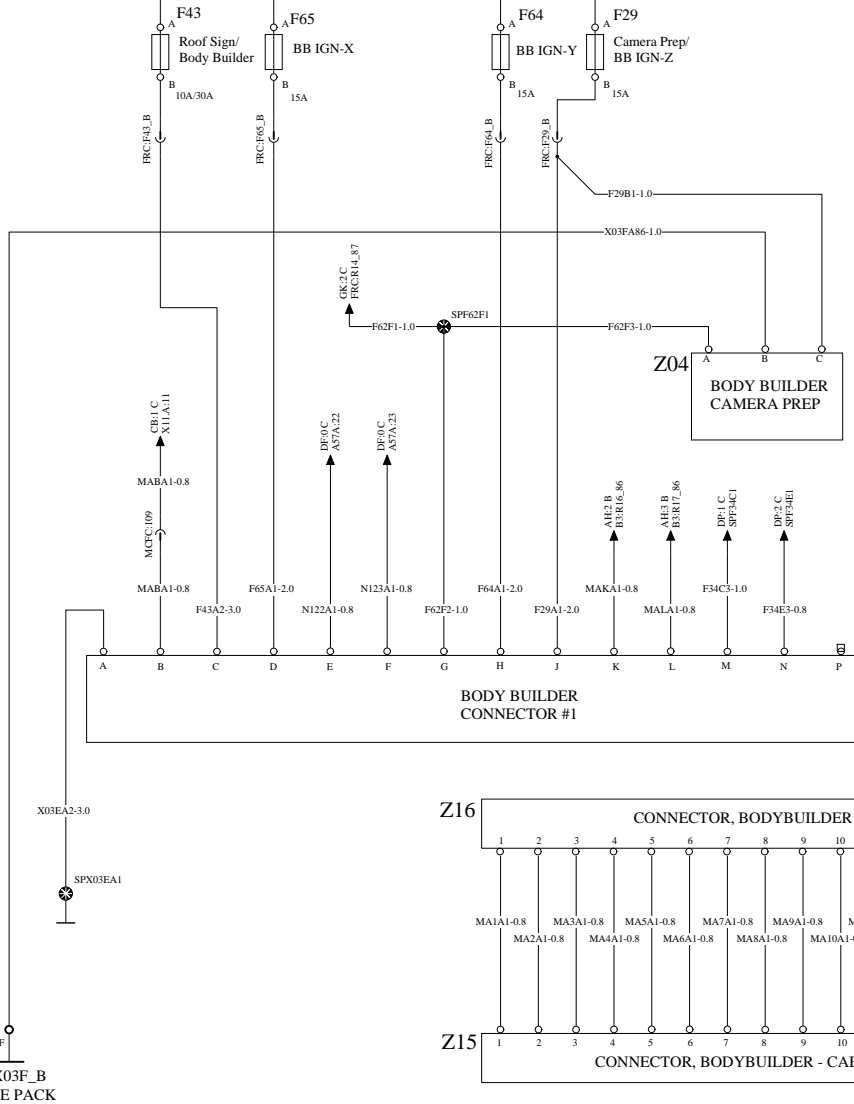
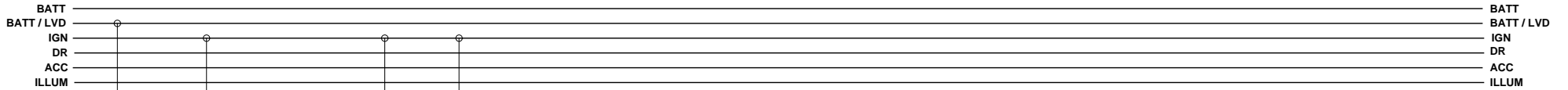
COMMUNICATIONS MOBILE MAX II

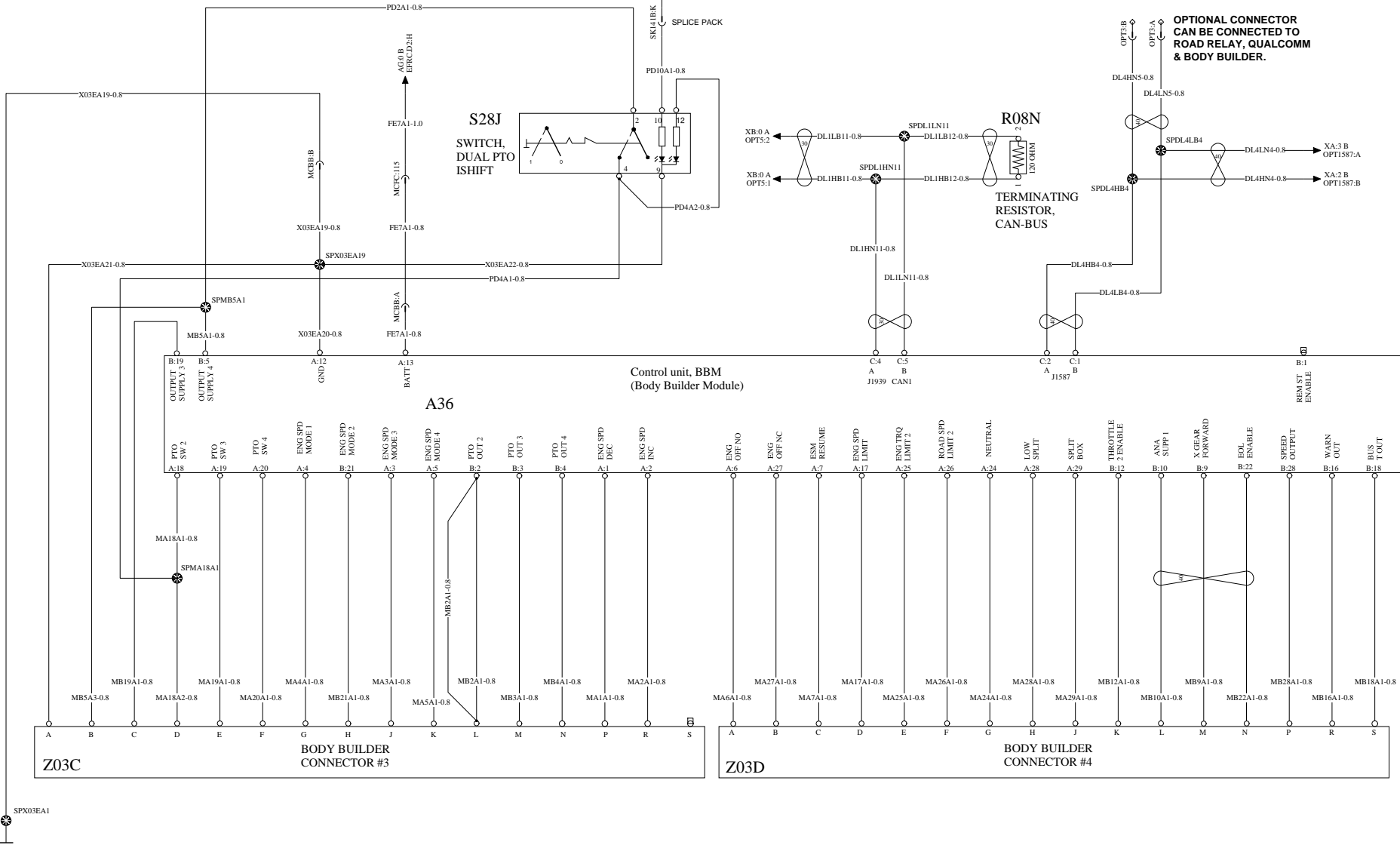
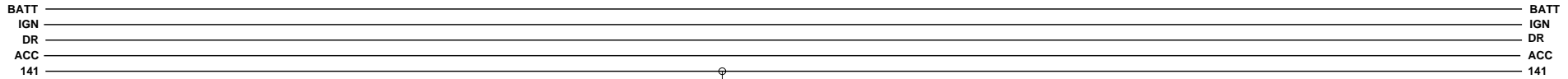
WIRING DIAGRAM :BG



BODYBUILDER

WIRING DIAGRAM :BH





OPTIONAL CONNECTOR
CAN BE CONNECTED TO
ROAD RELAY, QUALCOMM
& BODY BUILDER.

Control unit, BBM
(Body Builder Module)

A36

Z03C

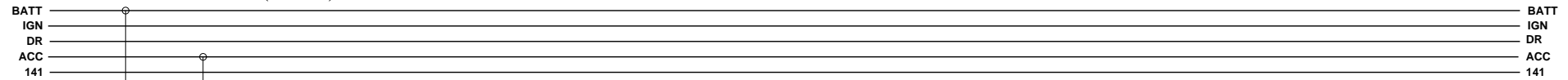
BODY BUILDER
CONNECTOR #3

Z03D

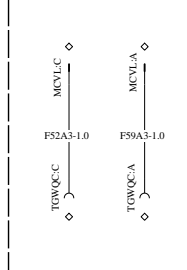
BODY BUILDER
CONNECTOR #4

TELEMATICS GATEWAY (TGW)

WIRING DIAGRAM :BJ

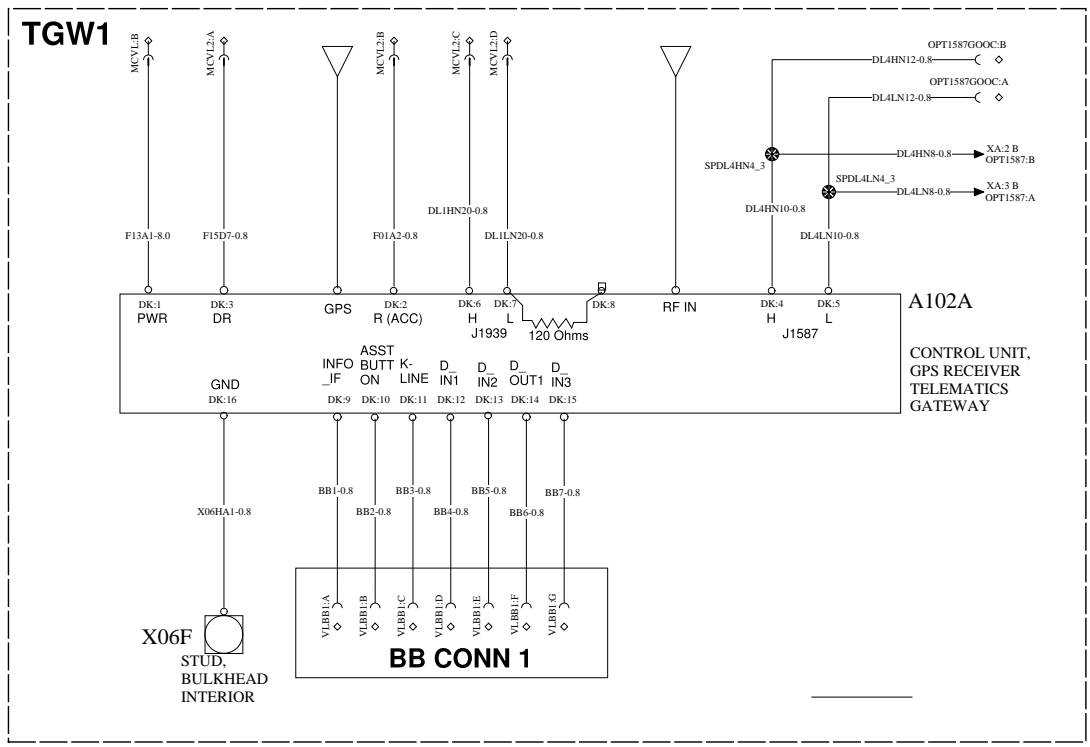
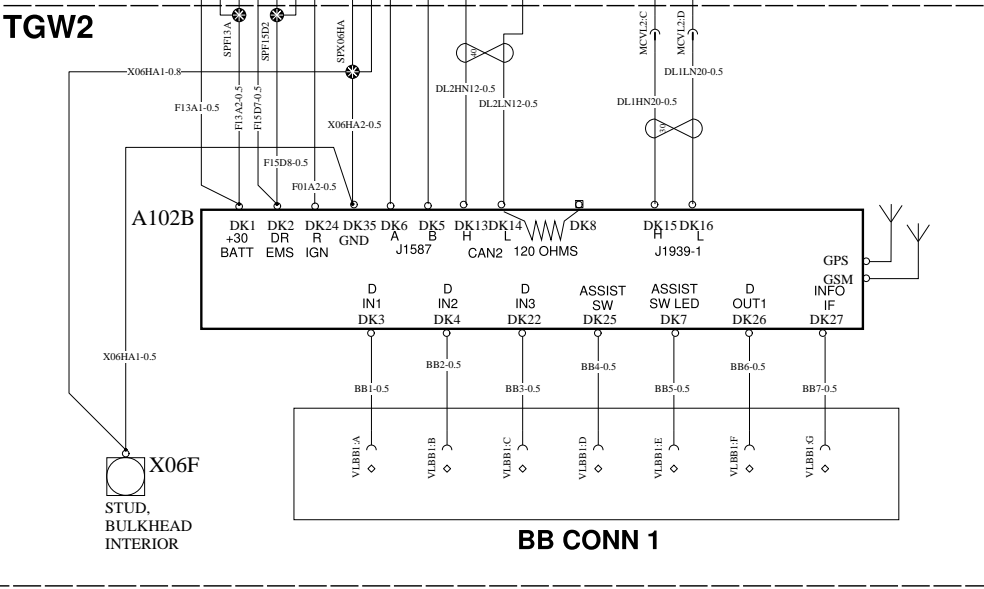


**PASS THRU WIRES
NEEDED FOR TRUCKS
W/ BOTH QUALCOMM
AND TGW OPTIONS**



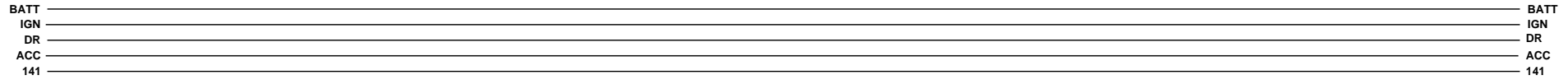
**OPTIONAL CONNECTOR
CAN BE CONNECTED TO
ROAD RELAY, QUALCOMM,
AND BODYBUILDER**

**Z23
CONNECTOR
TGW2
PROGRAM**

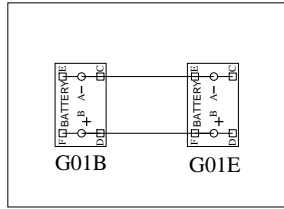


BATTERY BUSSING

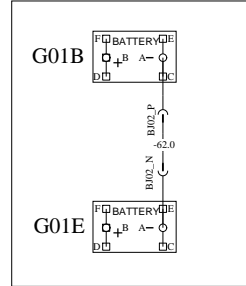
WIRING DIAGRAM :BL



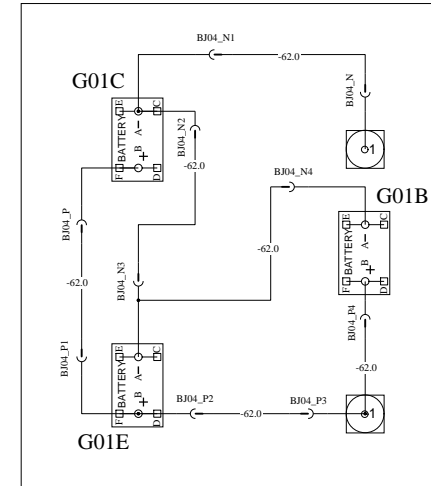
BATTB-N W/ 2 BATTERIES
BUSS BARS



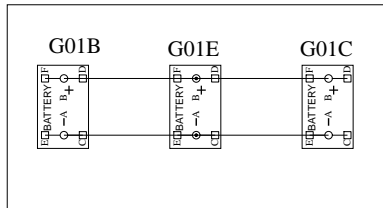
BATTB-S W/2 BATTERIES
CABLES FOR JUMPERS



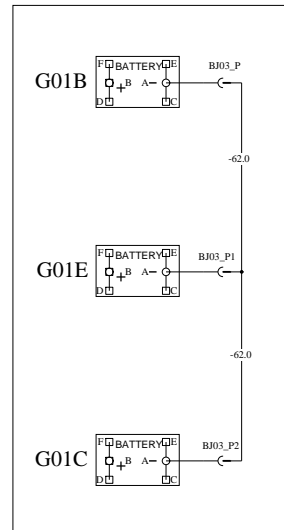
BATTB-SS W/ 3 BATTERIES
CABLES FOR JUMPERS



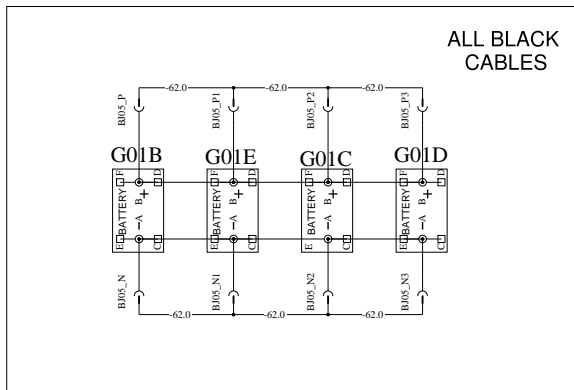
BATTB-N W/ 3 BATTERIES
BUSS BARS



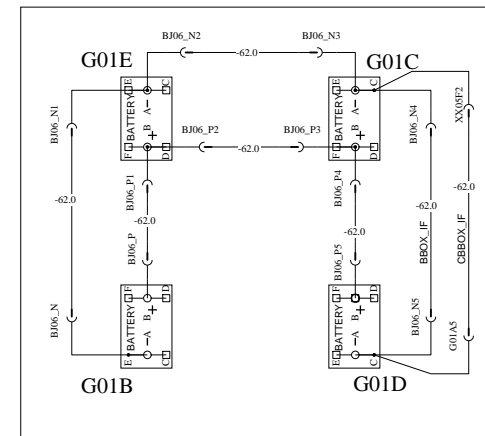
BATTB-S W/ 3 BATTERIES
CABLES FOR JUMPERS



BATTB-N W/ 4 BATTERIES BUSS BARS
BATTB-N W/ 4 BATTERIES FOR JUMPERS



BBOX_IF / CBBOX_IF CABLES FOR JUMPERS

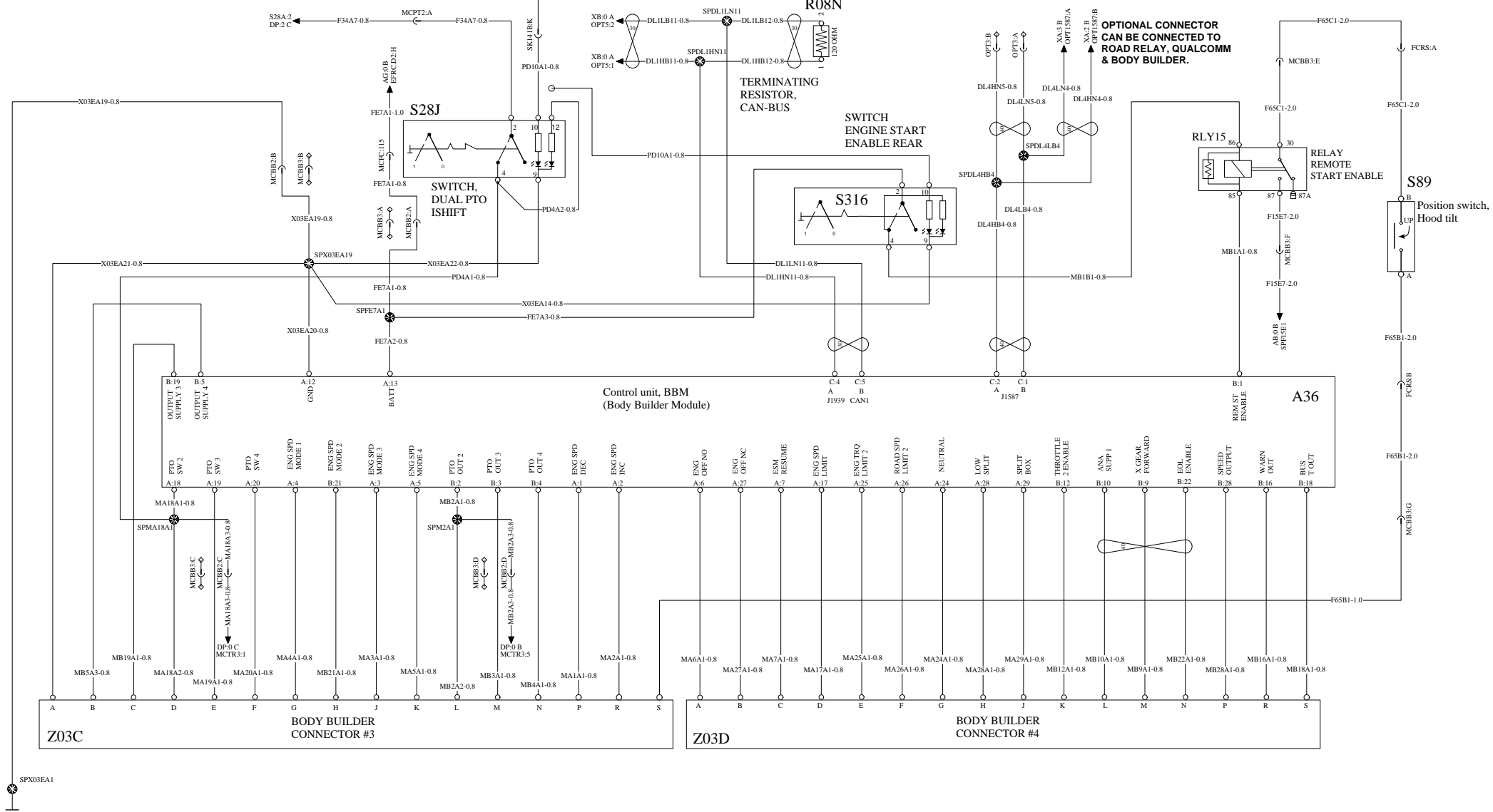


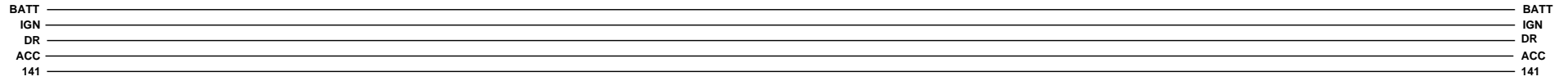
BODYBUILDER MODULE 2016

WIRING DIAGRAM: BM

BATT
IGN
DR
ACC
141

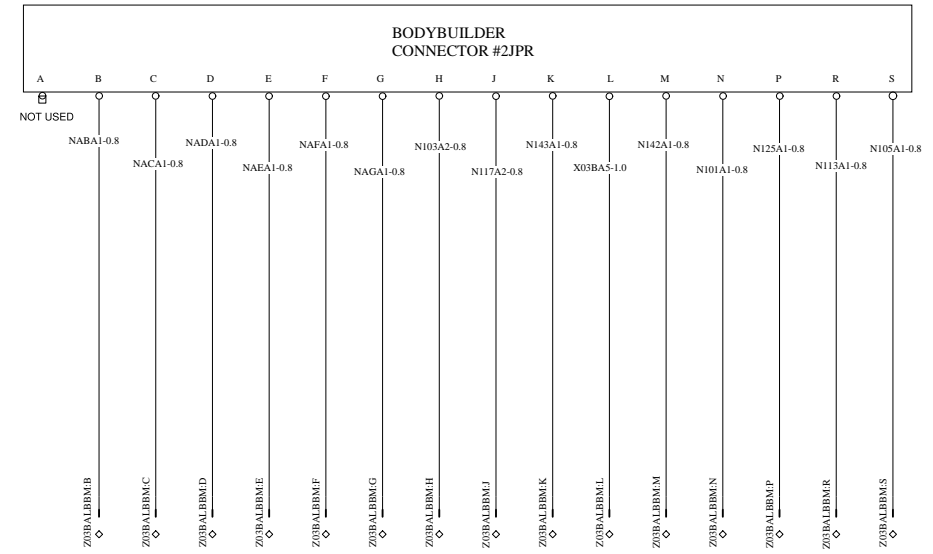
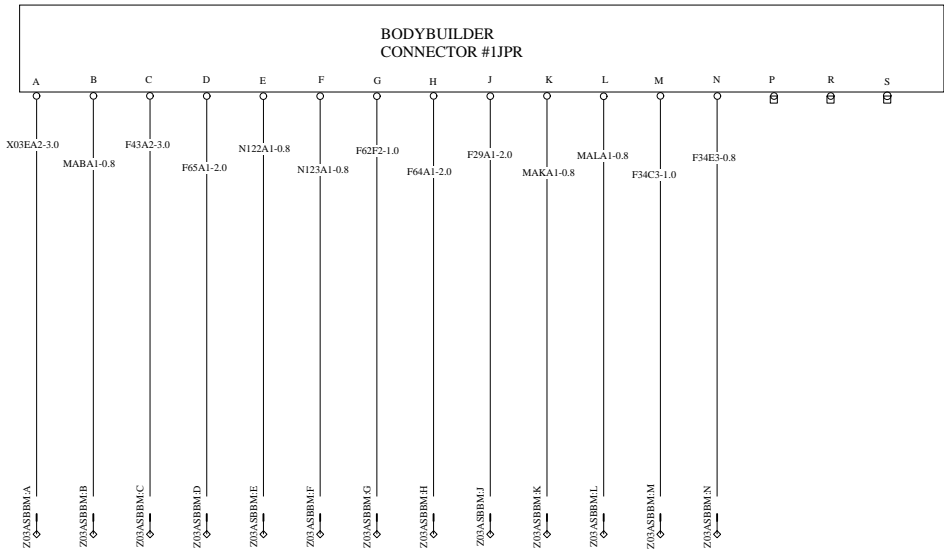
BATT
IGN
DR
ACC
141





Z03AJ

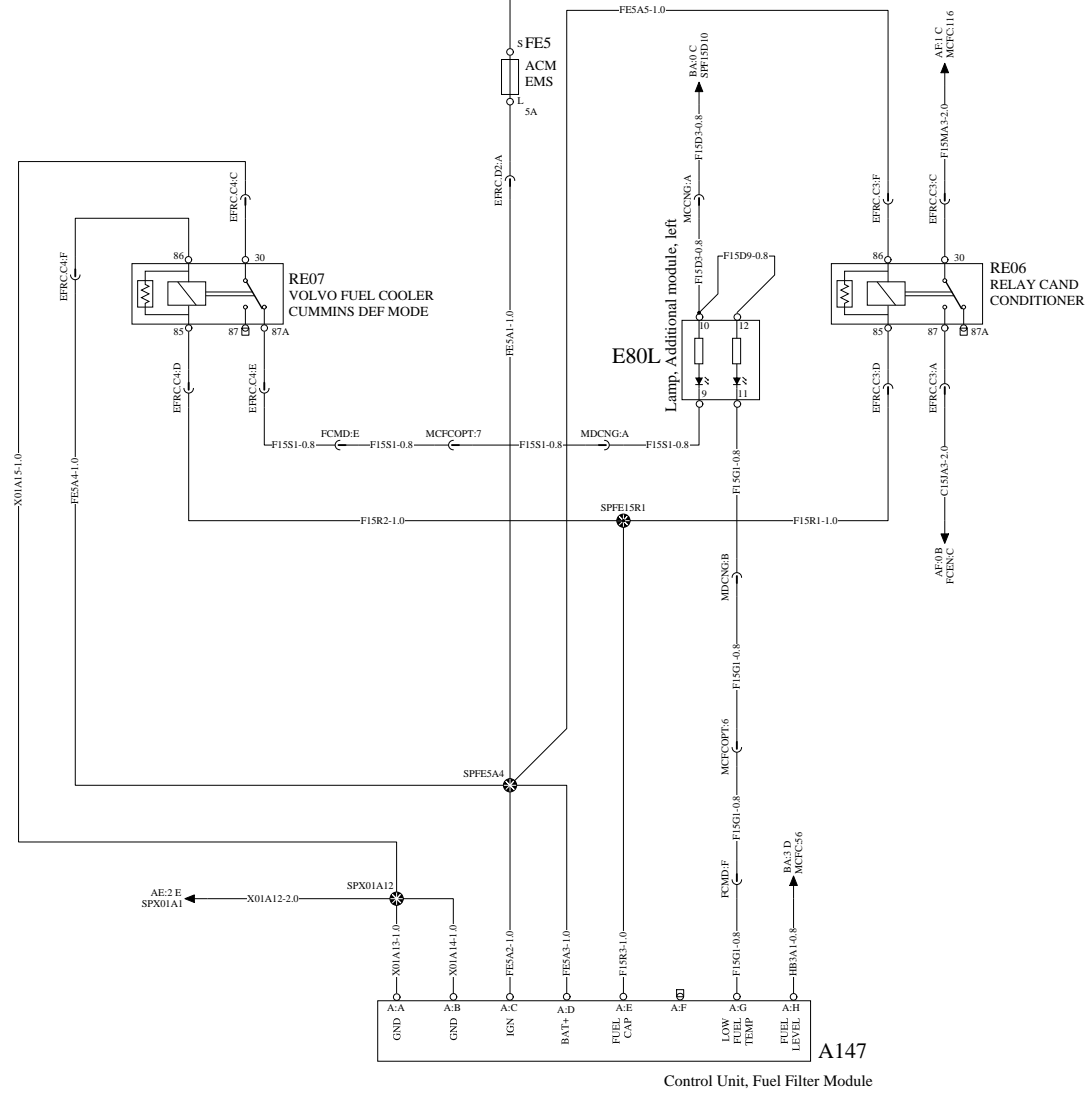
Z03BJ



ISX-G FUEL SYSTEM

WIRING DIAGRAM - BP

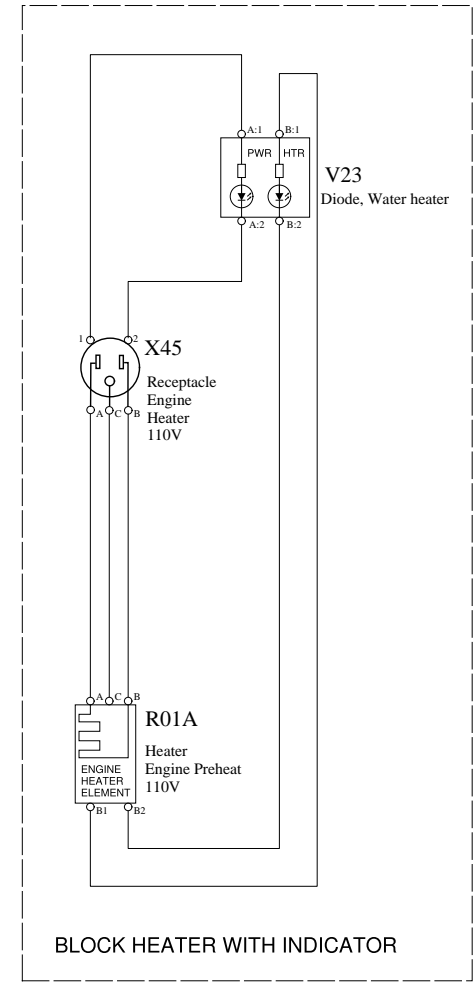
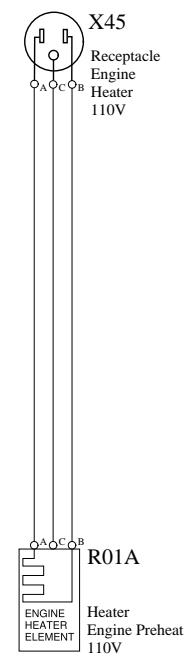
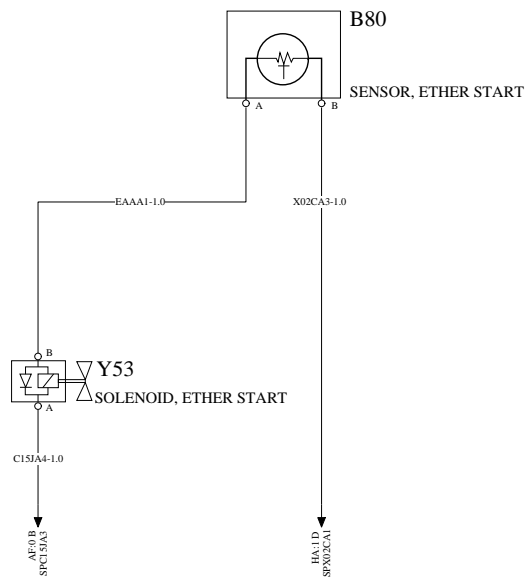
BATT
IGN
DR
ACC
ILLUM



EITHER START/ENGINE HEATER

WIRING DIAGRAM :CA

BATT
IGN
DR
ACC
141

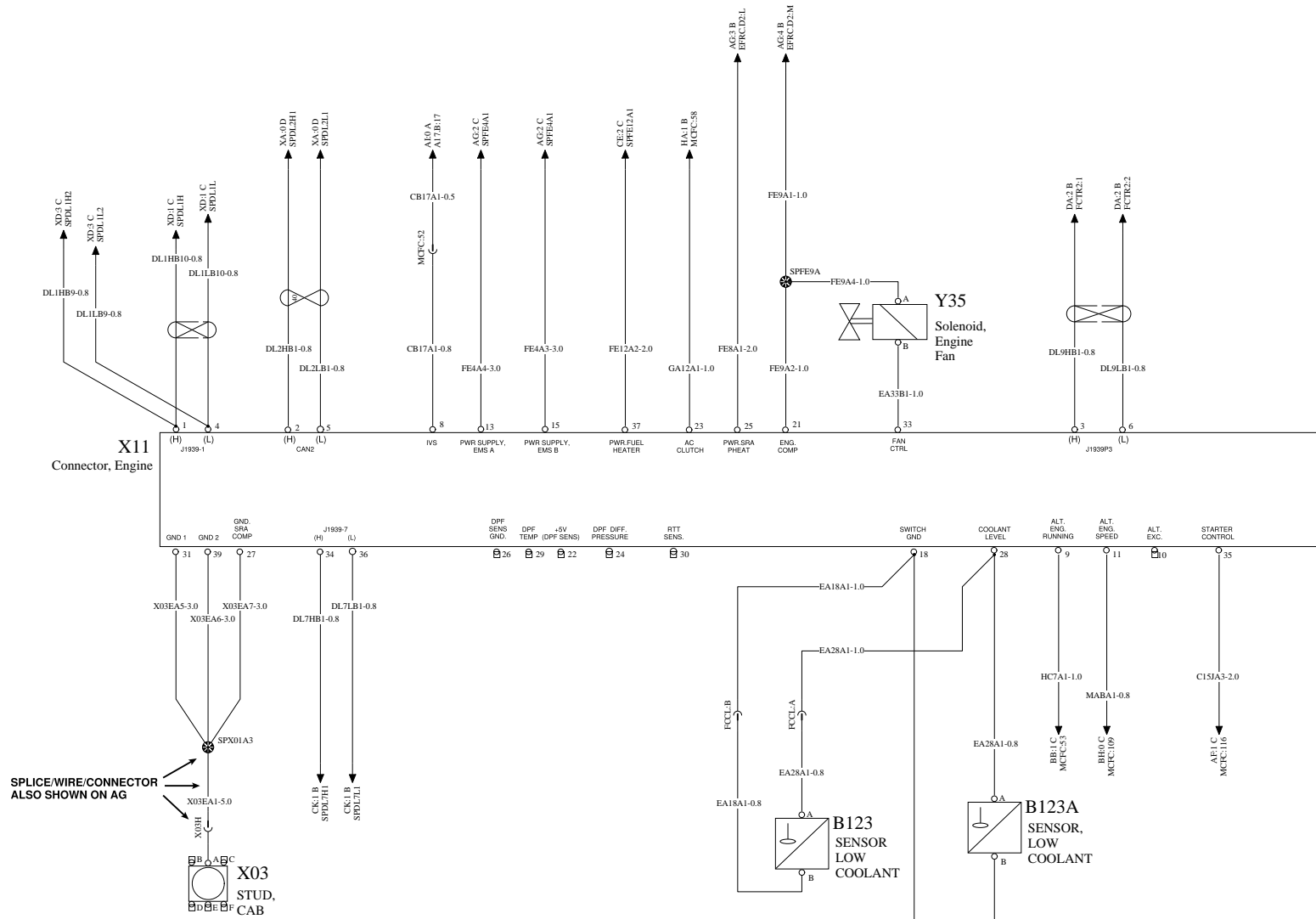


BLOCK HEATER WITH INDICATOR

ENGINE CONTROL VOLVO ENGINE

WIRING DIAGRAM:CB

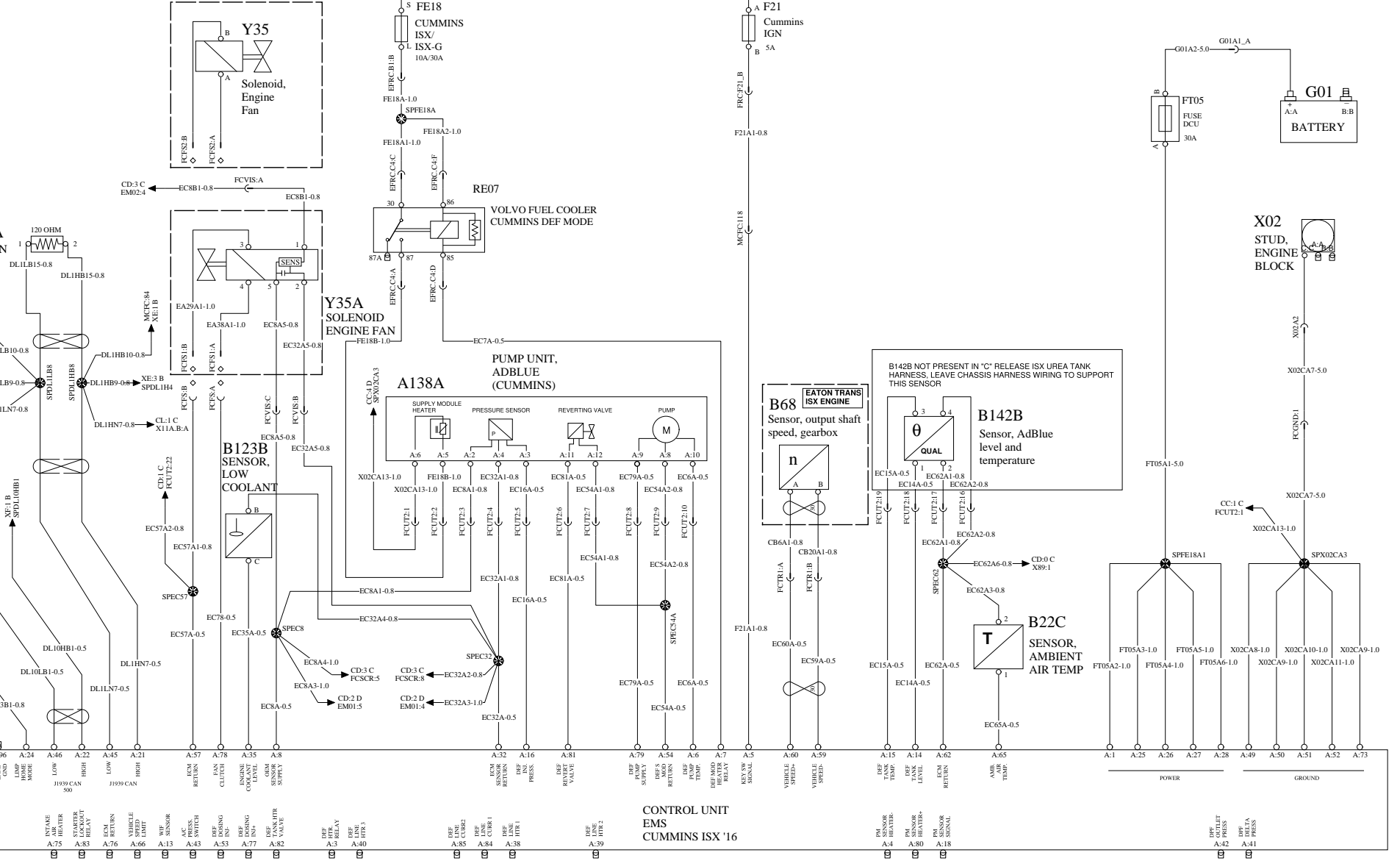
BATT
IGN
DR
ACC
141



ENGINE CONTROL ISX US13 1/2

WIRING DIAGRAM: CC

BATT
IGN
DR
ACC
141



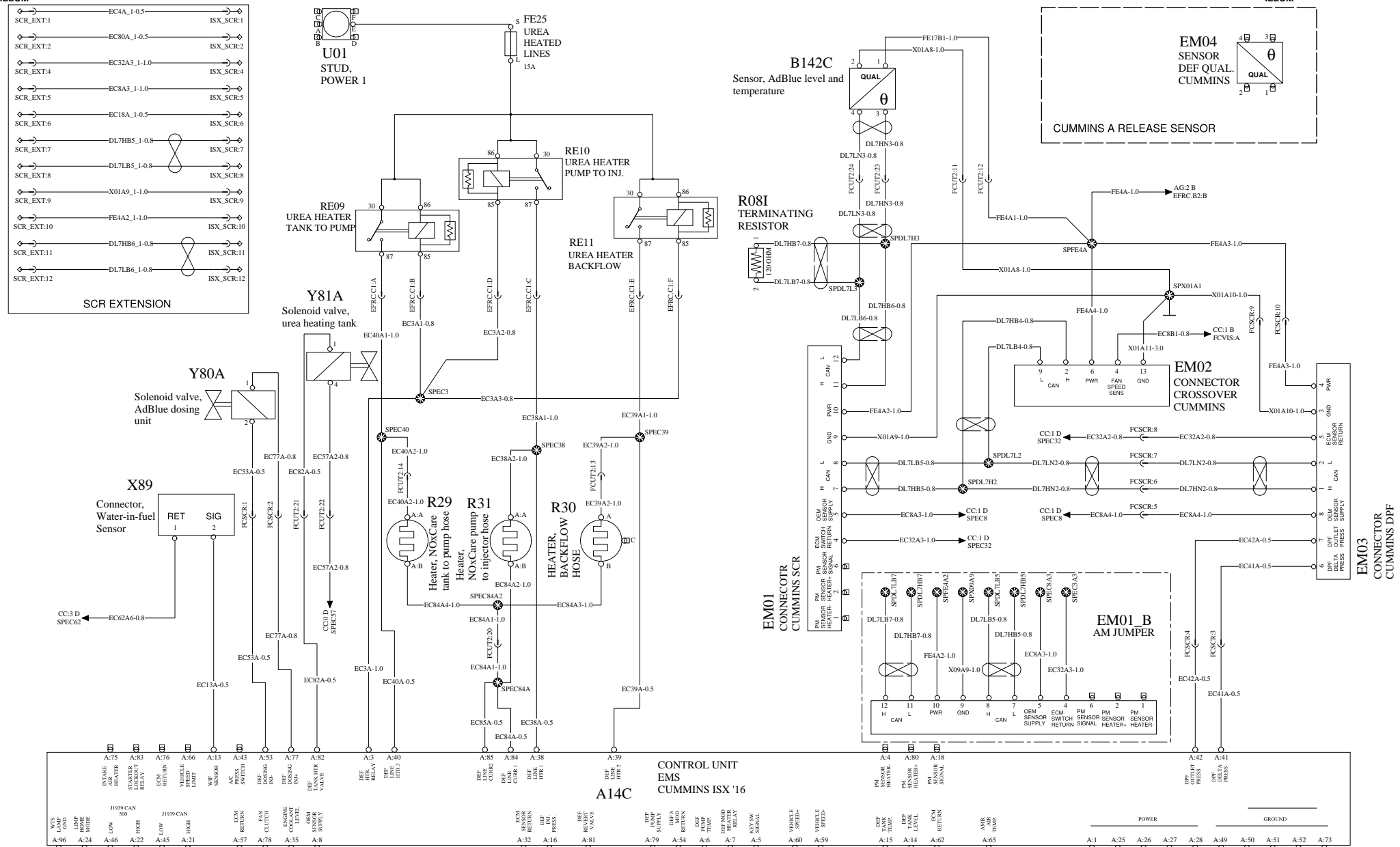
Document title 12V SCHEMATIC VOLVO	Document No 21849527	Issue 09	Volume 1 (2)	Page 31 (110)
Document type PRODUCT SCHEMATIC				

ENGINE CONTROL ISX US13 2/2

WIRING DIAGRAM: CD

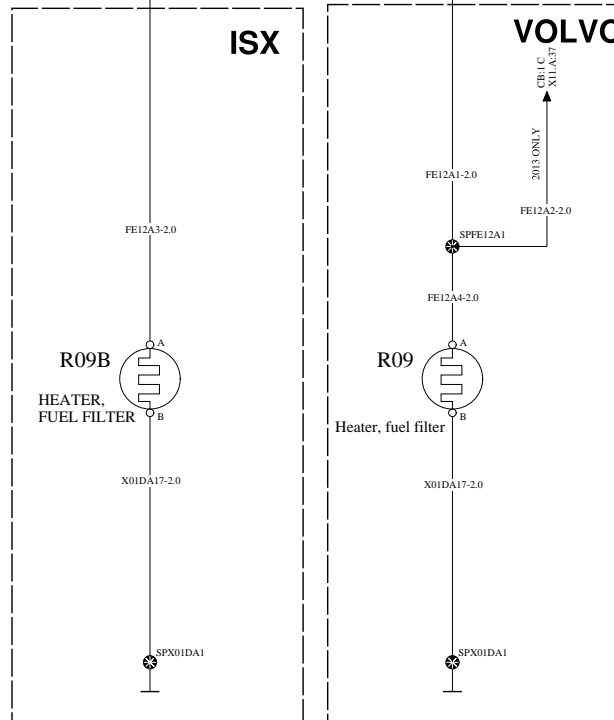
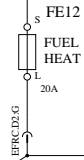
BATT
IGN
DR
ACC
ILLUM

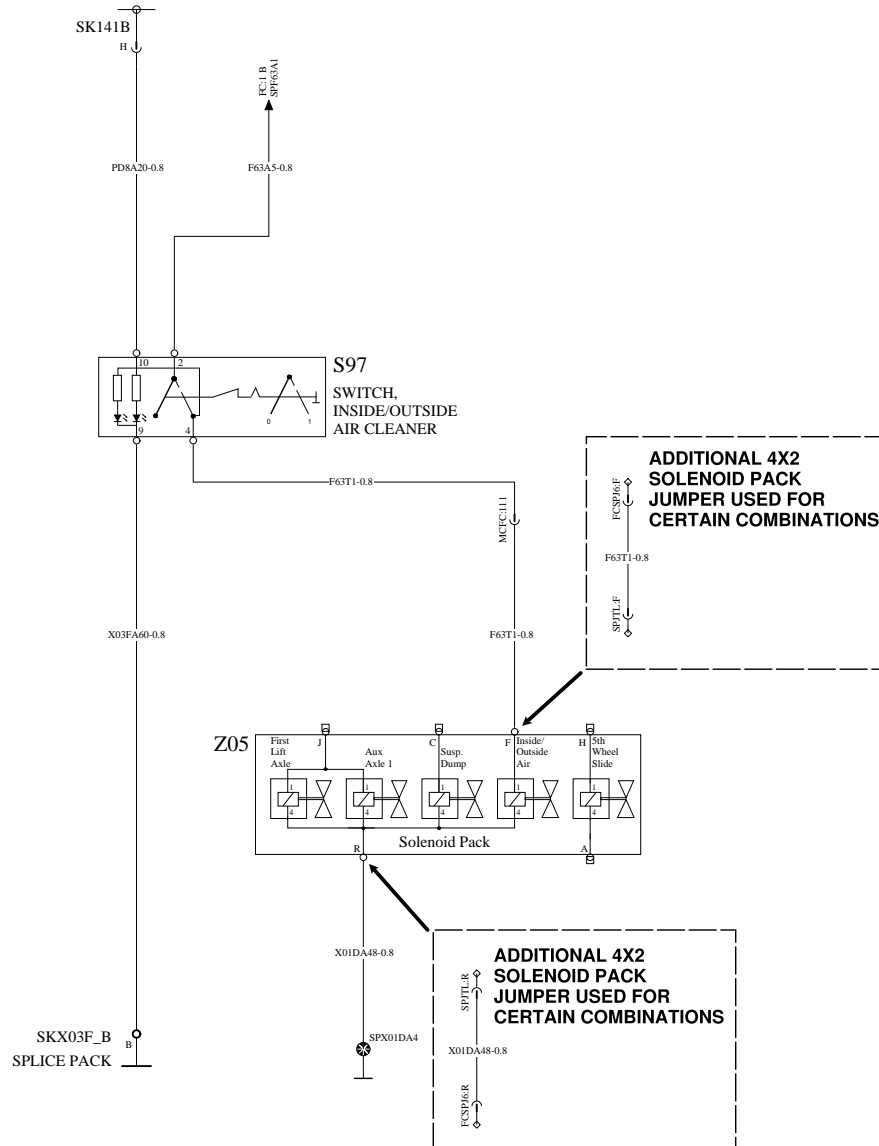
BATT
IGN
DR
ACC
ILLUM



FUEL FILTER HEATER

WIRING DIAGRAM: CE



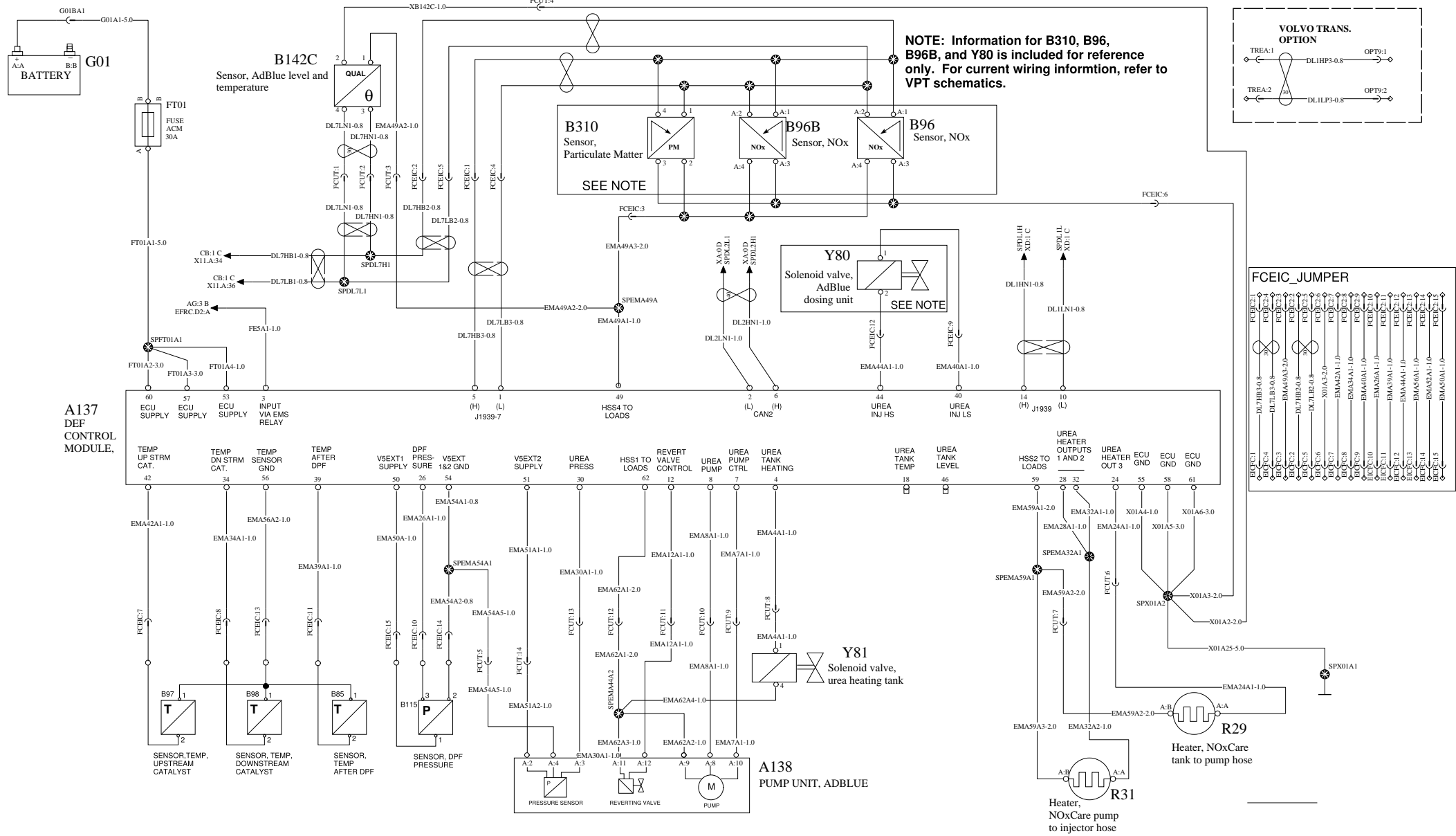


UREA DOSING SYSTEM 3/3 OBD 2013

WIRING DIAGRAM:CK

BATT
IGN
DR
ACC
ILLUM

BATT
IGN
DR
ACC
ILLUM

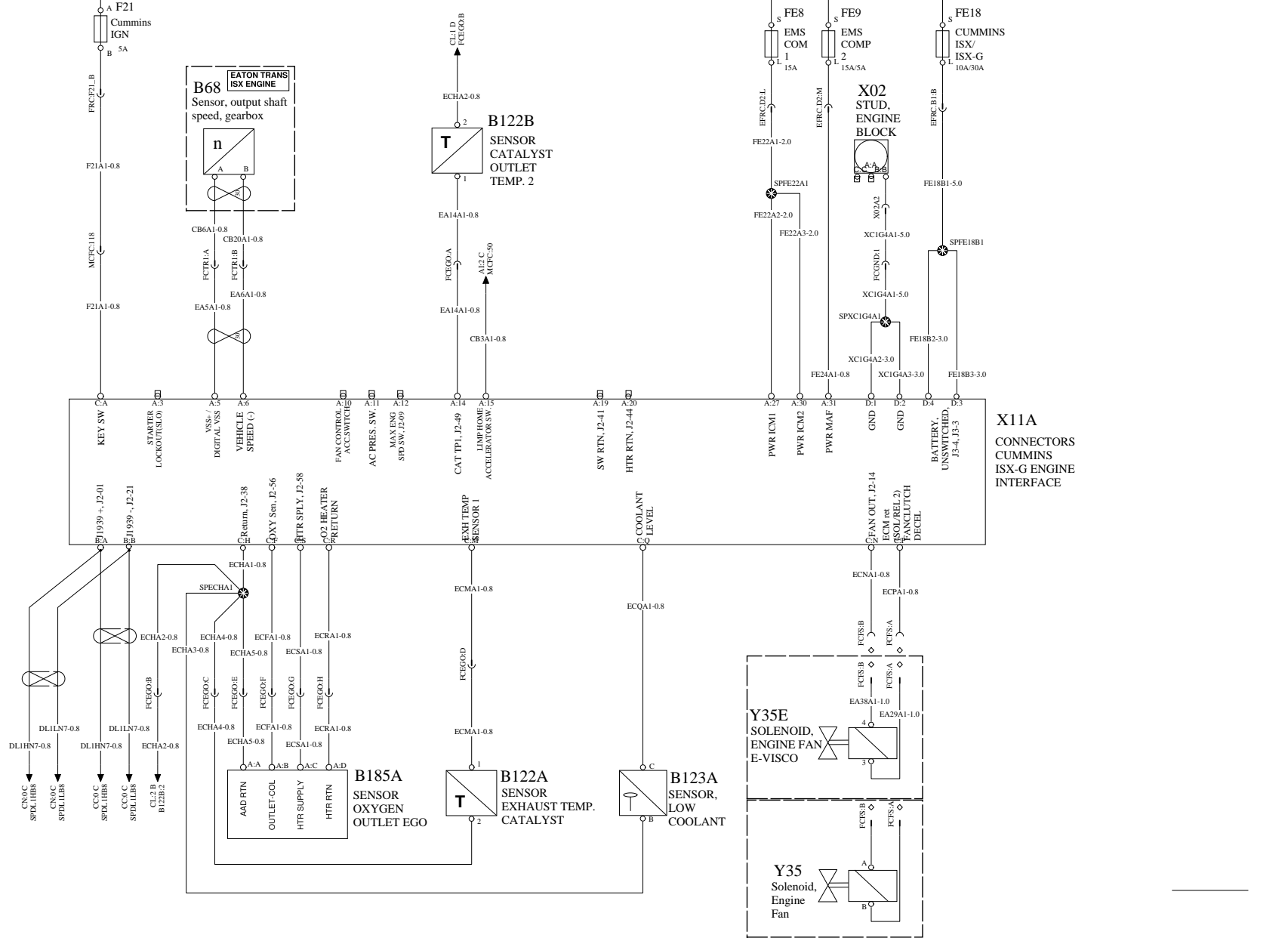


Document title	12V SCHEMATIC VOLVO	Document No	21849527	Issue	09	Volume	1 (2)	Page	35 (110)
Document type	PRODUCT SCHEMATIC								

ENGINE CONTROL ISX-G 1/2

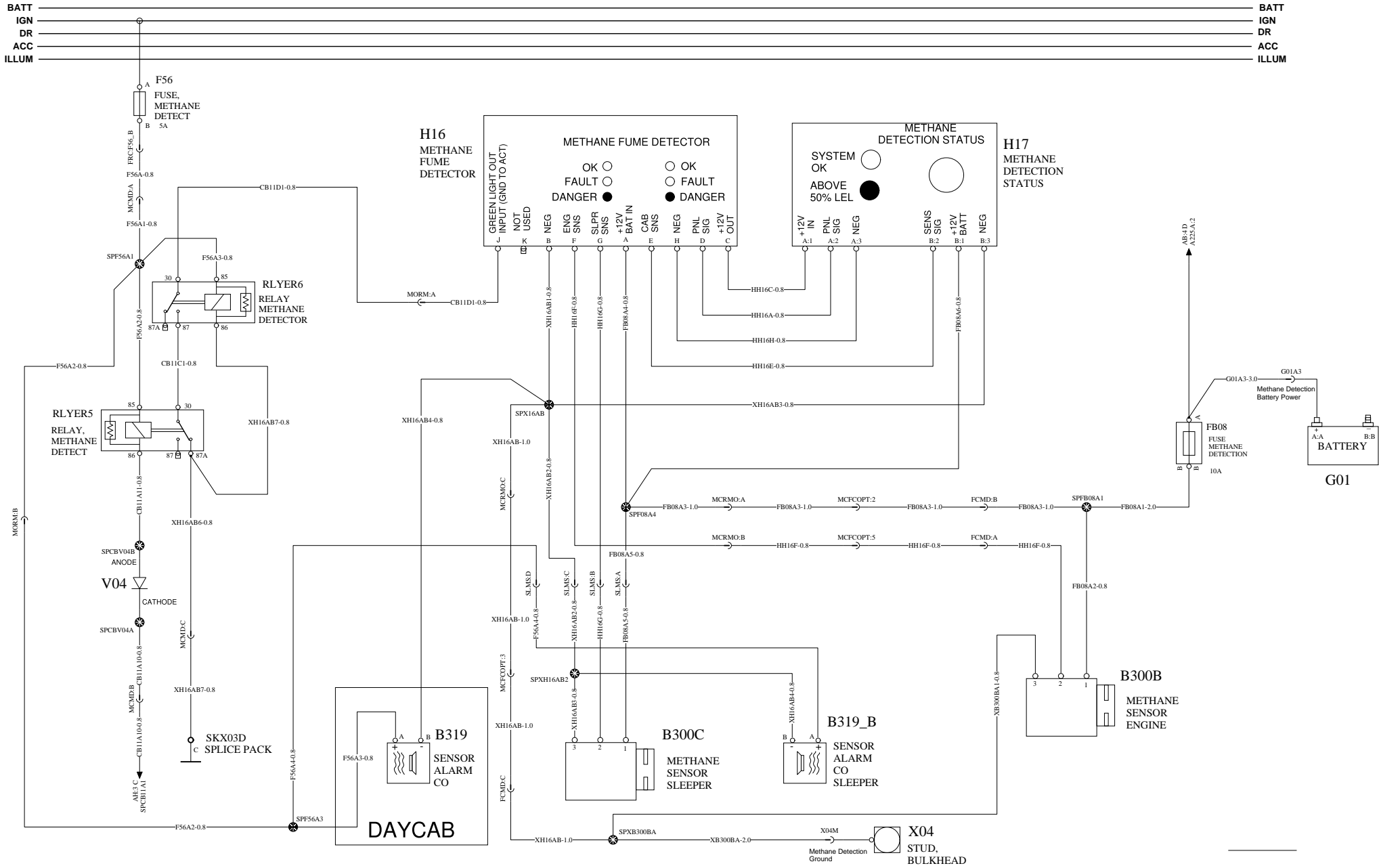
WIRING DIAGRAM: CL

BATT
IGN
DR
ACC
141



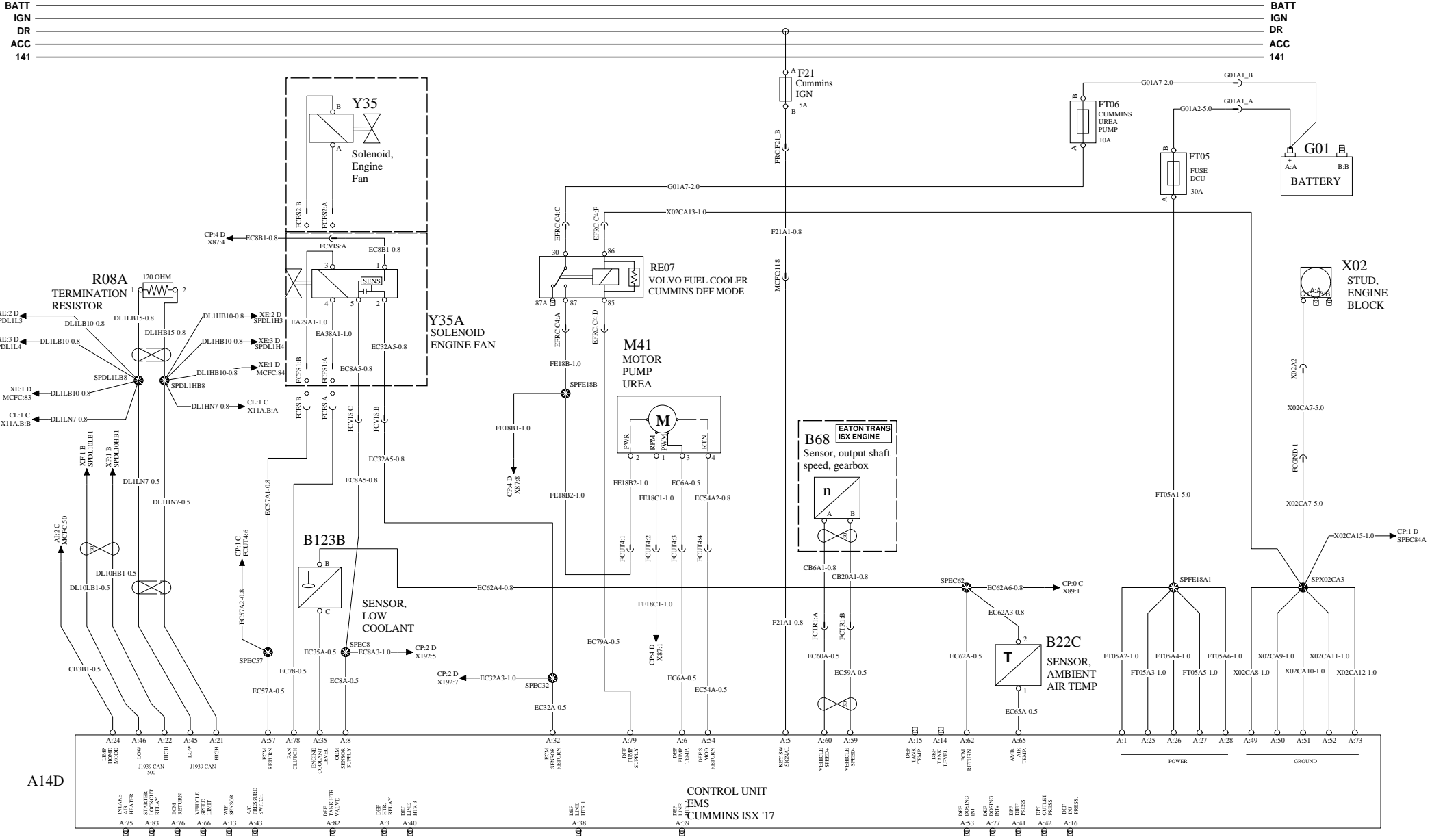
METHANE DETECTION

WIRING DIAGRAM: CM



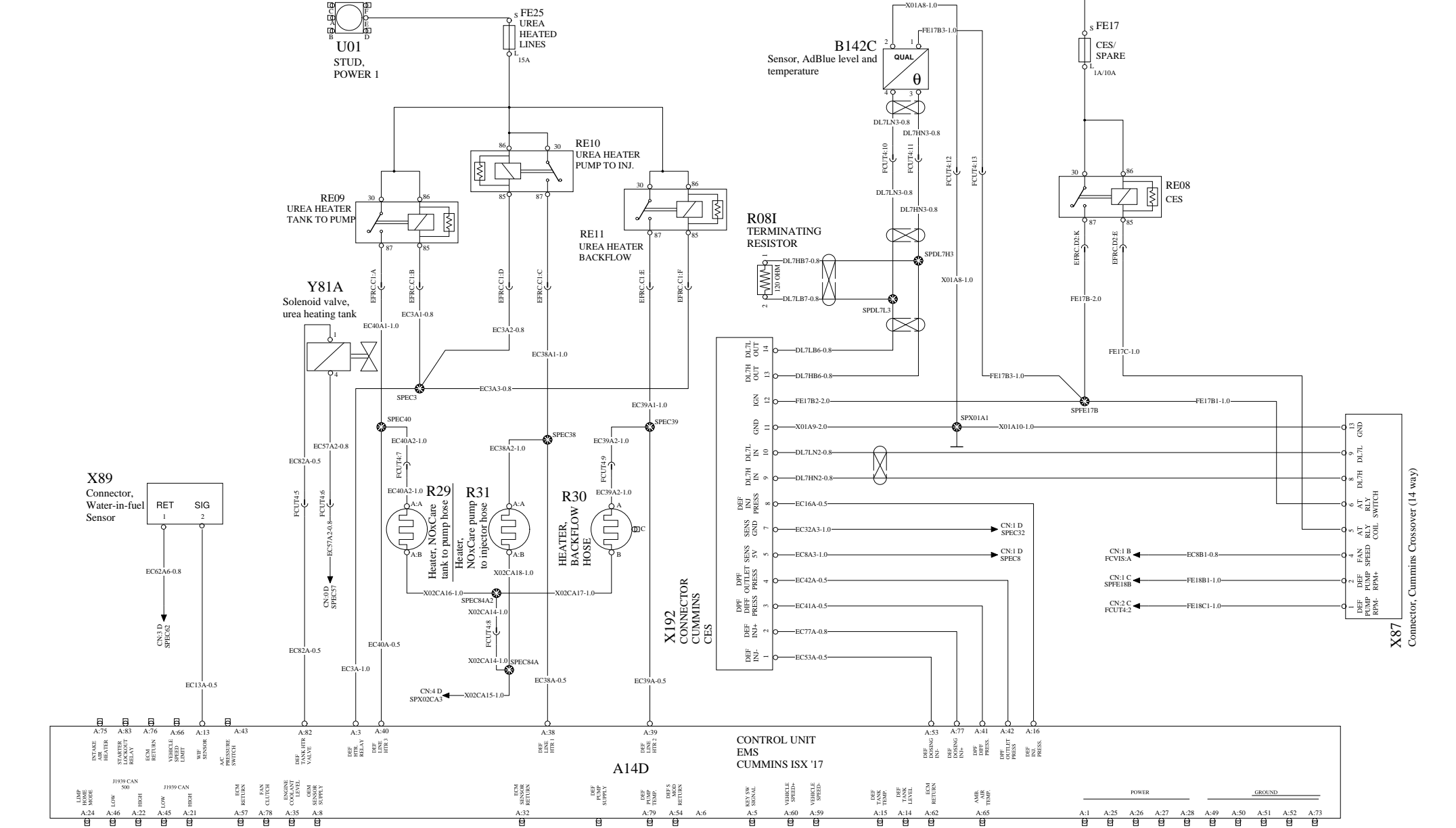
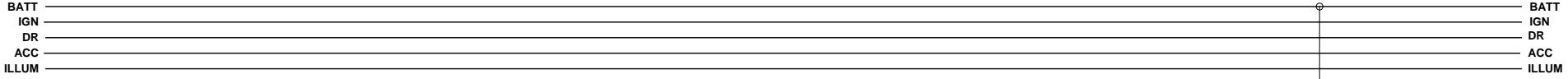
ENGINE CONTROL ISX US17 1/2

WIRING DIAGRAM : CN



ENGINE CONTROL ISX US17 2/2

WIRING DIAGRAM : CP



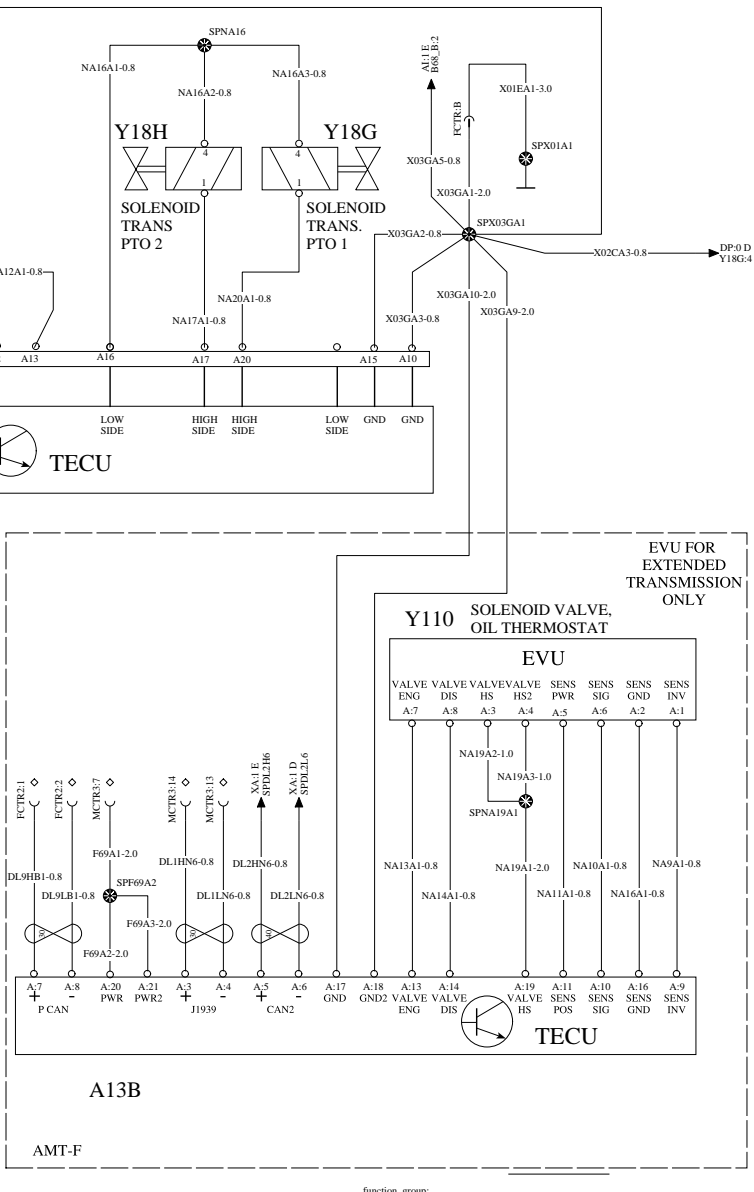
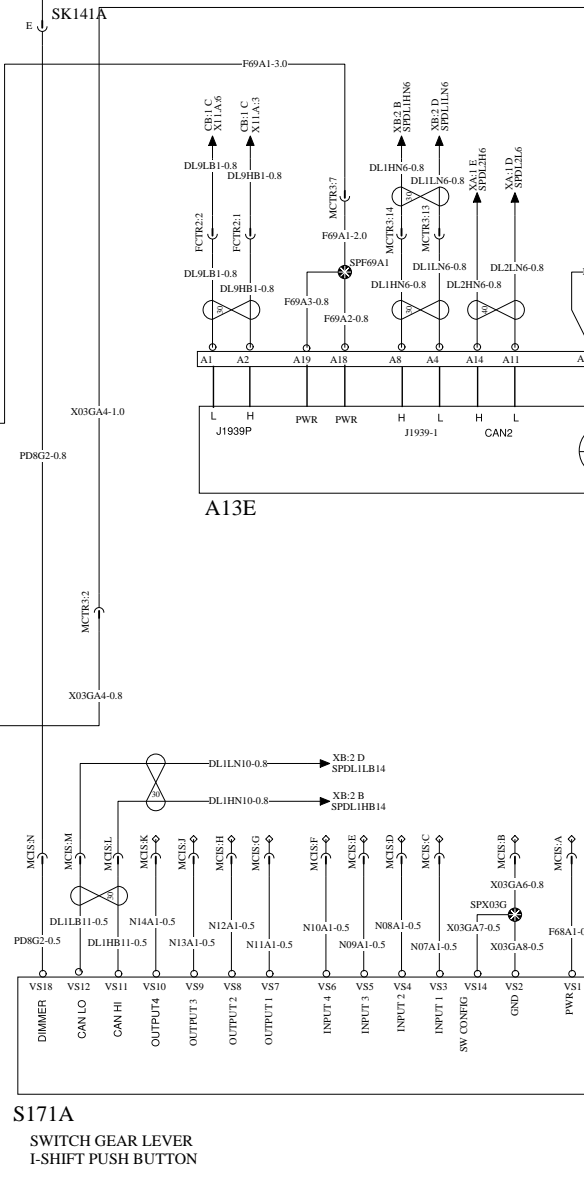
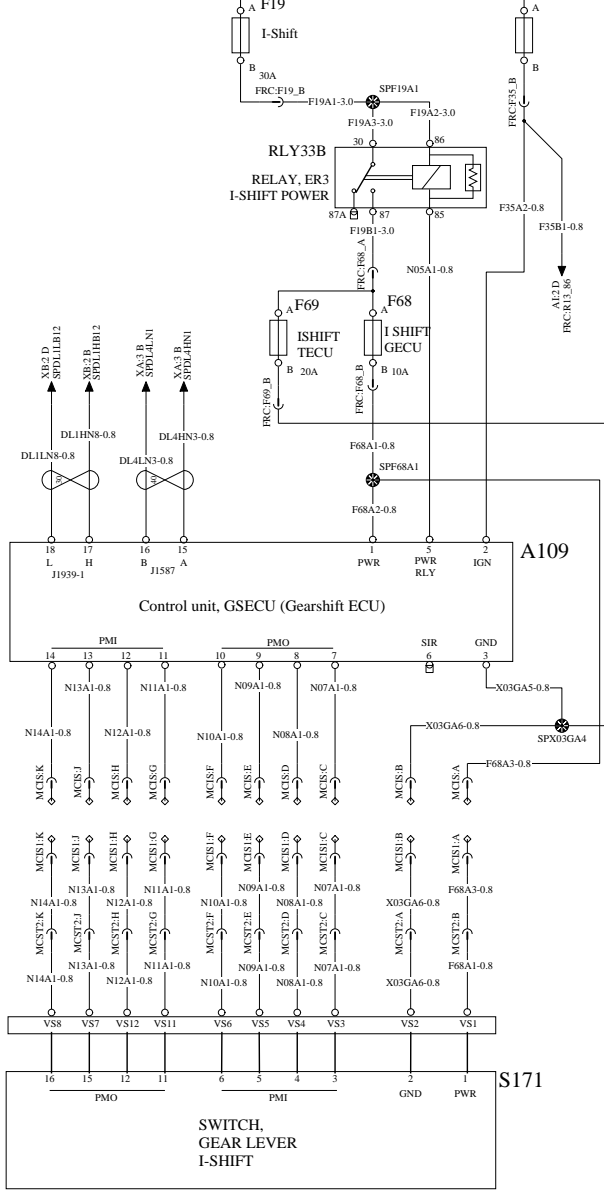
A14D CONTROL UNIT EMS CUMMINS ISX 17																														
J1939 CAN 500					POWER					GROUND																				
A-75	A-83	A-76	A-66	A-13	A-43	A-82	A-3	A-40	A-38	A-39	A-33	A-77	A-41	A-42	A-16	A-1	A-25	A-26	A-27	A-28	A-49	A-50	A-51	A-52	A-73					
INTAKE PUMP MORE	STARTER INHIBIT	STARTER LOCKOUT RELAY	ECM RETURN	VEHICLE SPEED SENSOR	W/F SENSOR	AC COASTING SWITCH	DEF DEF. VALVE	DEF RELAY	DEF HTR 3	DEF LINE HTR 2	DEF IN+	DEF IN+	DEF IN+	DEF PRESS	DEF PRESS	DEF PRESS	DEF PRESS	DEF PRESS	DEF PRESS	DEF PRESS	DEF PRESS	DEF PRESS	DEF PRESS	DEF PRESS	DEF PRESS	DEF PRESS				
A-24	A-46	A-22	A-45	A-21	A-57	A-78	A-35	A-8	A-32	A-79	A-54	A-6	A-5	A-80	A-59	A-15	A-14	A-62	A-65	A-1	A-25	A-26	A-27	A-28	A-49	A-50	A-51	A-52	A-73	
ECM RETURN	VEHICLE CLUTCH	ENGINE OIL LEVEL	VEHICLE SPEED SUPPLY	W/F SENSOR	AC COASTING SWITCH	DEF DEF. VALVE	DEF RELAY	DEF HTR 3	DEF LINE HTR 2	DEF IN+	DEF IN+	DEF IN+	DEF PRESS	DEF PRESS	DEF PRESS	DEF PRESS	DEF PRESS	DEF PRESS	DEF PRESS	DEF PRESS	DEF PRESS	DEF PRESS	DEF PRESS	DEF PRESS	DEF PRESS	DEF PRESS	DEF PRESS	DEF PRESS	DEF PRESS	DEF PRESS

TRANSMISSION I-SHIFT

WIRING DIAGRAM: DA

BATT
IGN
DR
ACC
ILLUM

BATT
IGN
DR
ACC
ILLUM

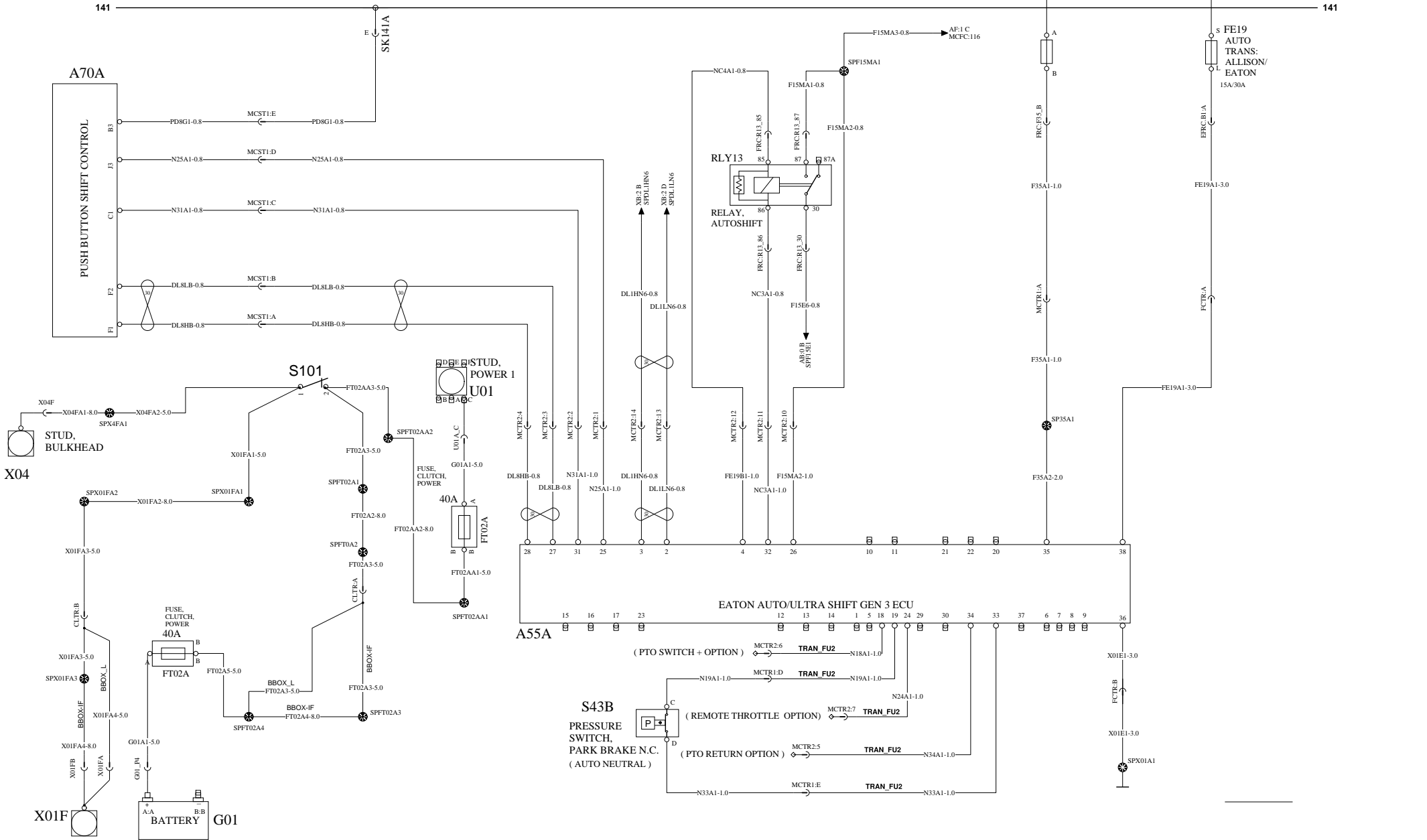


TRANSMISSION CONTROL EATON AUTOMATICS

WIRING DIAGRAM: DB

BATT
IGN
DR
ACC
141

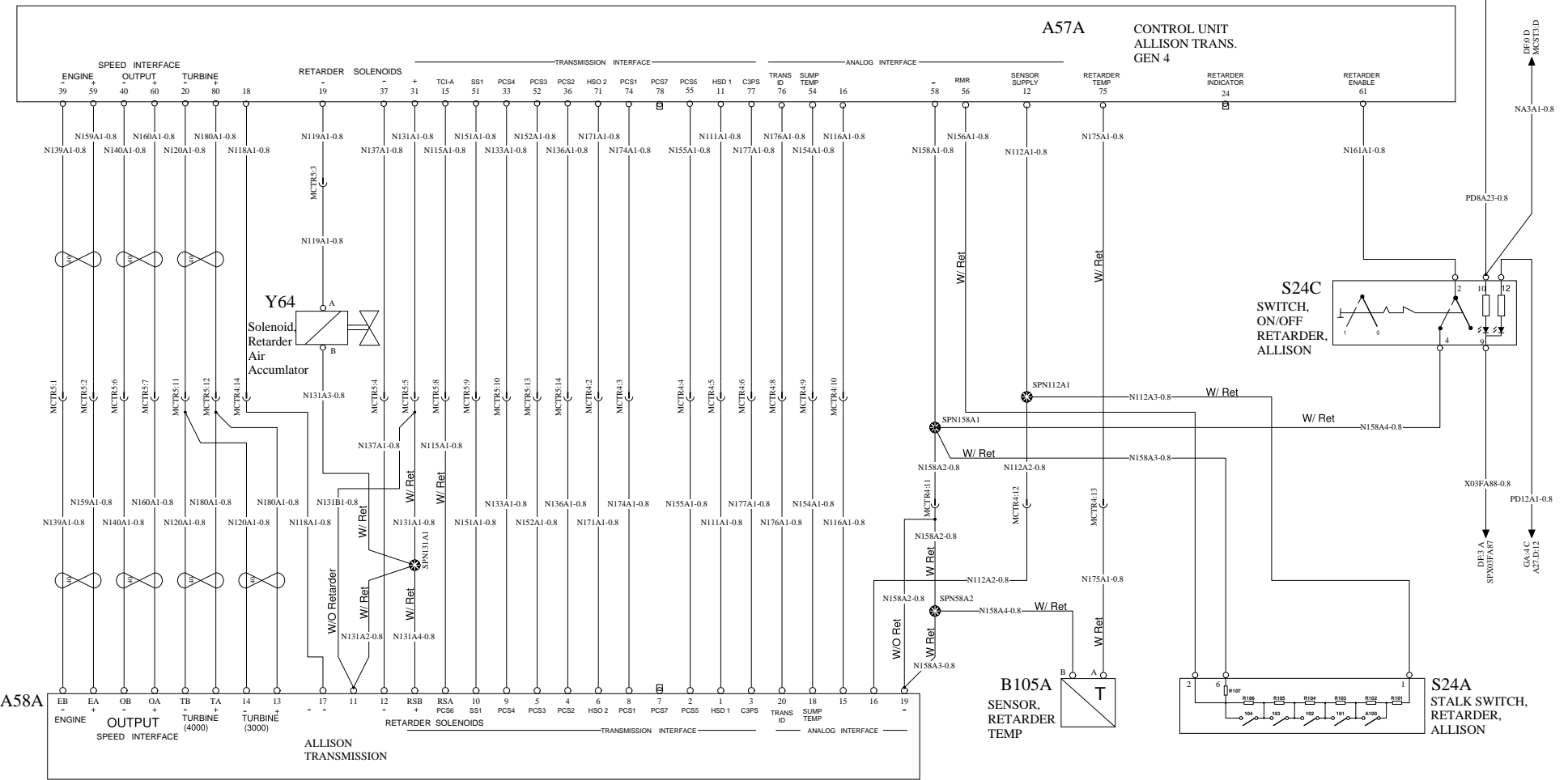
BATT
IGN
DR
ACC
141



TRANSMISSION CONTROL 5TH GENERATION 1/2

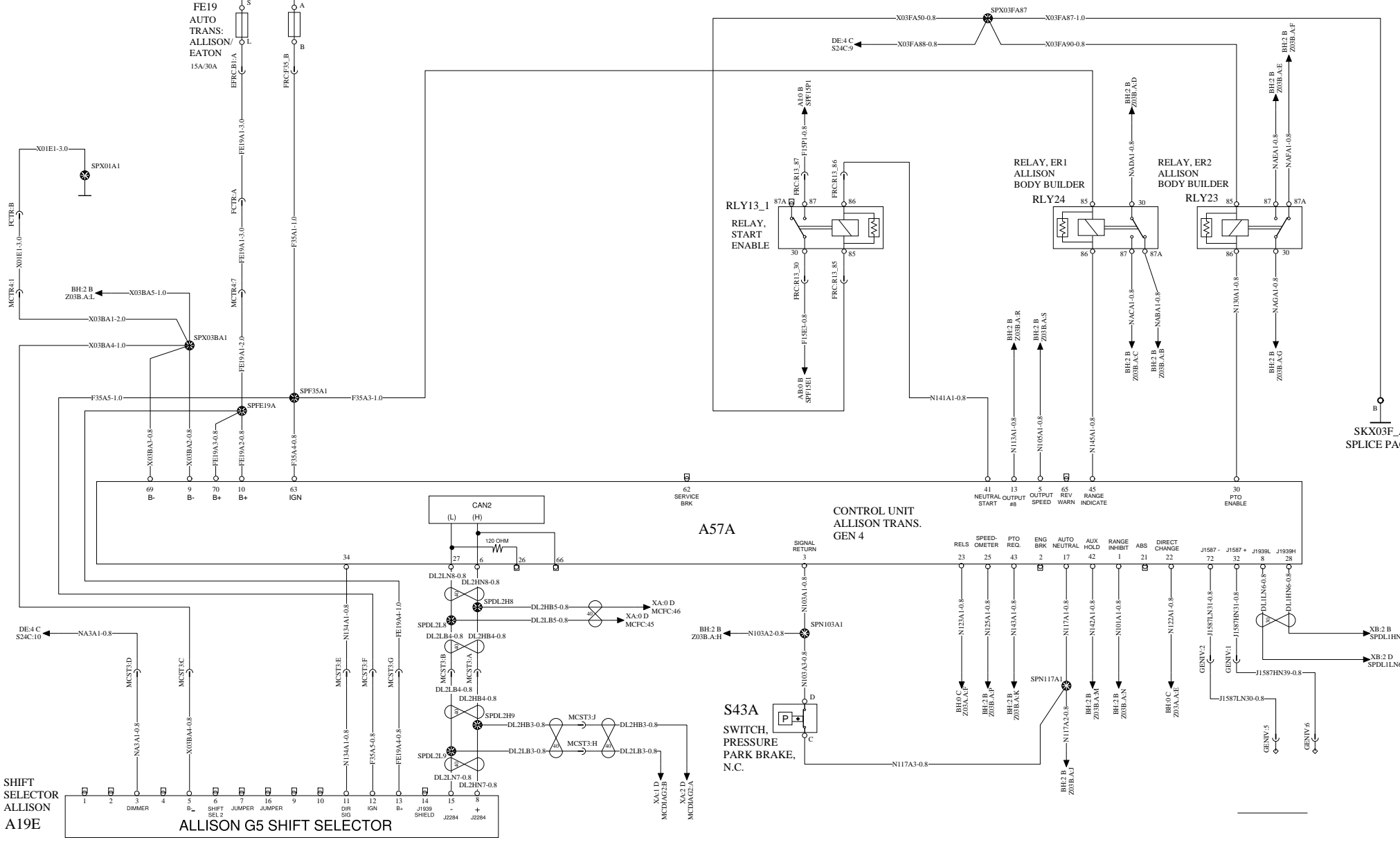
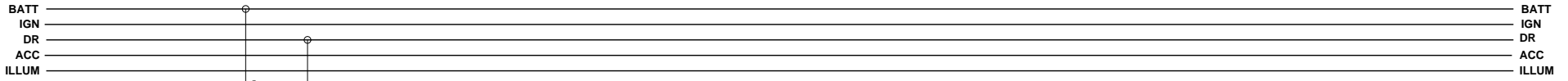
WIRING DIAGRAM: DE

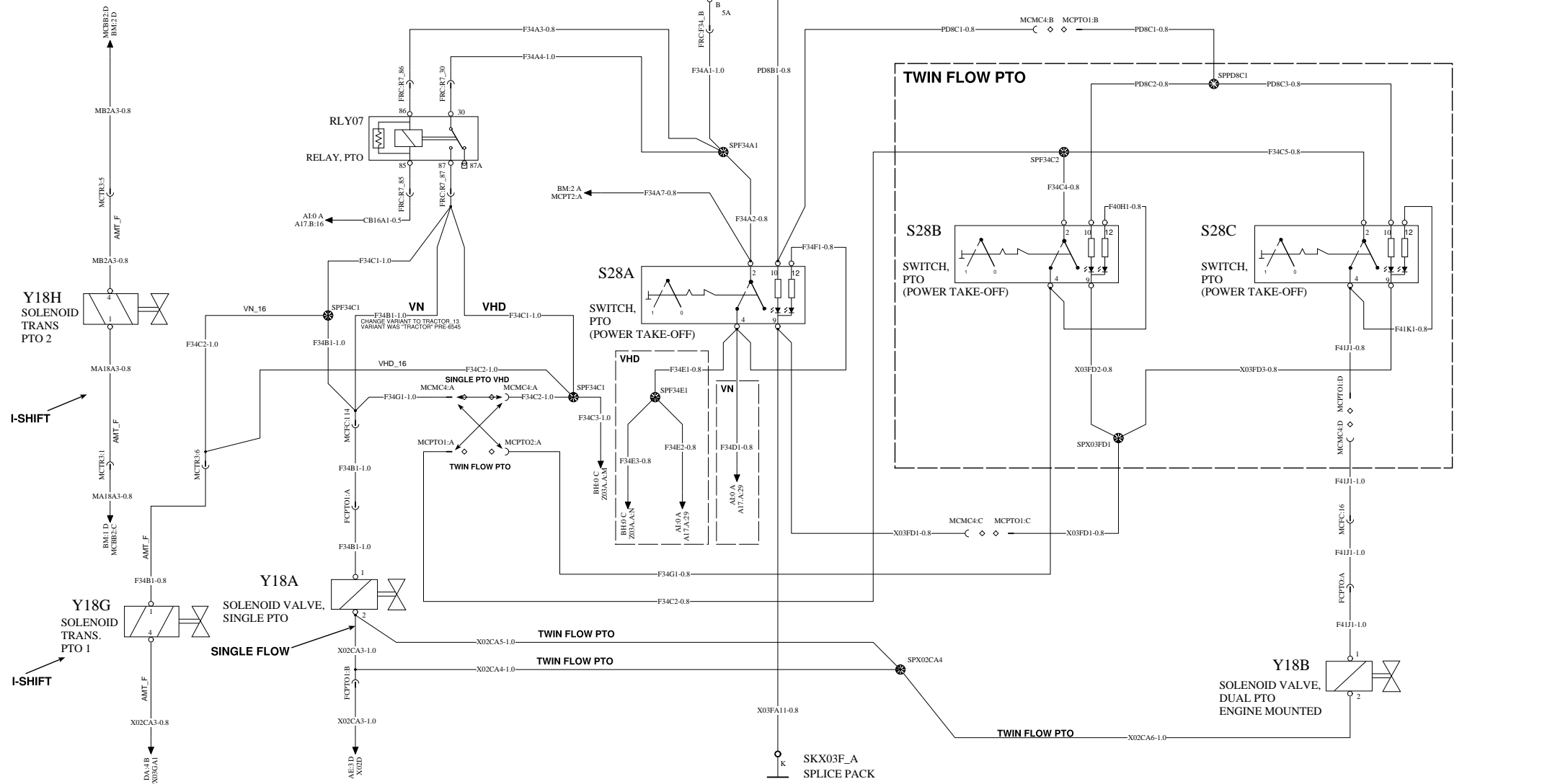
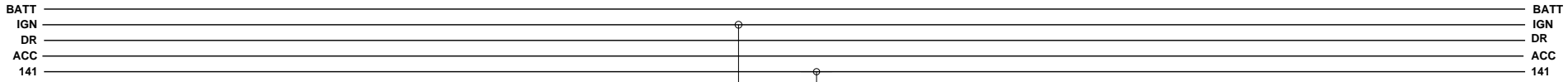
BATT
IGN
DR
ACC
ILLUM



TRANSMISSION CONTROL 5TH GENERATION 2/2

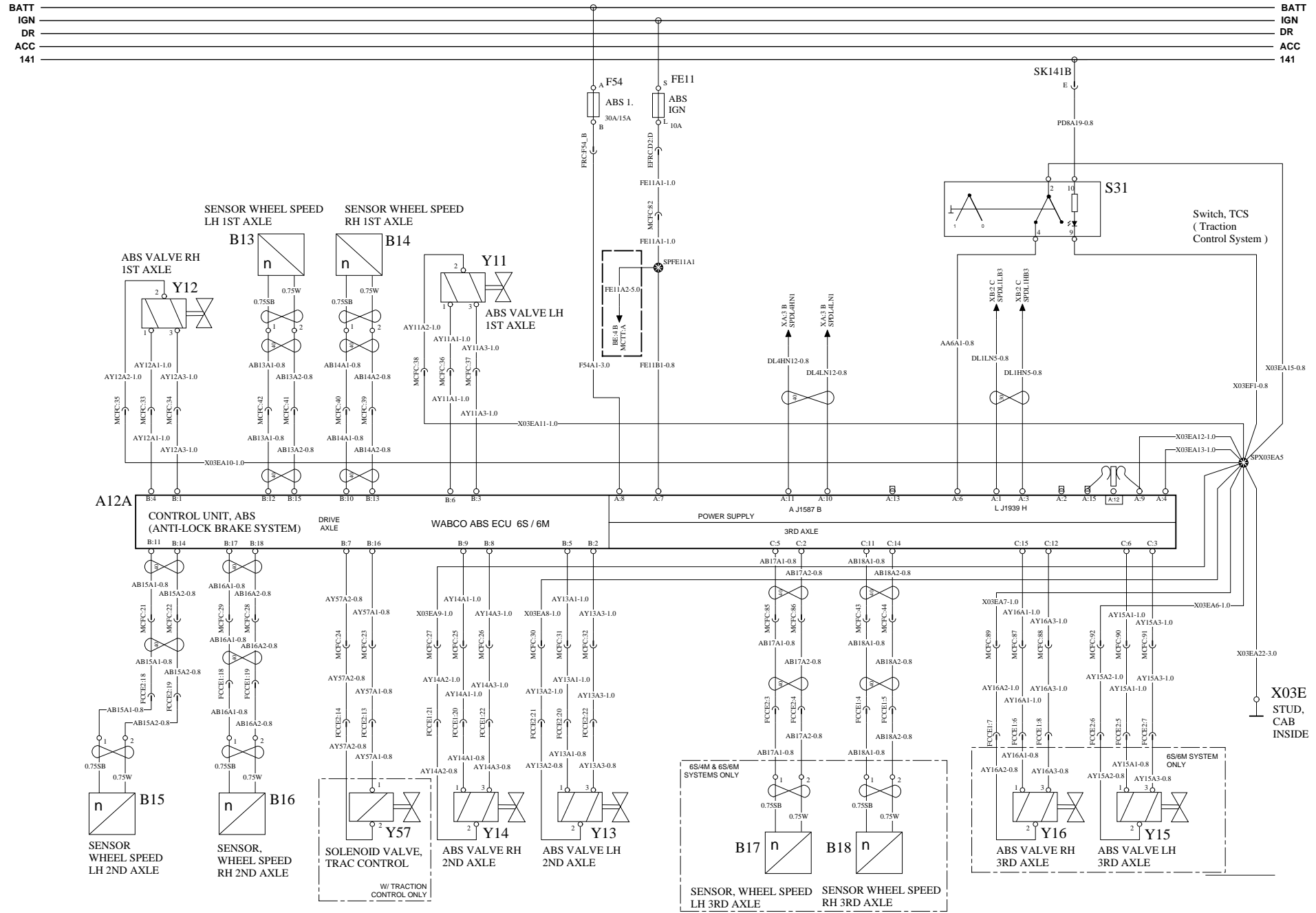
WIRING DIAGRAM: DF





ABS CONTROL WABCO

WIRING DIAGRAM: EA



BATT
IGN
DR
ACC
ILLUM

BATT
IGN
DR
ACC
ILLUM

R08B TERMINATING RESISTOR
DL1LB12-0.8
DL1LB11-0.8
DL1HB11-0.8
DL1HB12-0.8
SPDL1LB10
SPDL1HB10
XB-0 B OPT5:2
XB-0 B OPT5:1
TO J1939 BACKBONE IN MAIN CAB HARNESS

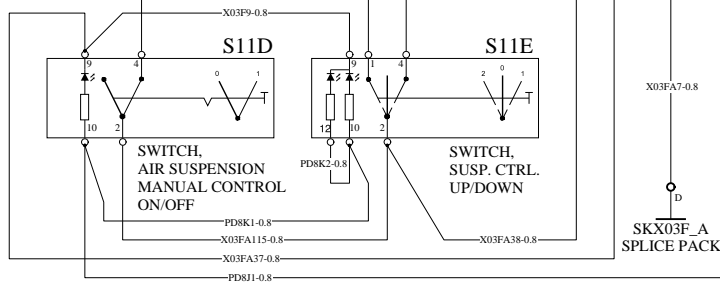
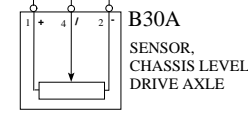
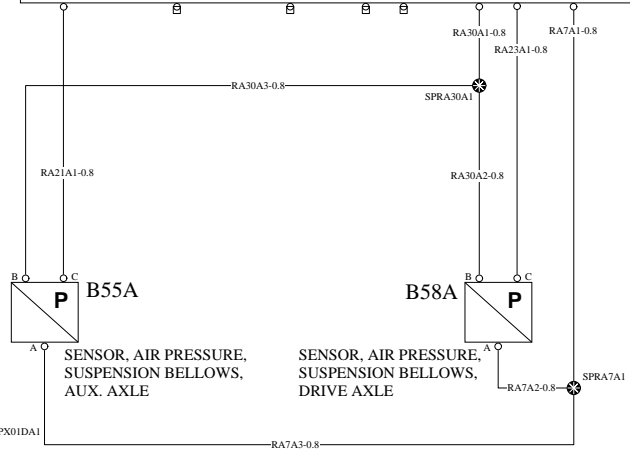
SOLENOID, LEVEL CONTROL DRIVE AXLES Y25A
SOLENOID, LEVEL CONTROL AUX. AXLE Y29A

RLY34 RELAY, ER4 ECS POWER

A16

Control unit, ECS (Electronic Controlled air Suspension)

J 1708/1587

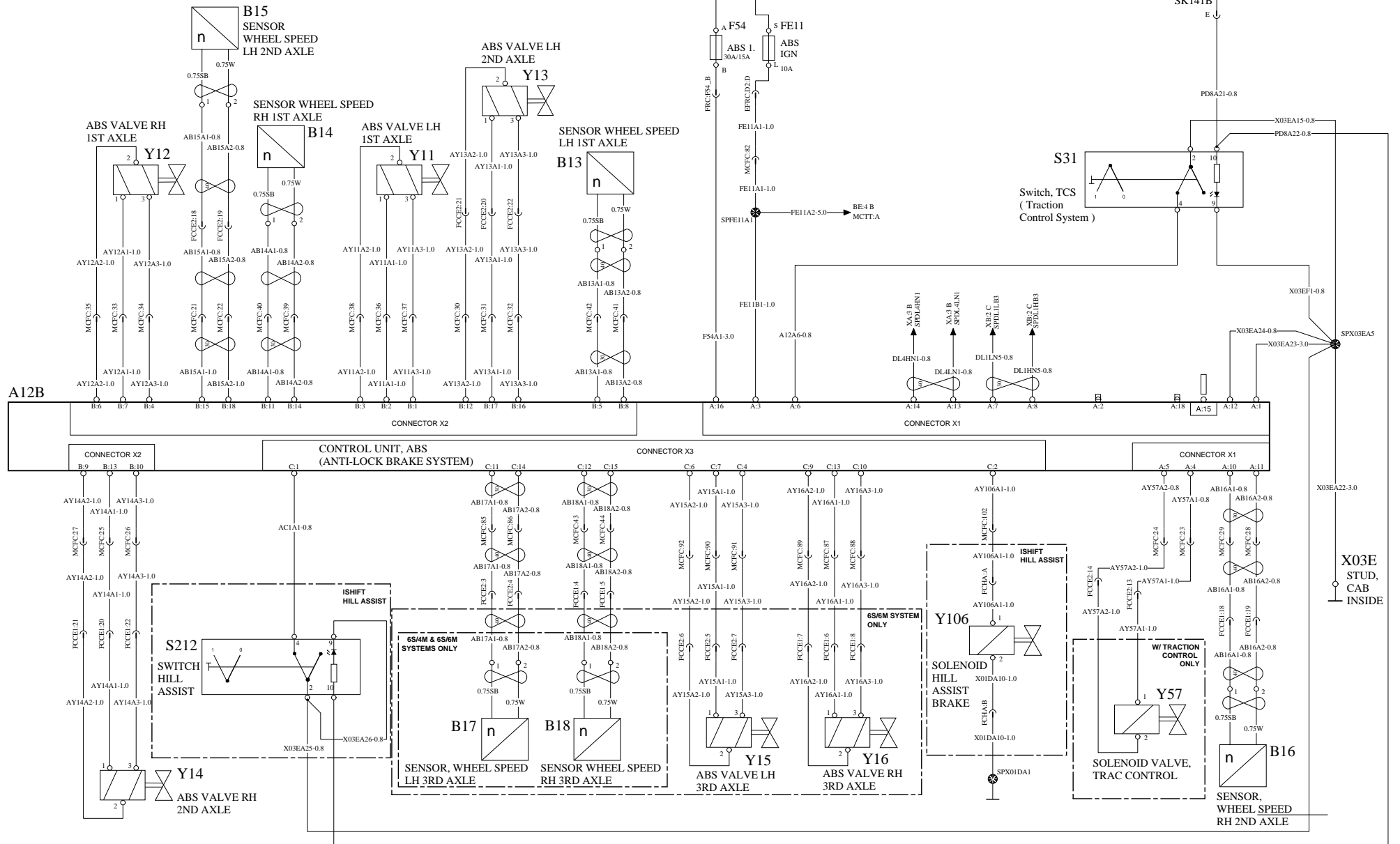


SKX03F A SPLICE PACK

ABS6 CONTROL BENDIX 1/3

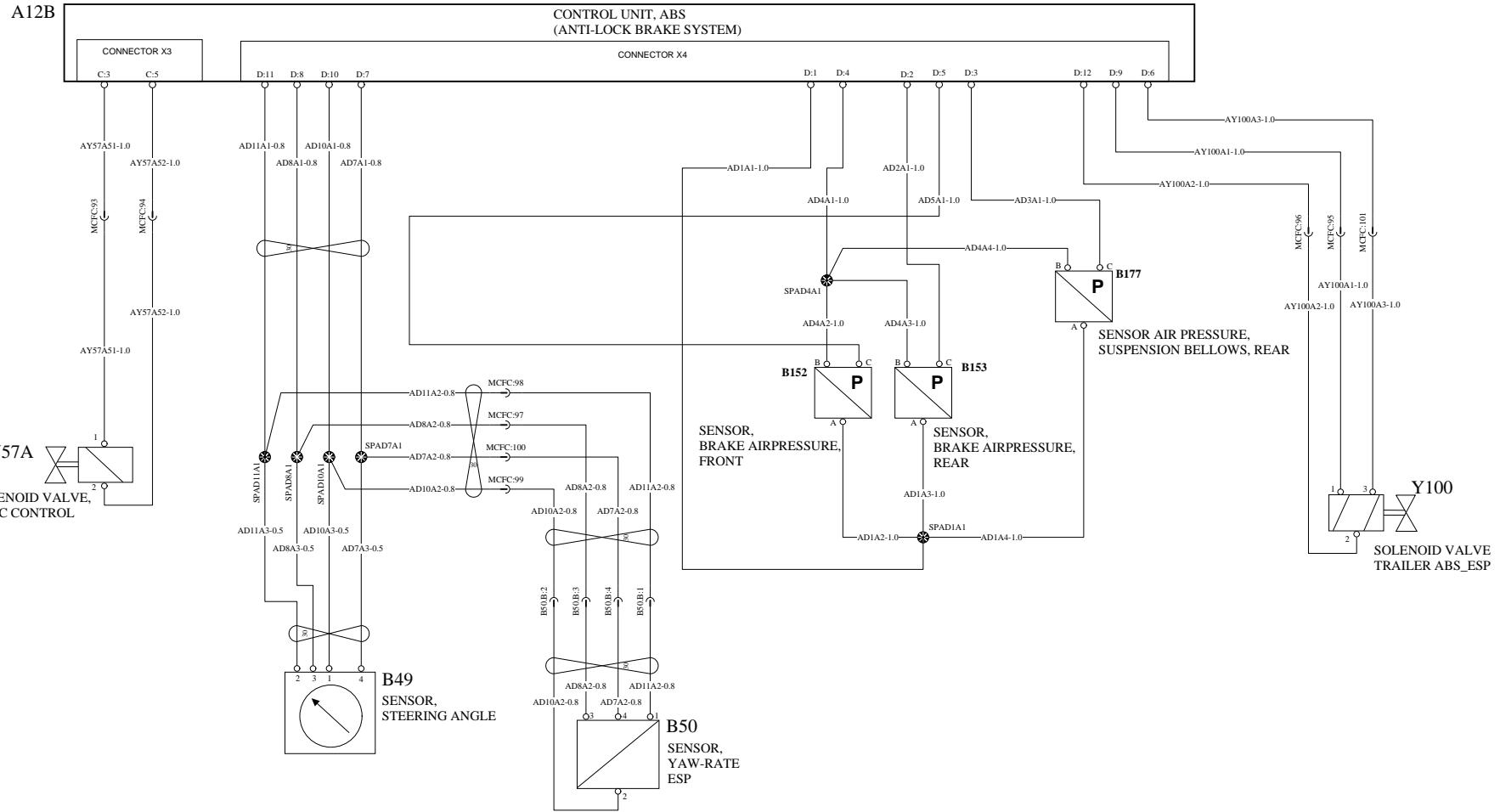
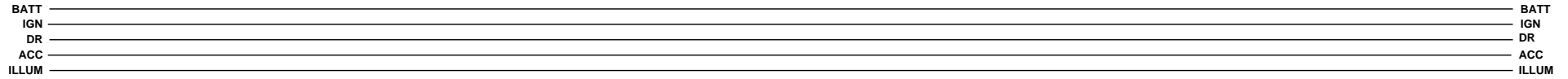
WIRING DIAGRAM: EC

BATT
IGN
DR
ACC
ILLUM



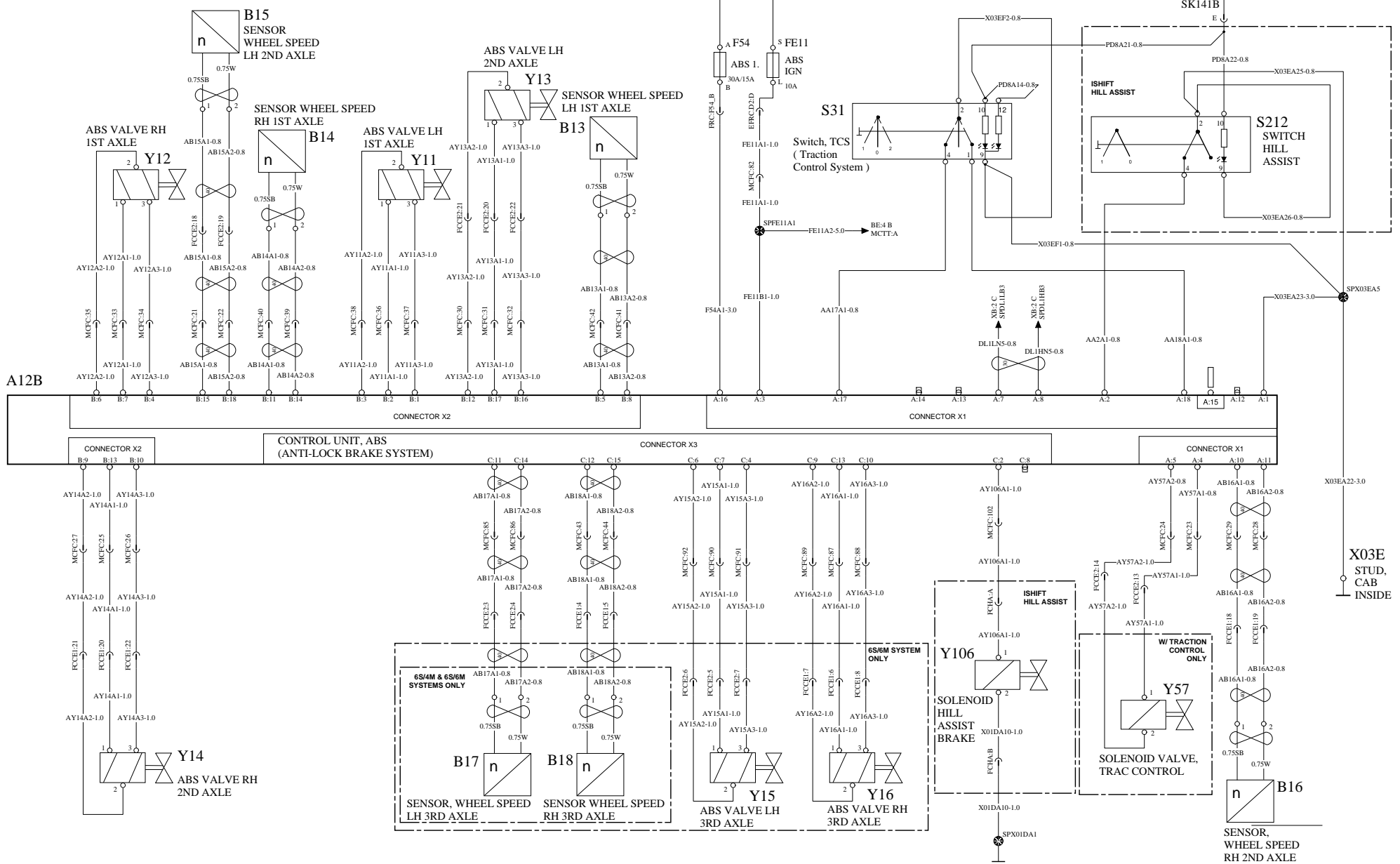
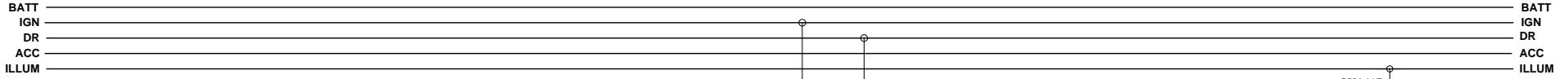
ABS CONTROL BENDIX ESC (ELECTRONIC STABILITY CONTROL)

WIRING DIAGRAM: ED



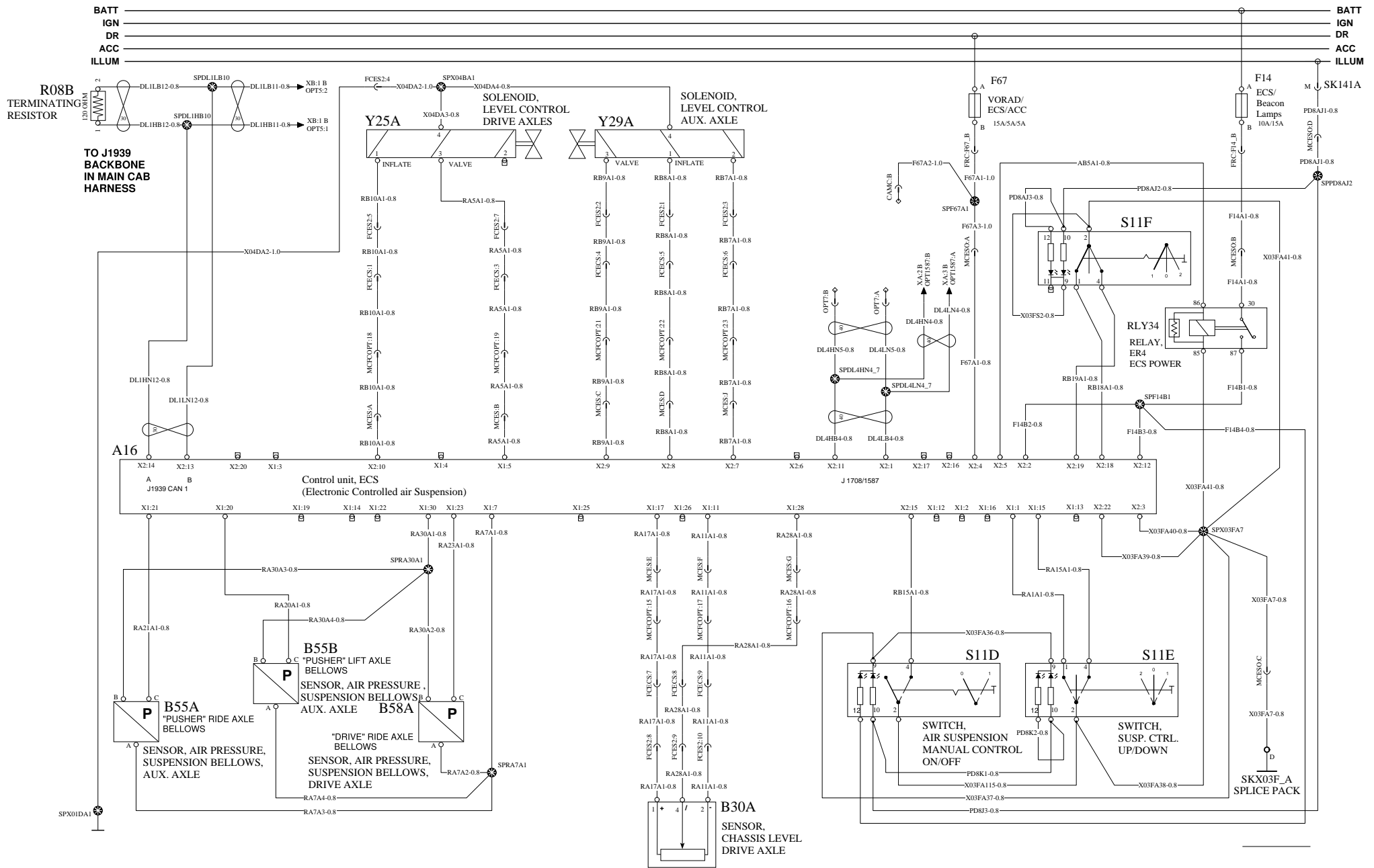
ABS8 CONTROL BENDIX 3/3

WIRING DIAGRAM: EG



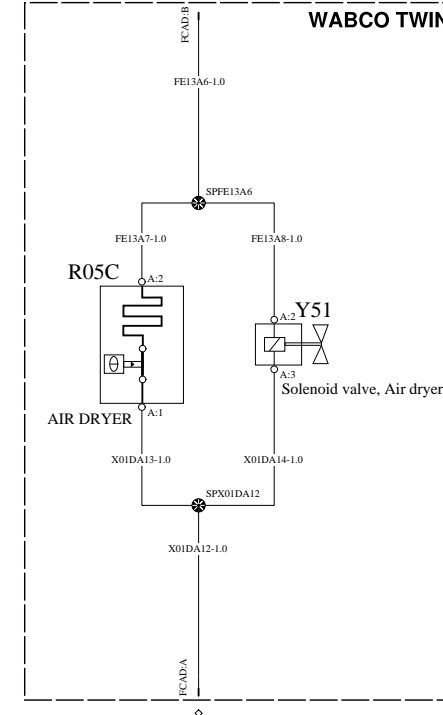
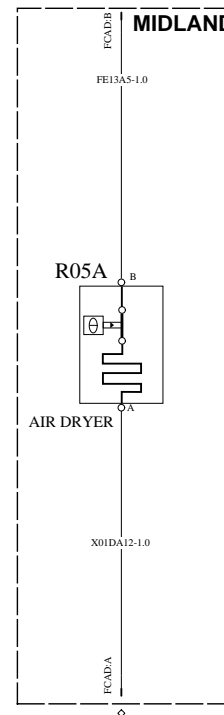
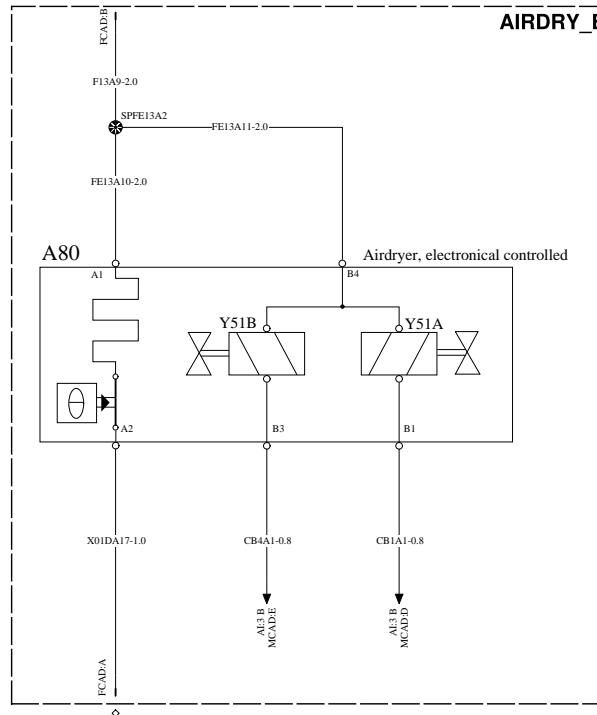
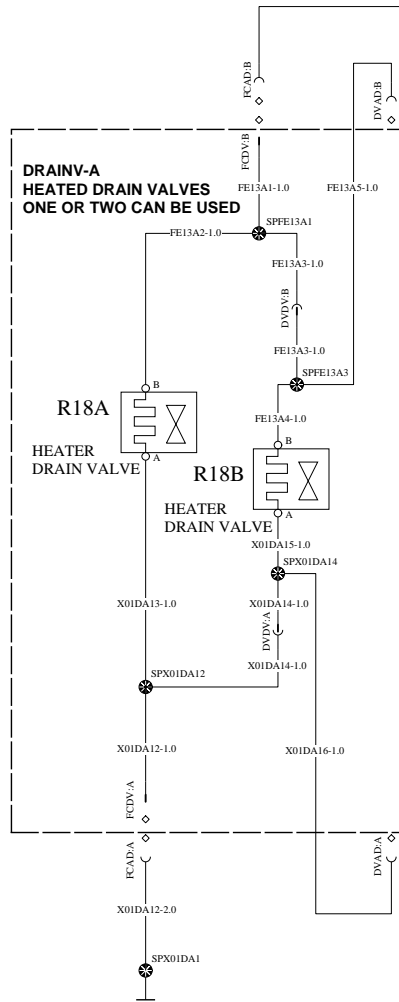
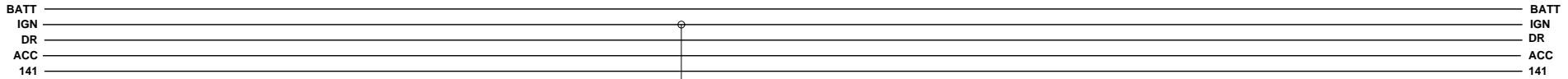
SUSPENSION LIFTABLE PUSHER

WIRING DIAGRAM: CM



AIR DRYER/HEATED DRAIN VALVE

WIRING DIAGRAM: FA



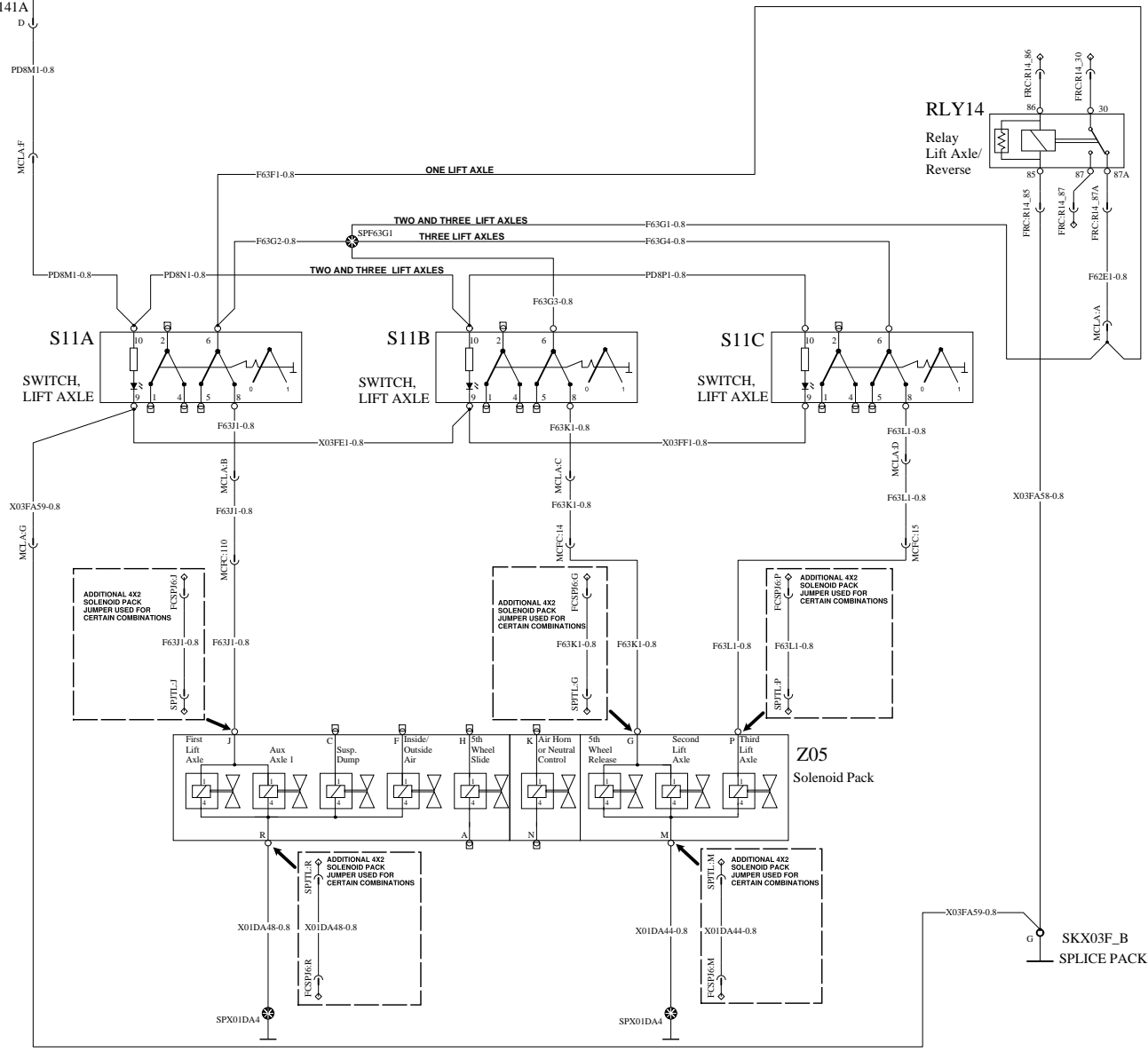
AIR DRYER JUMPER CAN CONNECT DIRECTLY TO FRONT CHASSIS HARNESS OR TO HEATED DRAIN VALVE HARNESS

LIFT AXLES VHD

WIRING DIAGRAM: FB

BATT
IGN
DR
ACC
141

BATT
IGN
DR
ACC
141

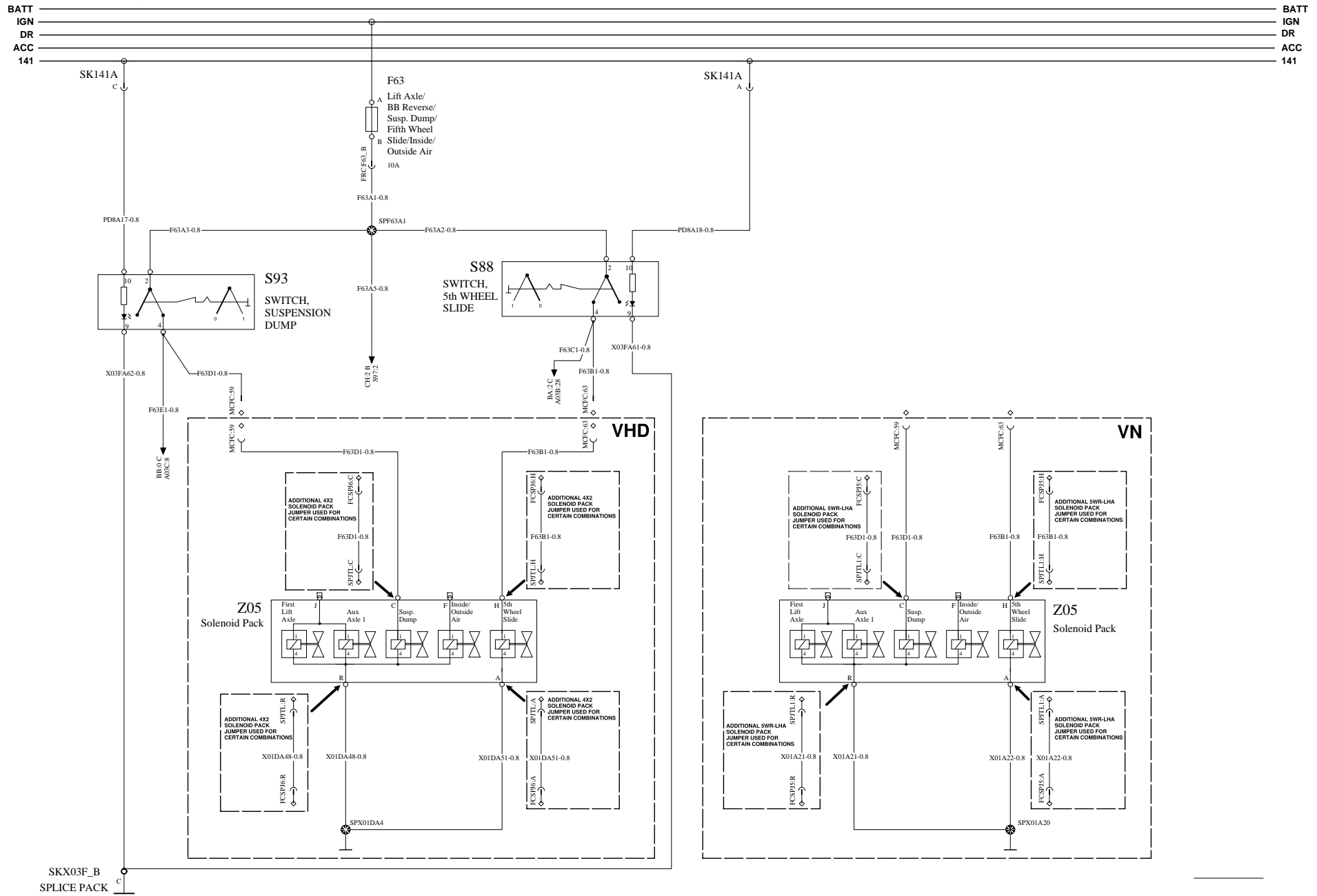


SEE SHEET GK FOR
RELAY 14 CONTROLS.

Document title 12V SCHEMATIC VOLVO	Document No 21849527	Issue 09	Volume 1 (2)	Page 52 (110)
Document type PRODUCT SCHEMATIC				

SUSPENSION DUMP, 5TH WHEEL SLIDE

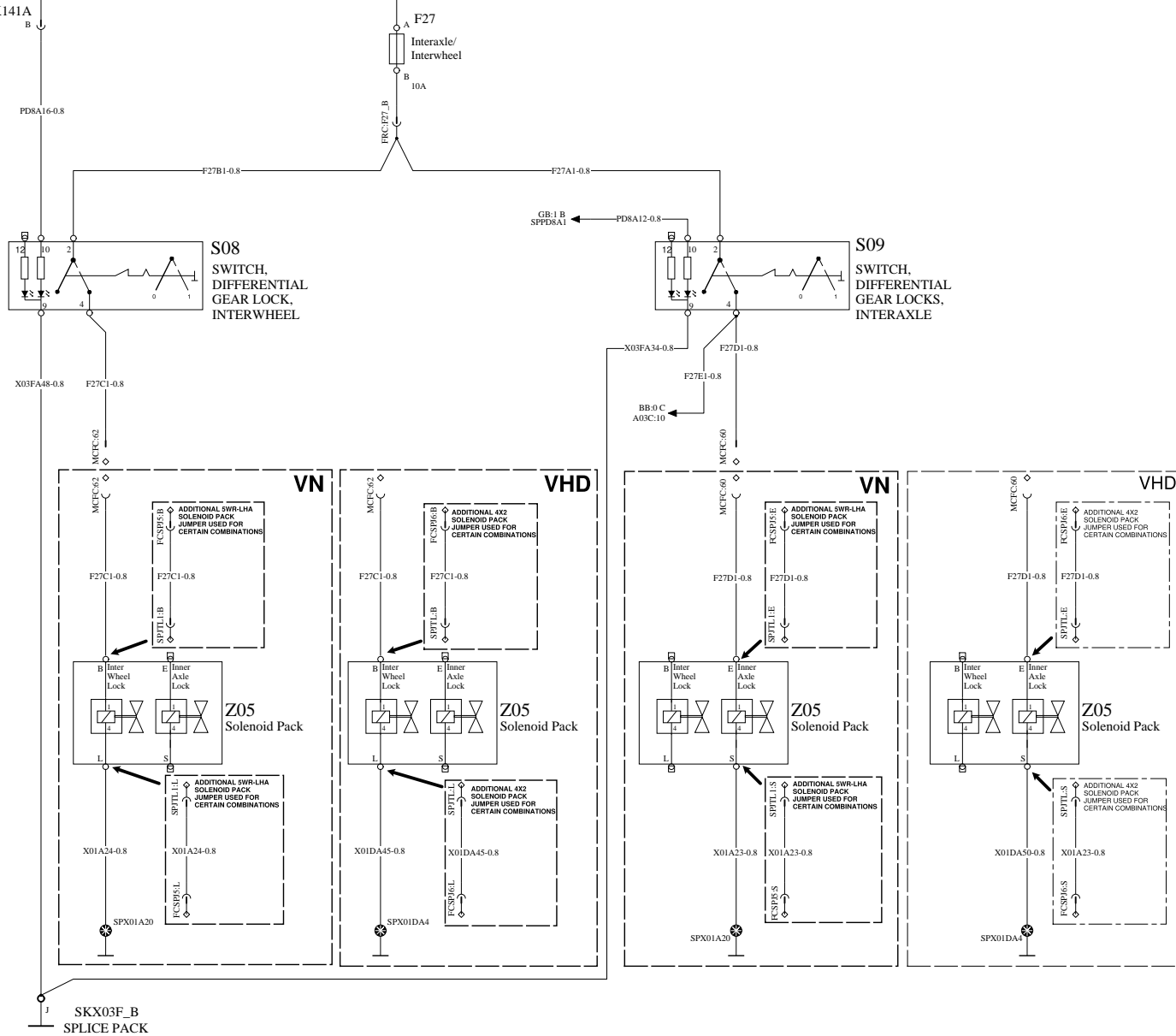
WIRING DIAGRAM: FC



DIFFERENTIAL LOCK VN/VHD

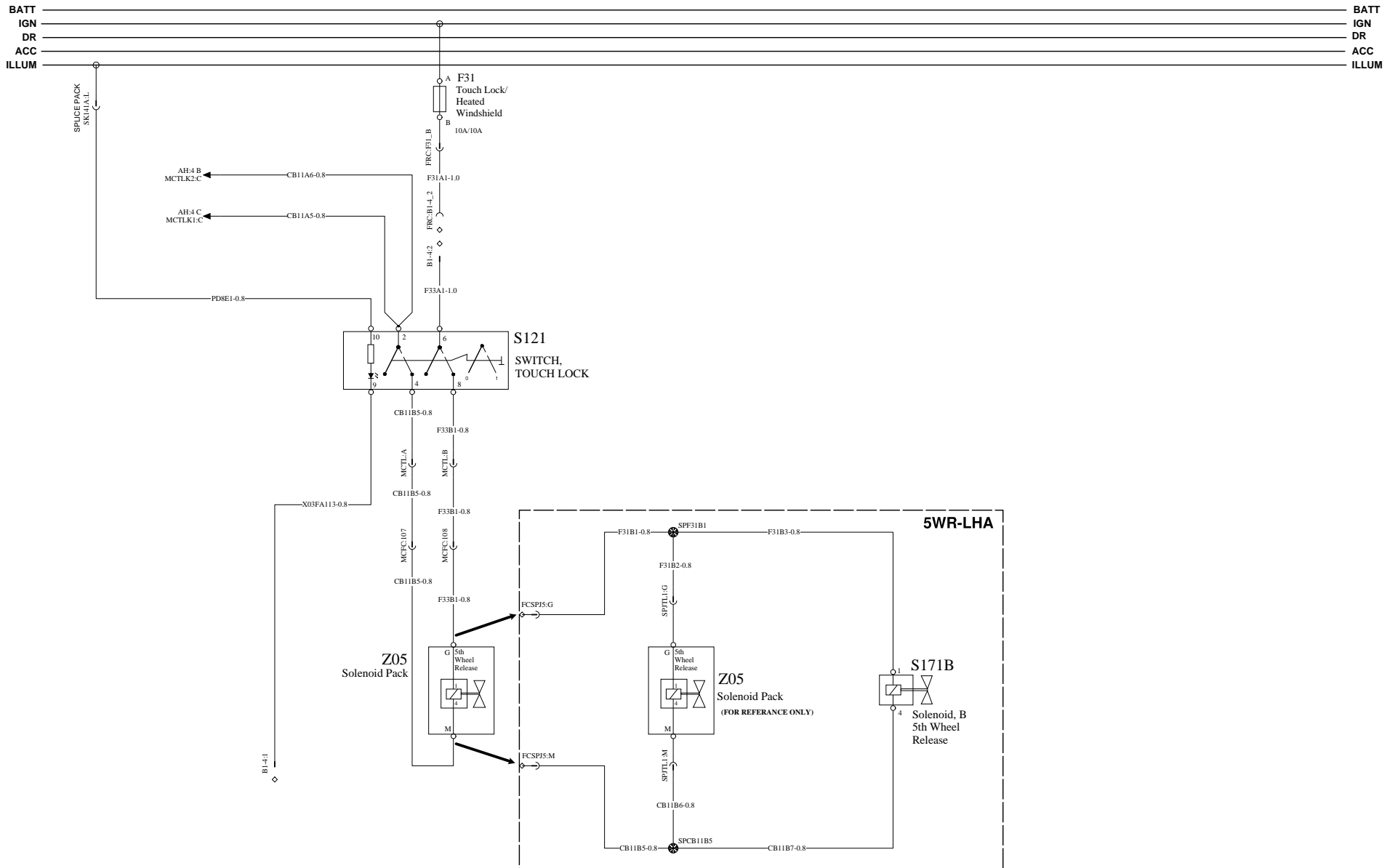
WIRING DIAGRAM: FD

BATT
IGN
DR
ACC
141



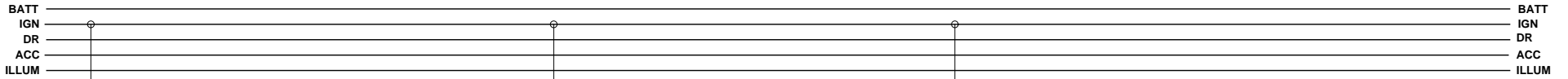
5TH WHEEL LOCK

WIRING DIAGRAM: FF



TIRE PRESSURE MONITORING SYSTEM

WIRING DIAGRAM: FG

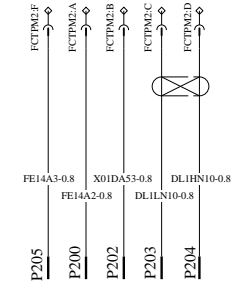
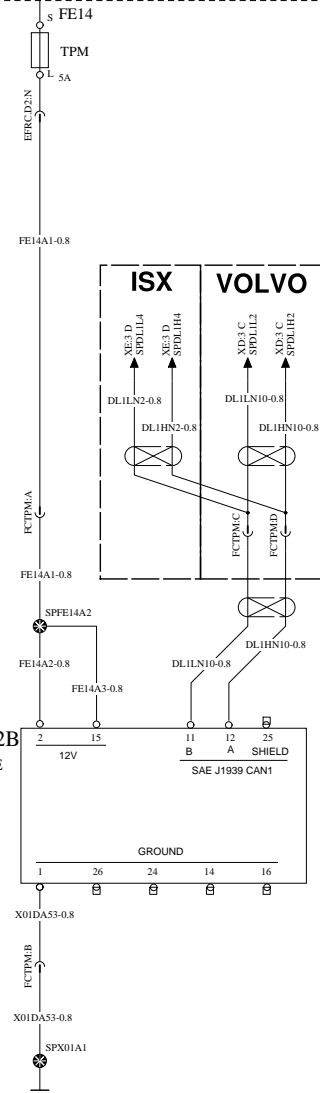
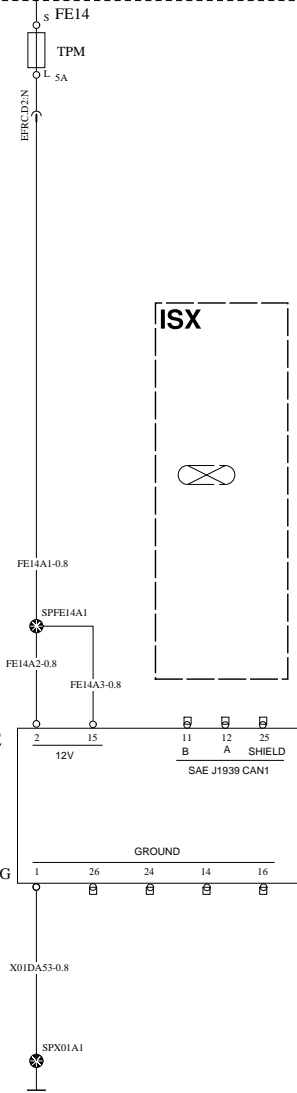
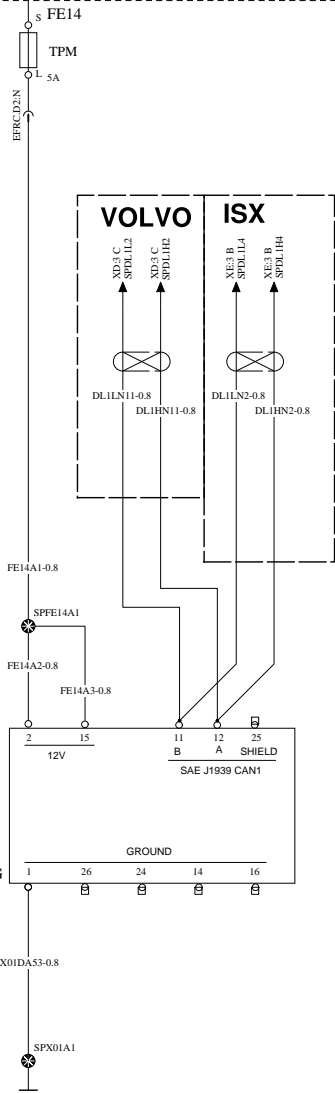


OBD13

OBD16

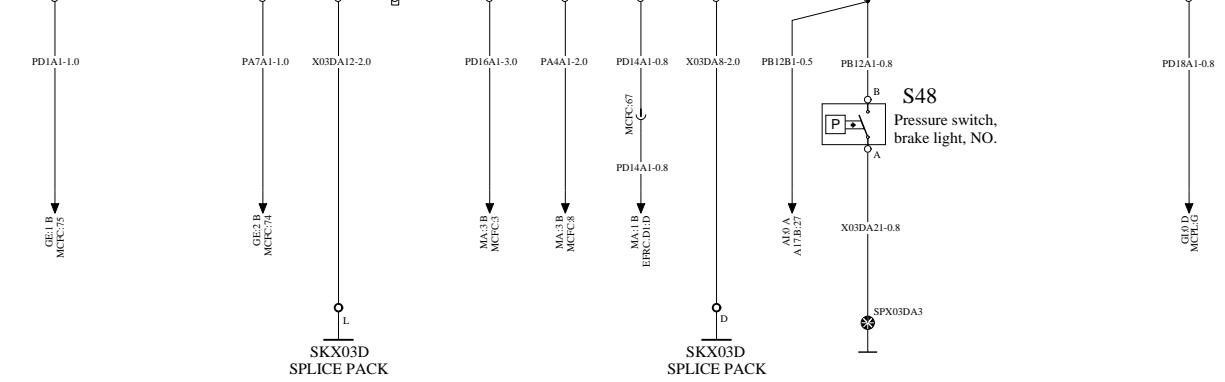
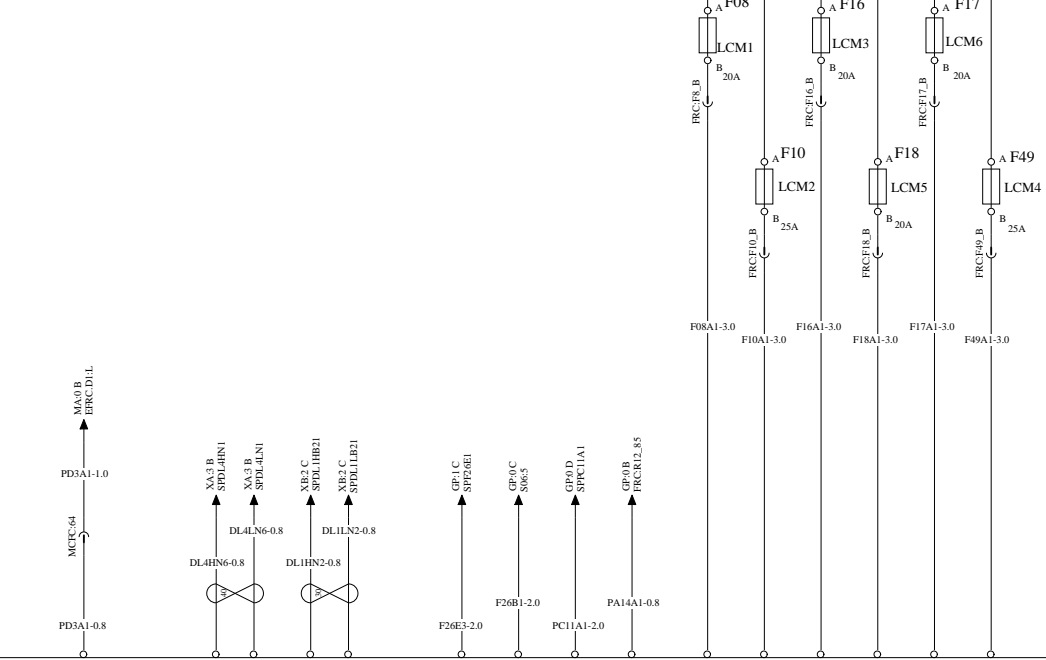
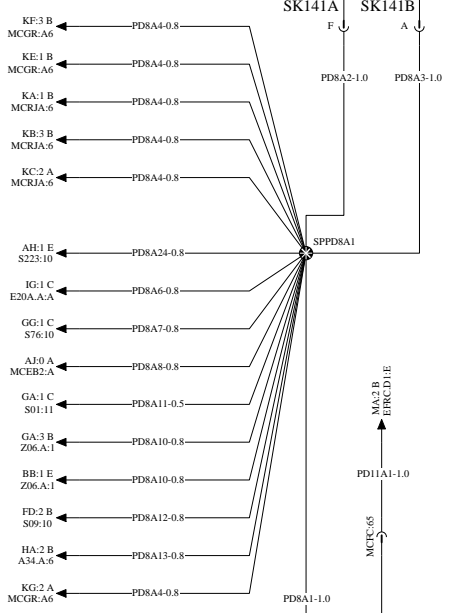
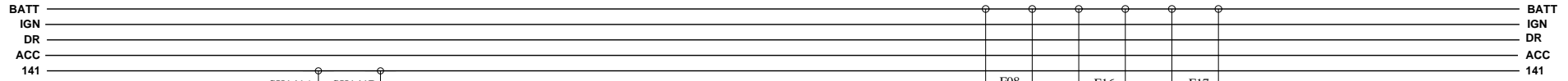
OBD17

SERVICE

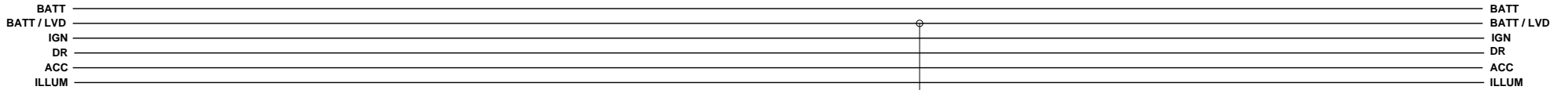


LIGHTING CONTROL 2/2

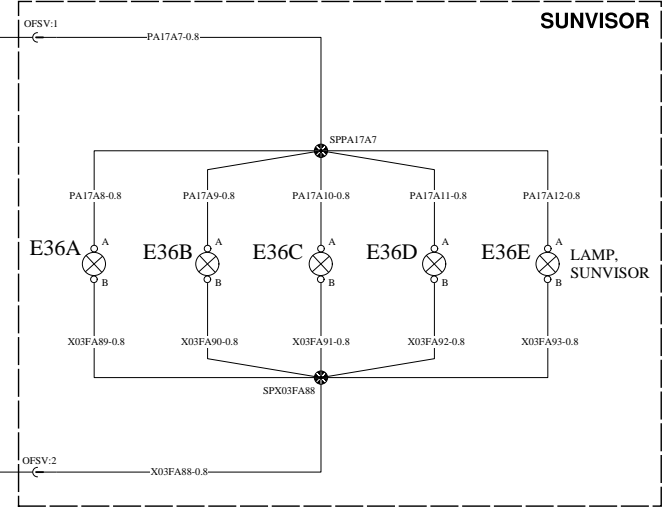
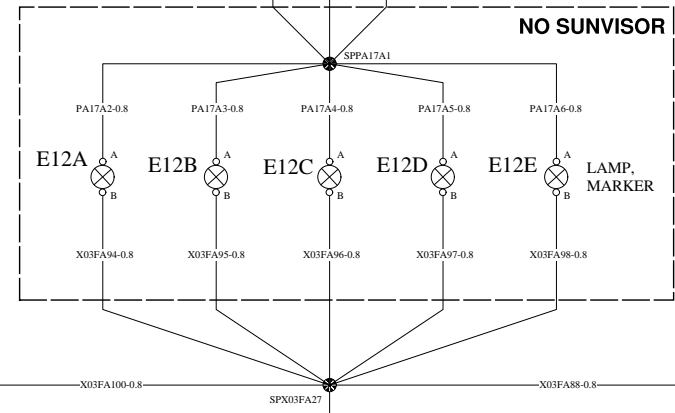
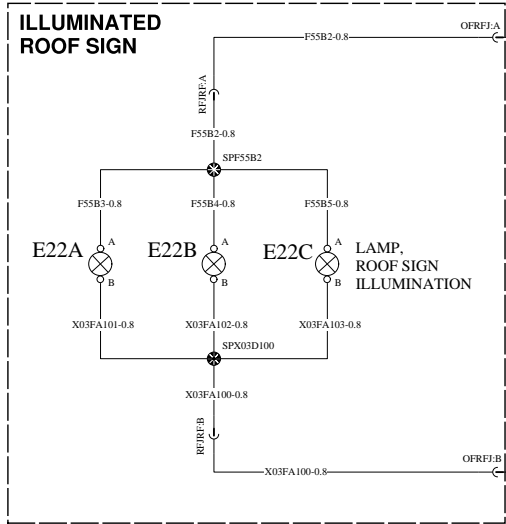
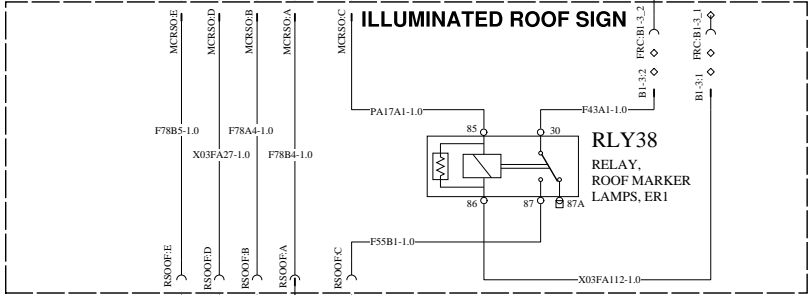
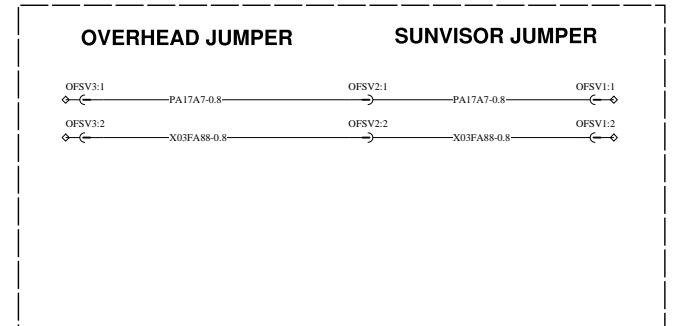
WIRING DIAGRAM: GB



MARKER LAMPS

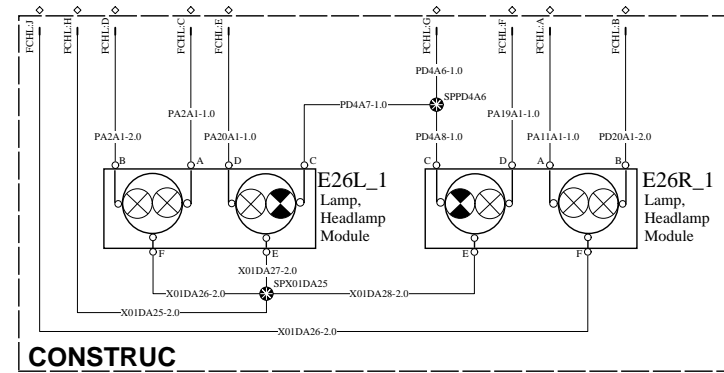
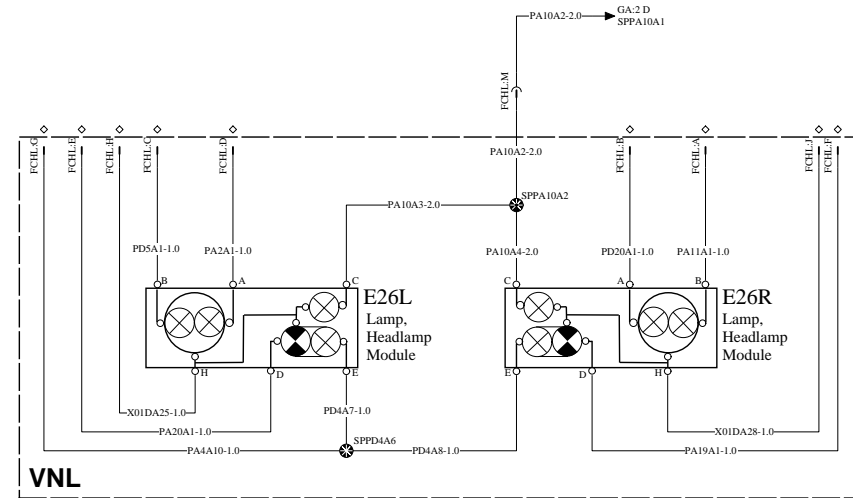
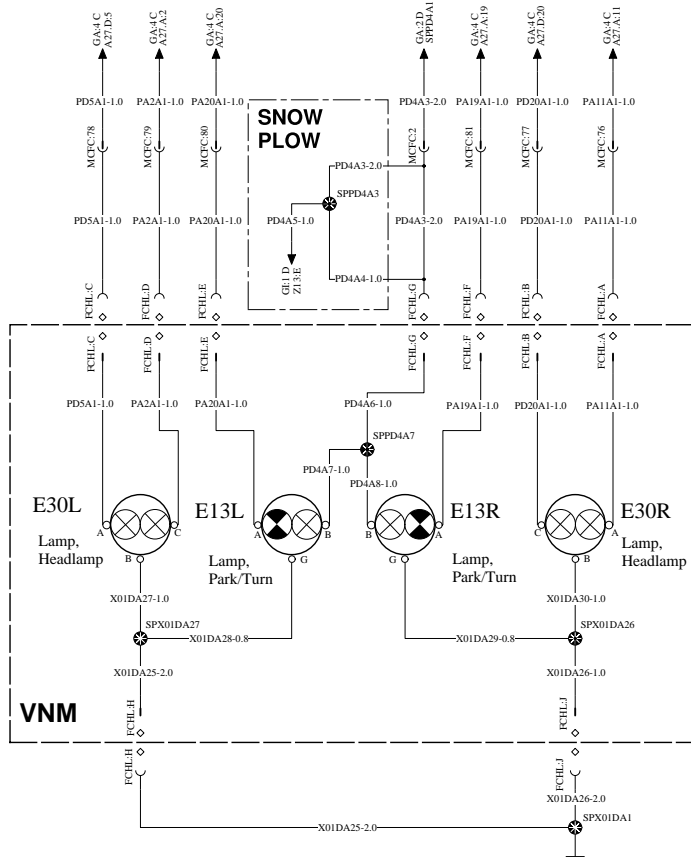
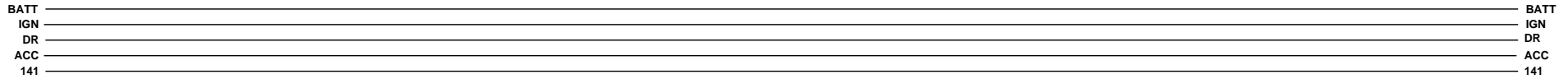


WIRING DIAGRAM: GC



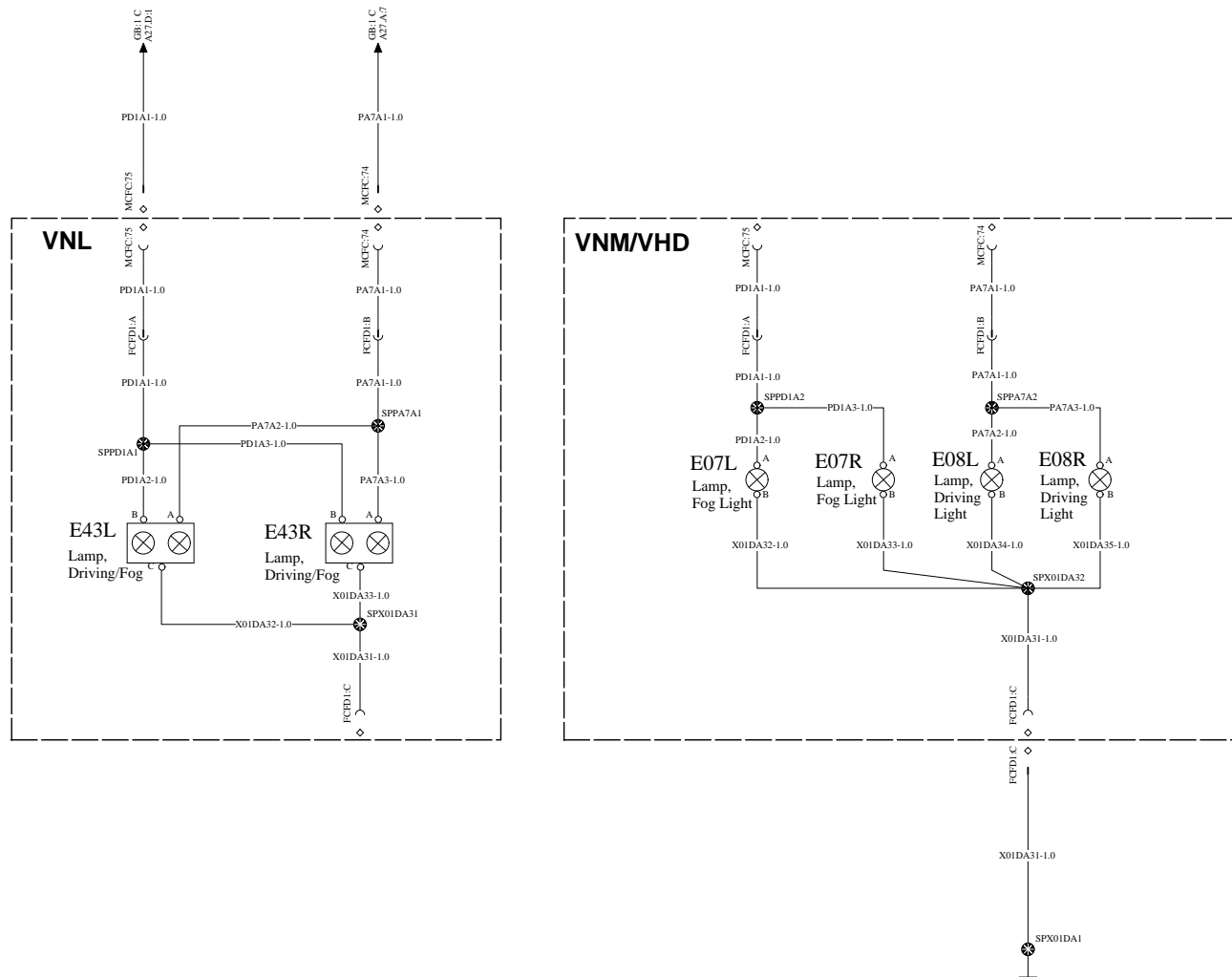
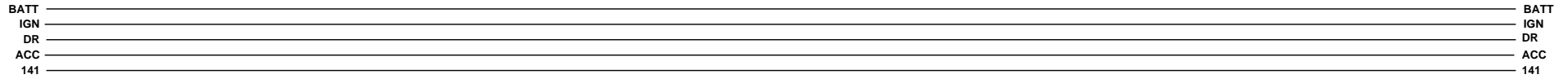
DRIVING LIGHTS

WIRING DIAGRAM: GD



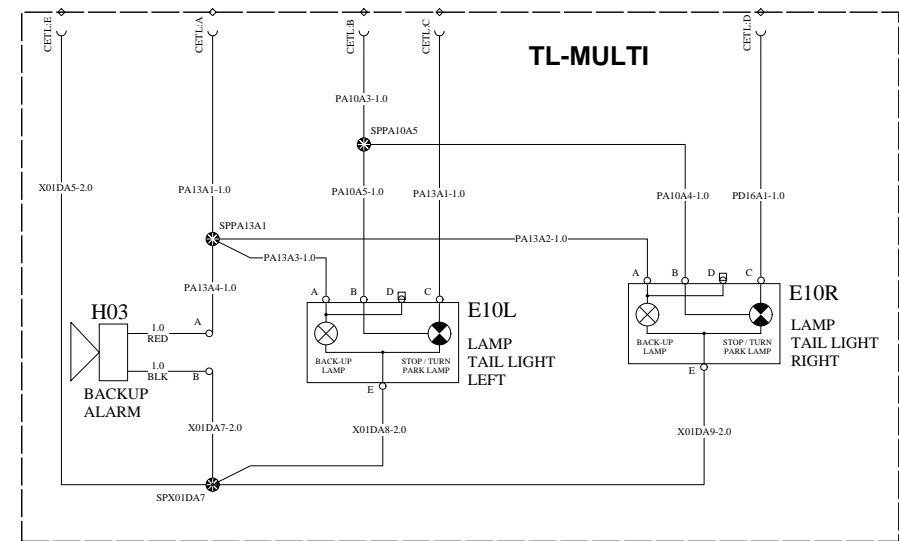
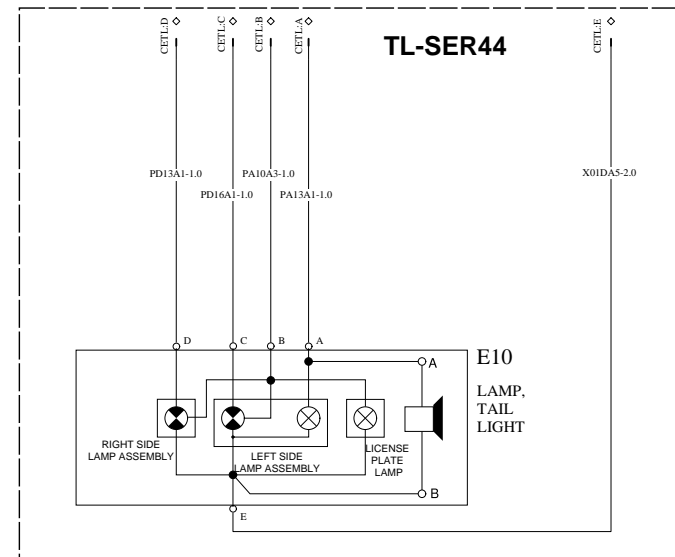
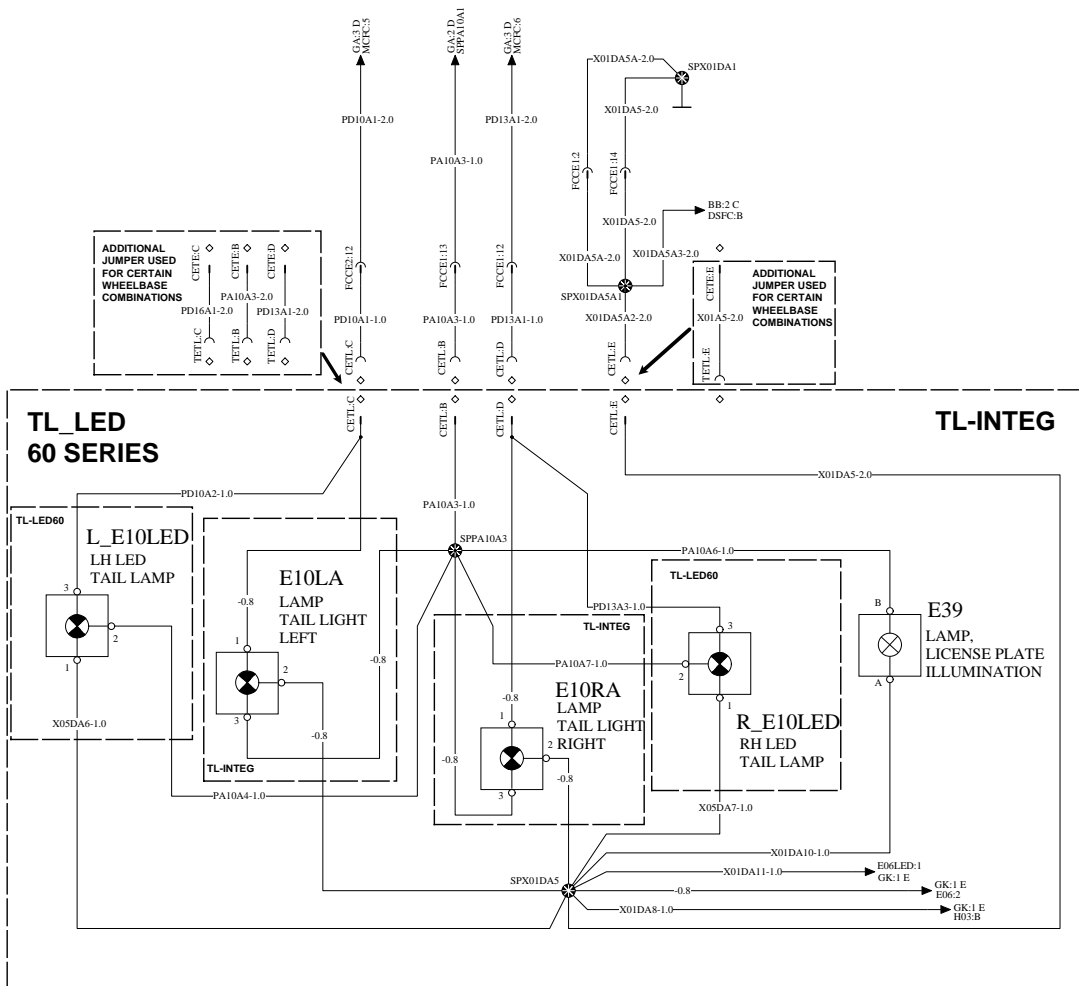
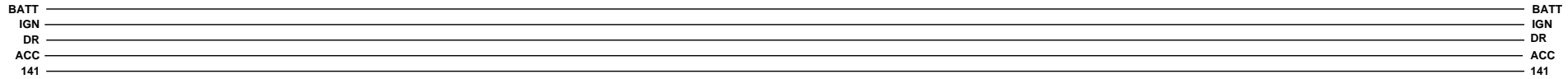
DRIVING/FOG LIGHTS

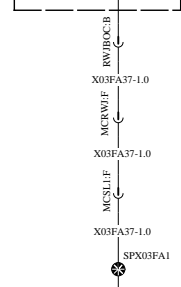
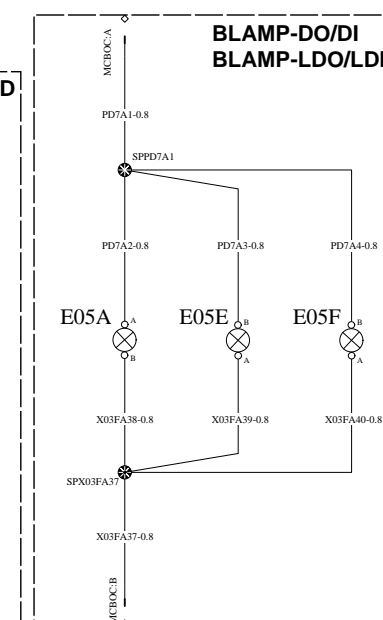
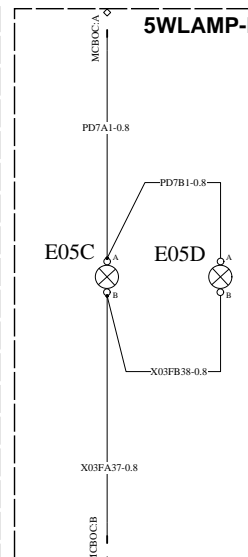
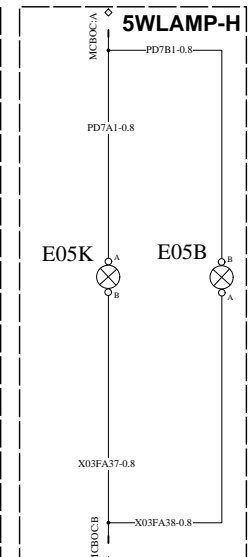
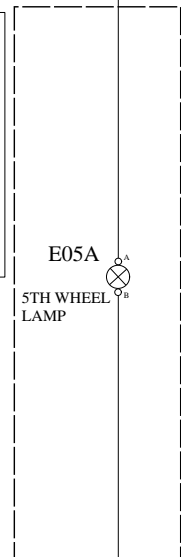
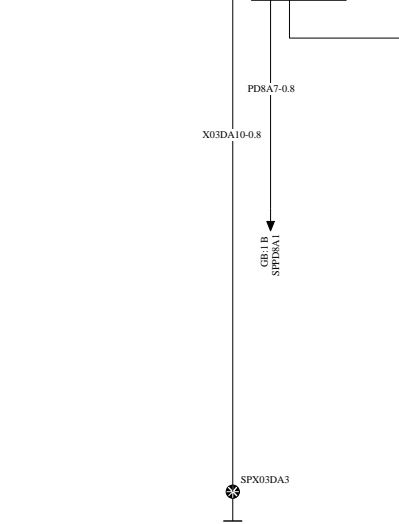
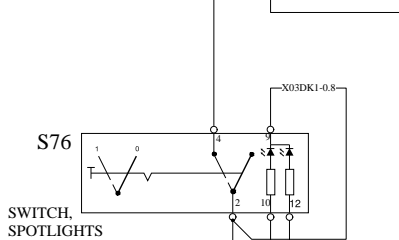
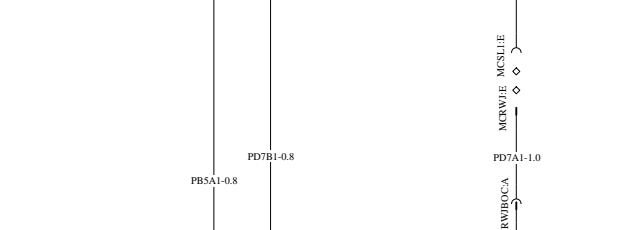
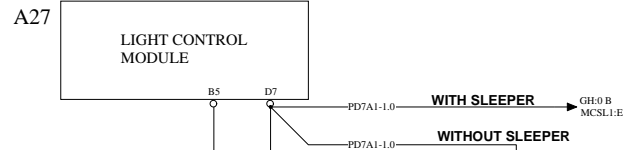
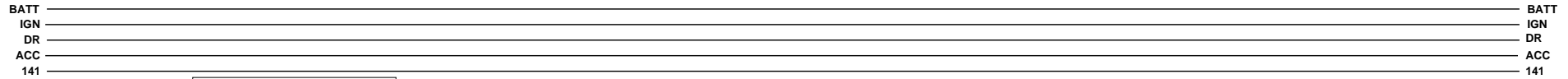
WIRING DIAGRAM: GE



TAIL LAMPS W/ALARM

WIRING DIAGRAM: GF

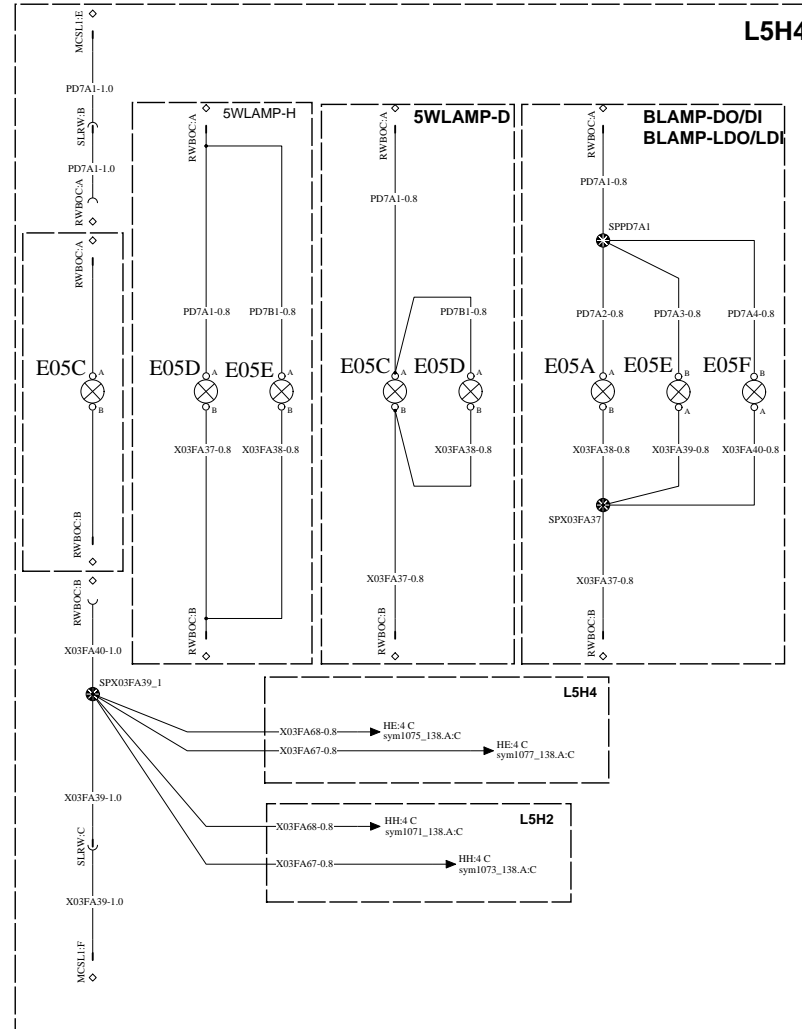
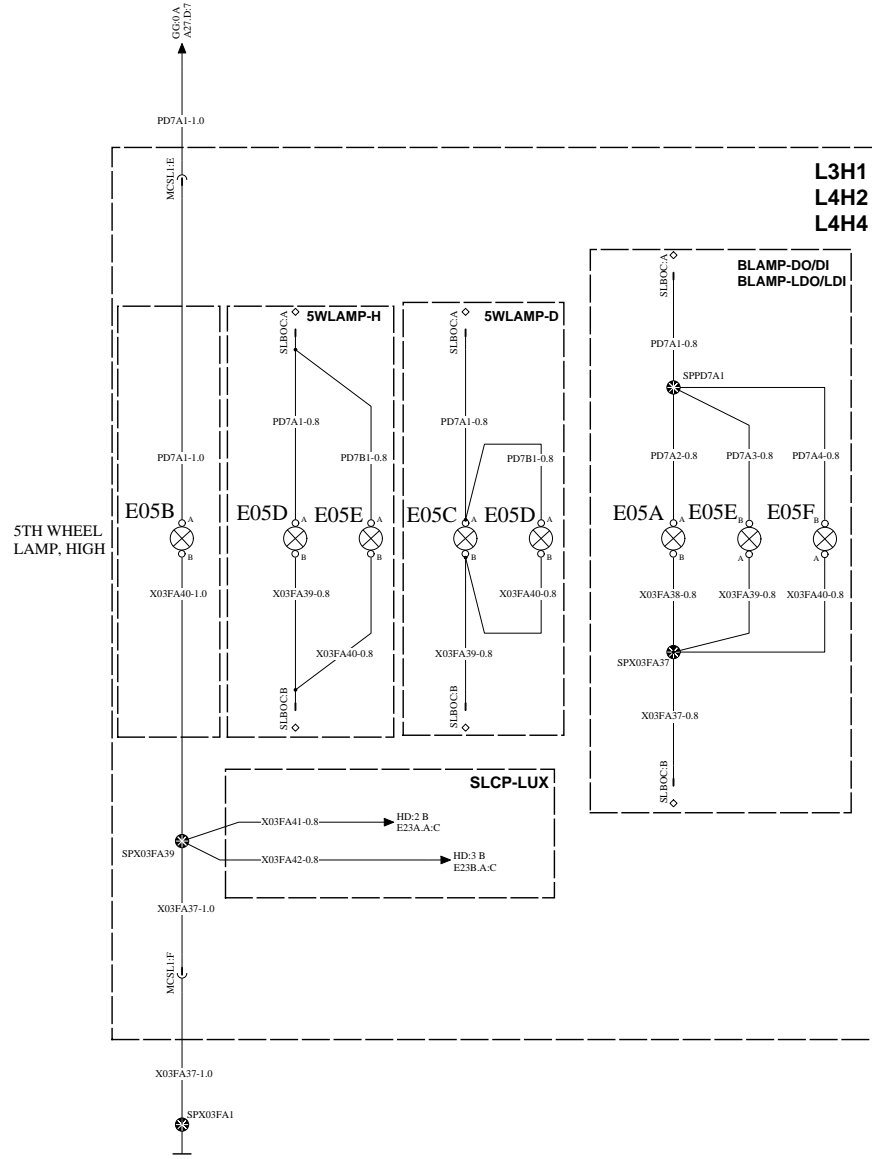




BACK OF CAB LAMPS L3 - L5

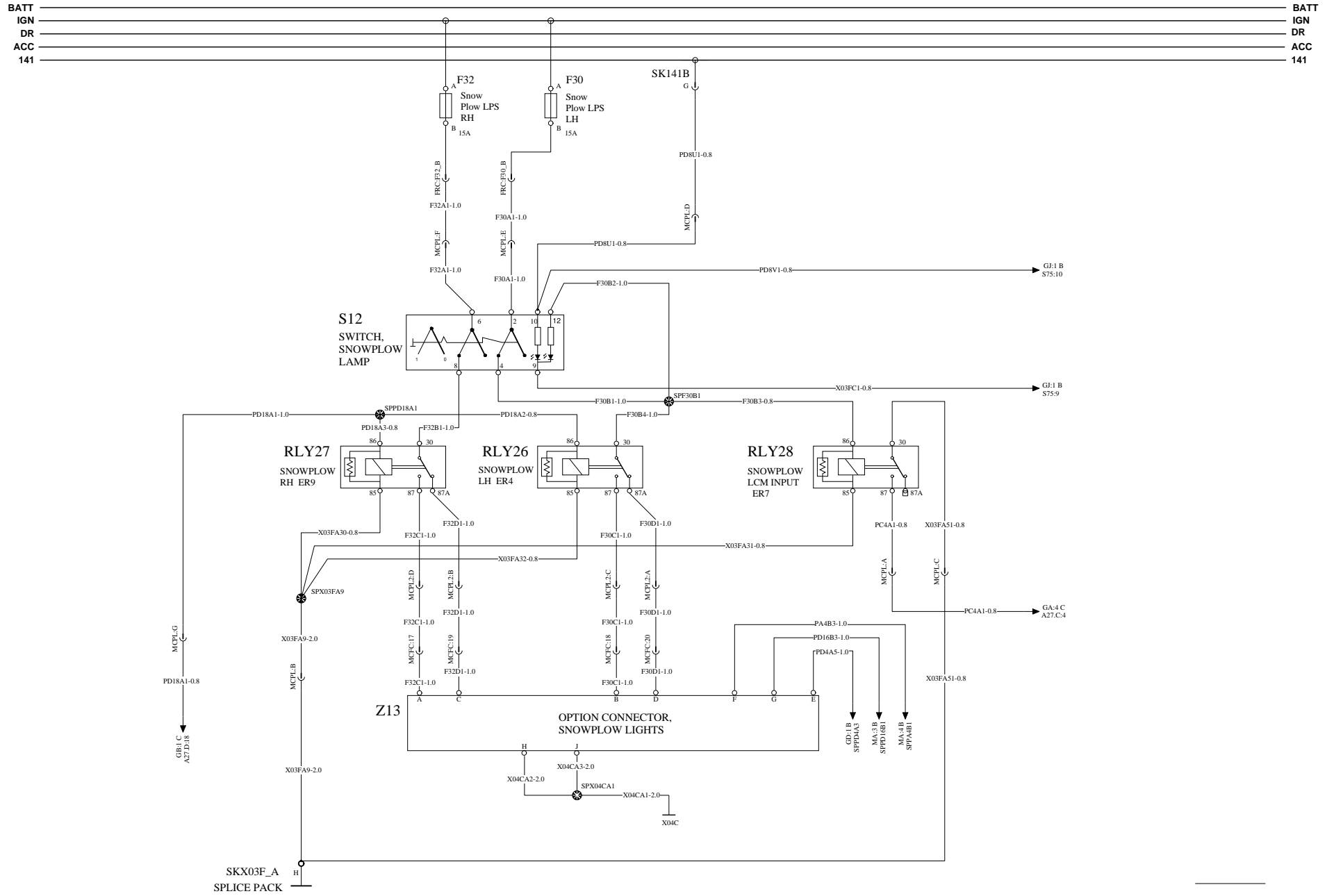
WIRING DIAGRAM: GH

BATT _____ BATT
 IGN _____ IGN
 DR _____ DR
 ACC _____ ACC
 141 _____ 141



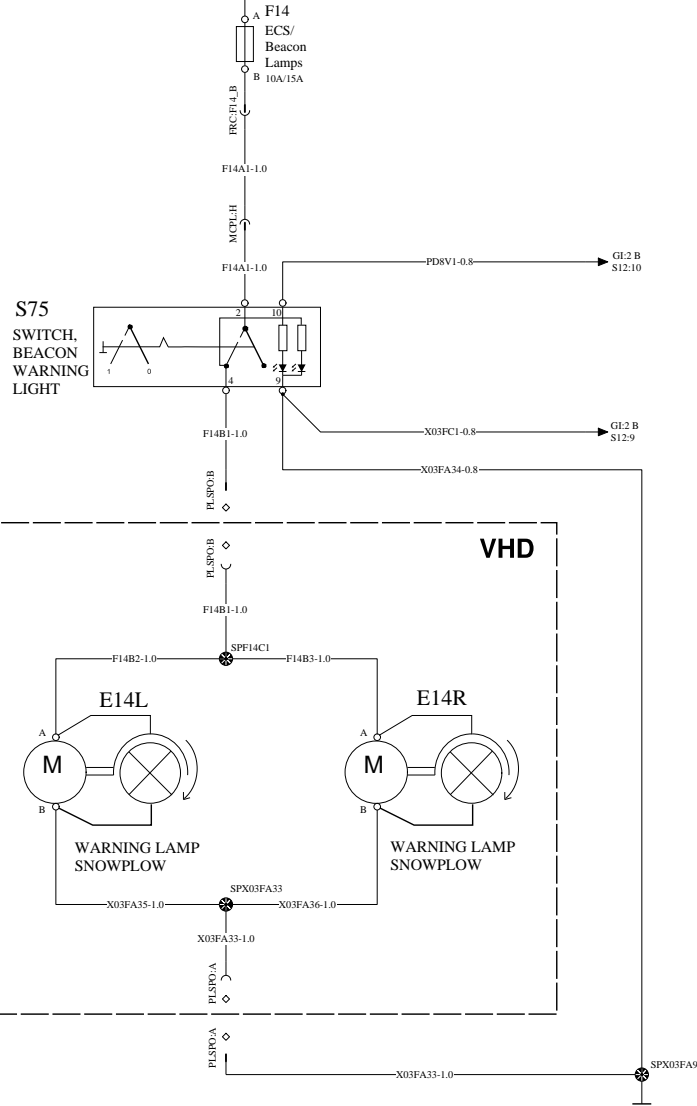
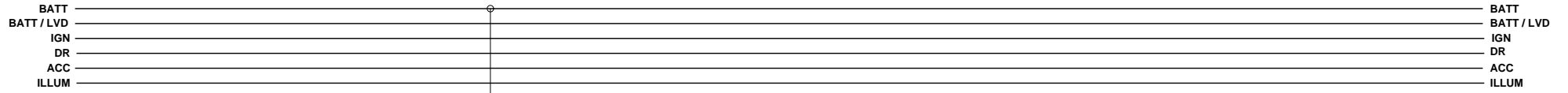
SNOW PLOW AND BEACON LAMPS

WIRING DIAGRAM: GI



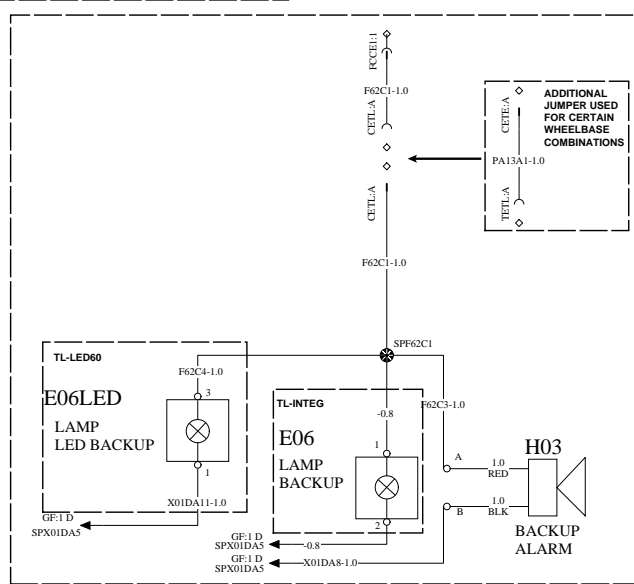
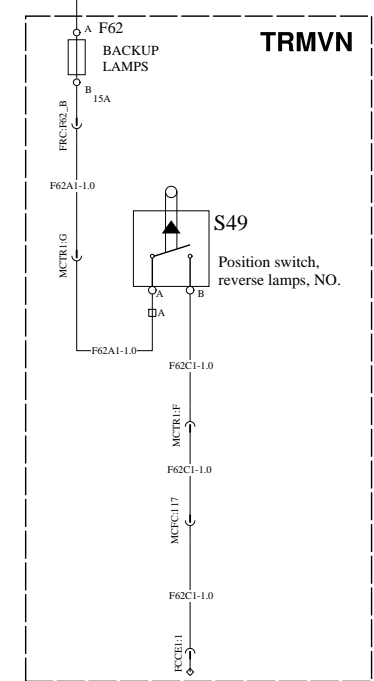
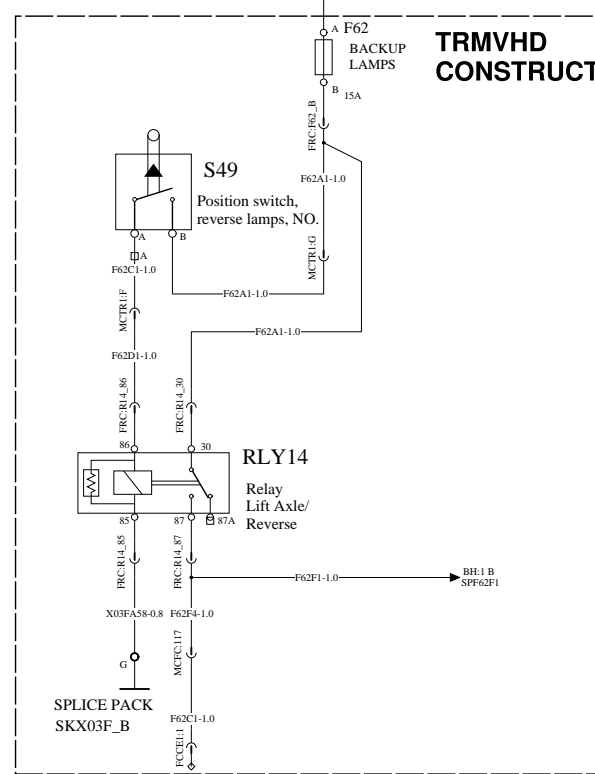
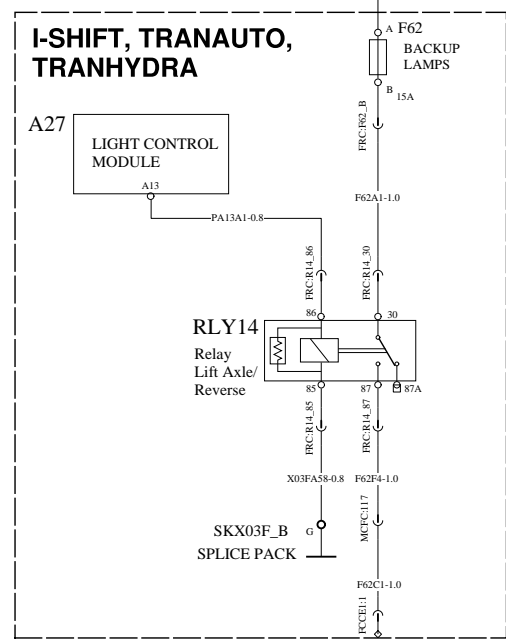
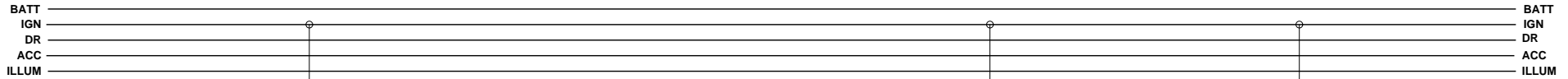
BEACON LAMPS

WIRING DIAGRAM: GJ



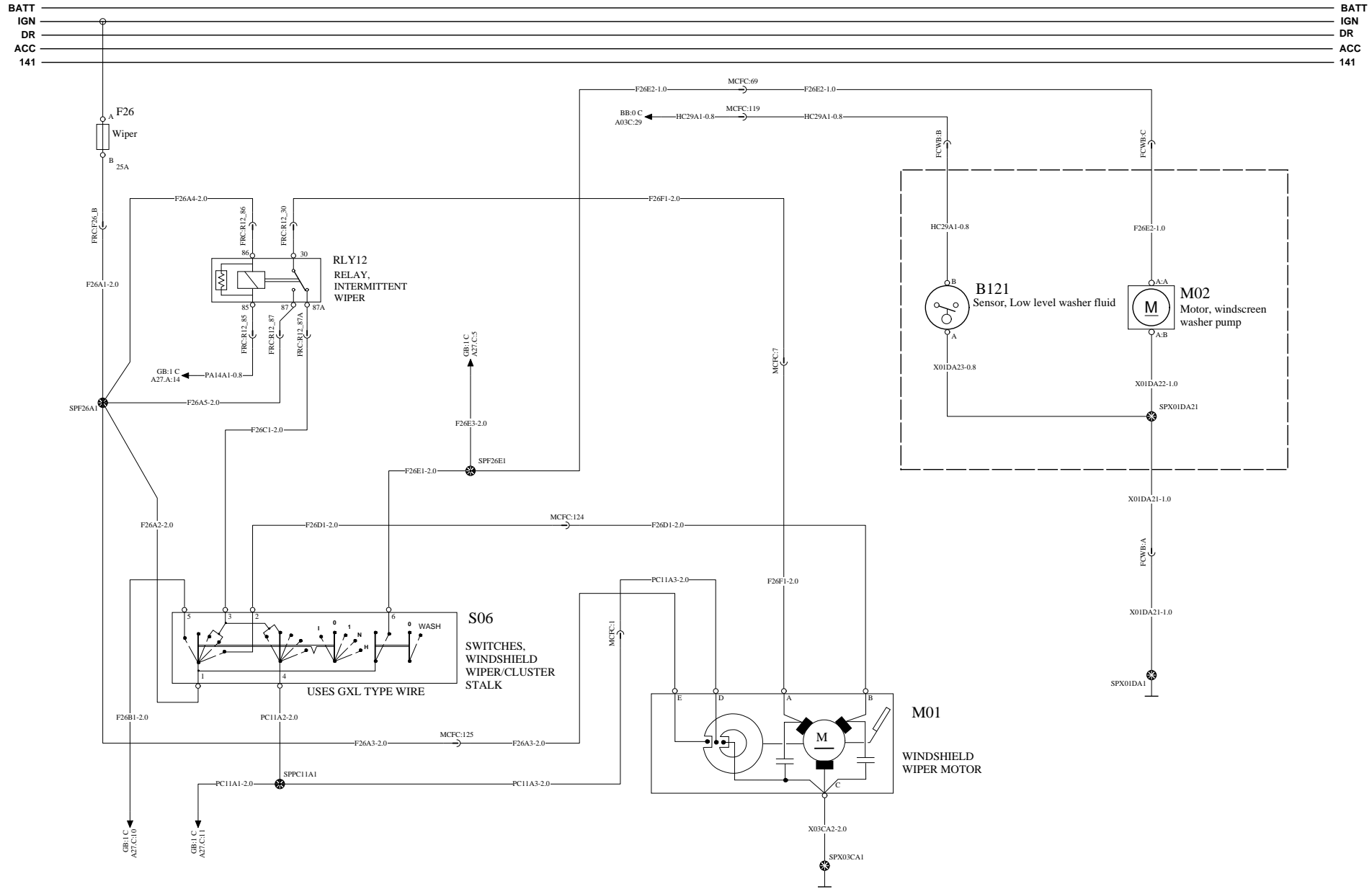
BACKUP LAMPS WITH ALARM

WIRING DIAGRAM: GK



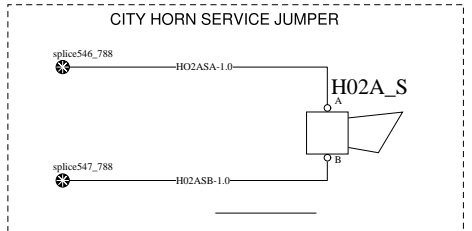
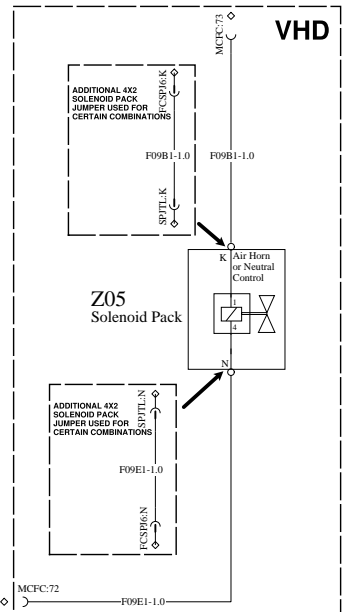
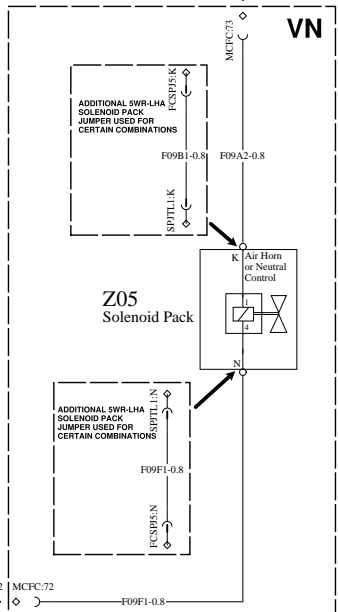
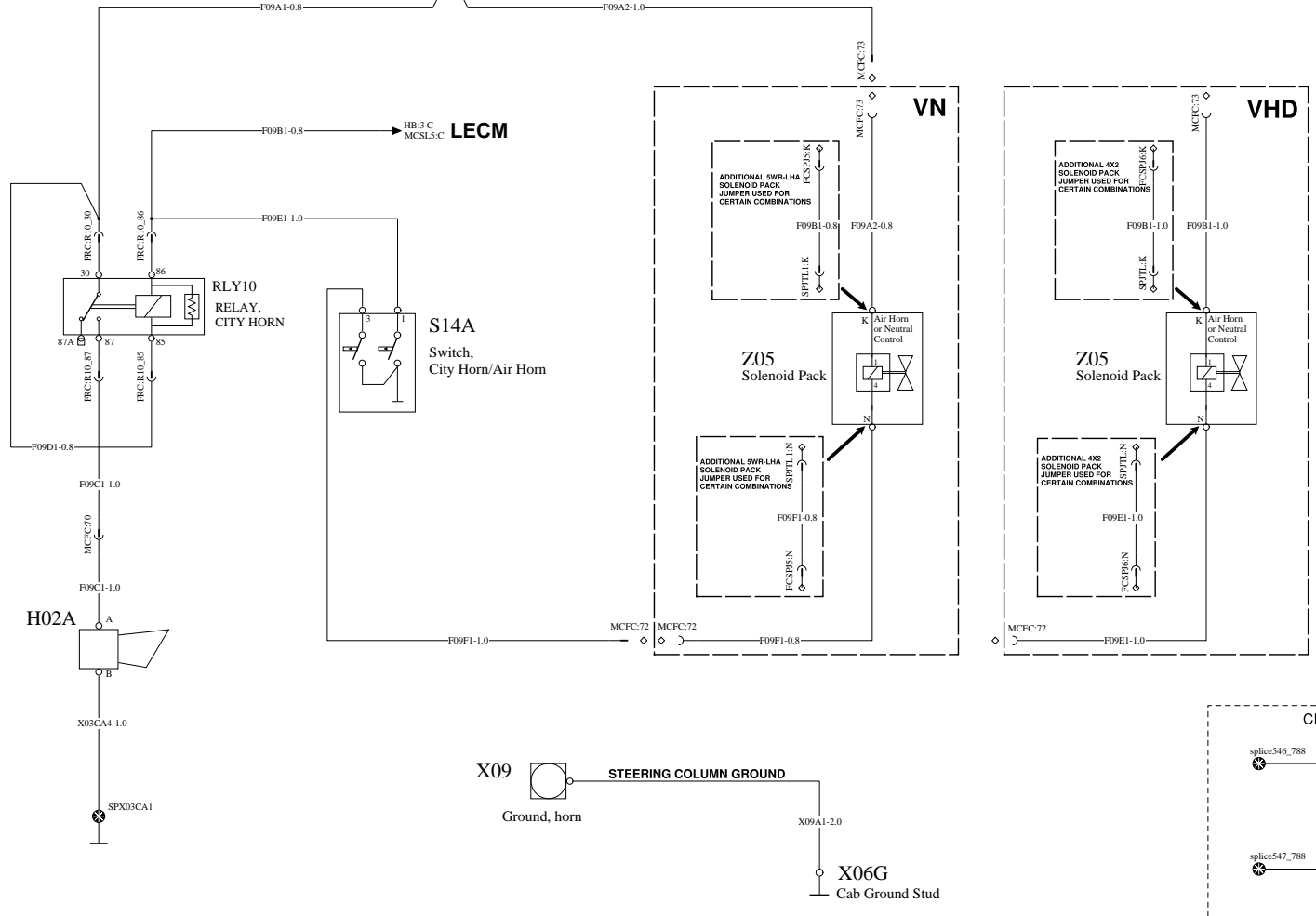
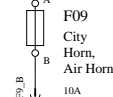
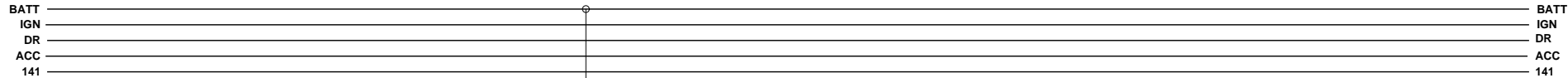
WINGSHIELD WASHER

WIRING DIAGRAM: GP



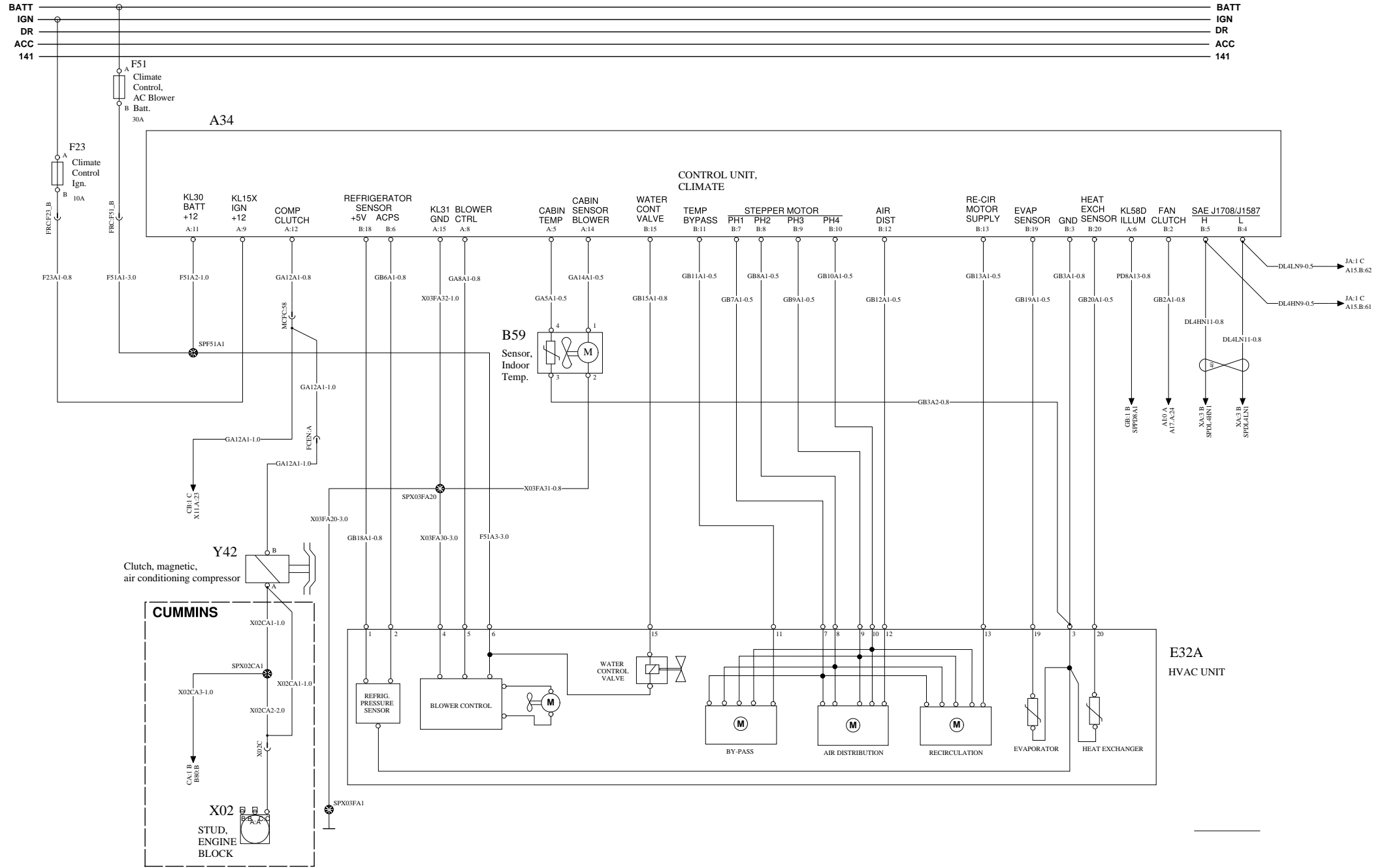
HORN

WIRING DIAGRAM: GQ



CLIMATE CONTROL

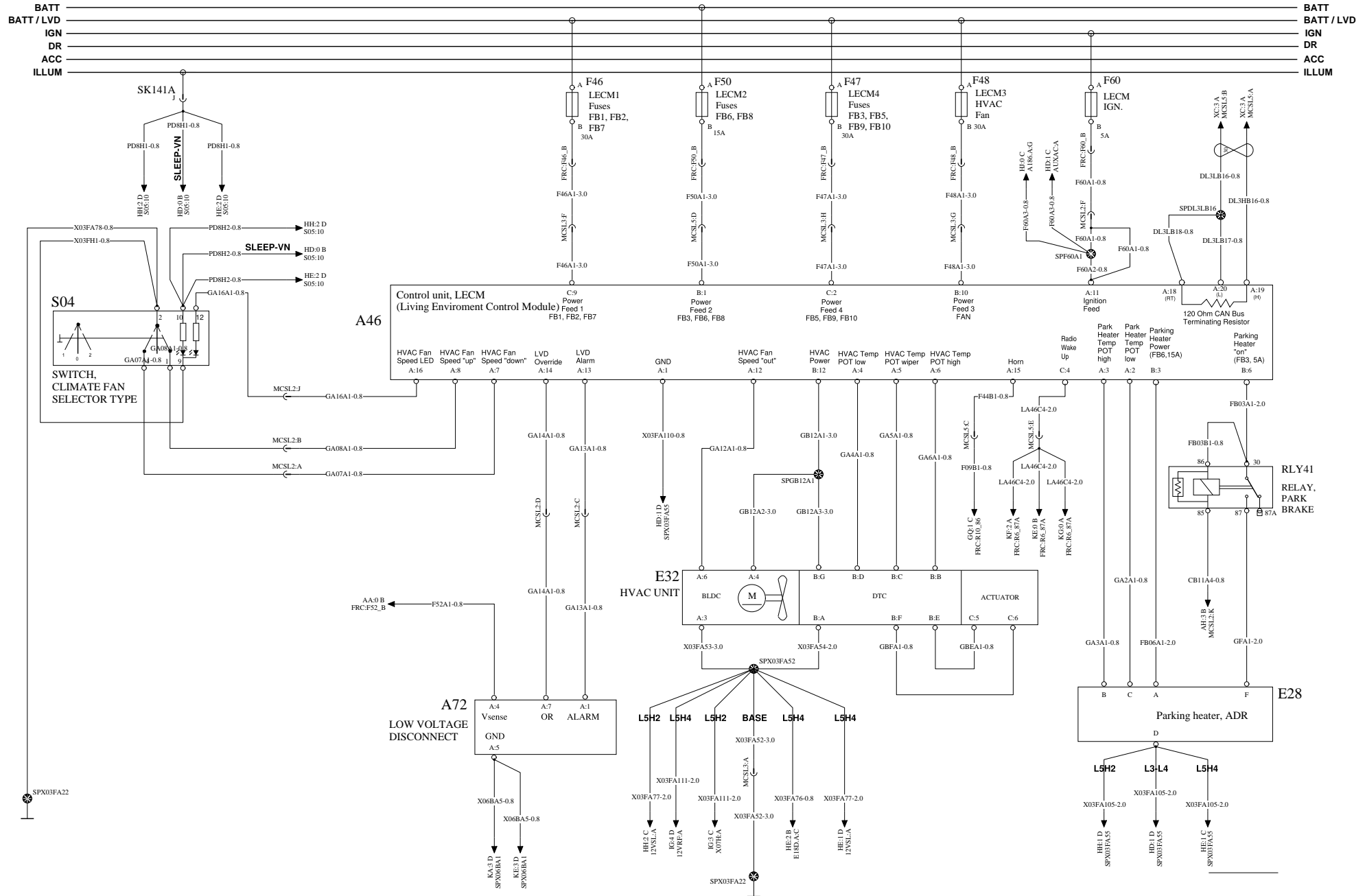
WIRING DIAGRAM: HA



VOLVO Group Trucks Technology	Document title	Document No	Issue	Volume	Page
	12V SCHEMATIC VOLVO	21849527	09	1 (2)	70 (110)
	Document type				
	PRODUCT SCHEMATIC				

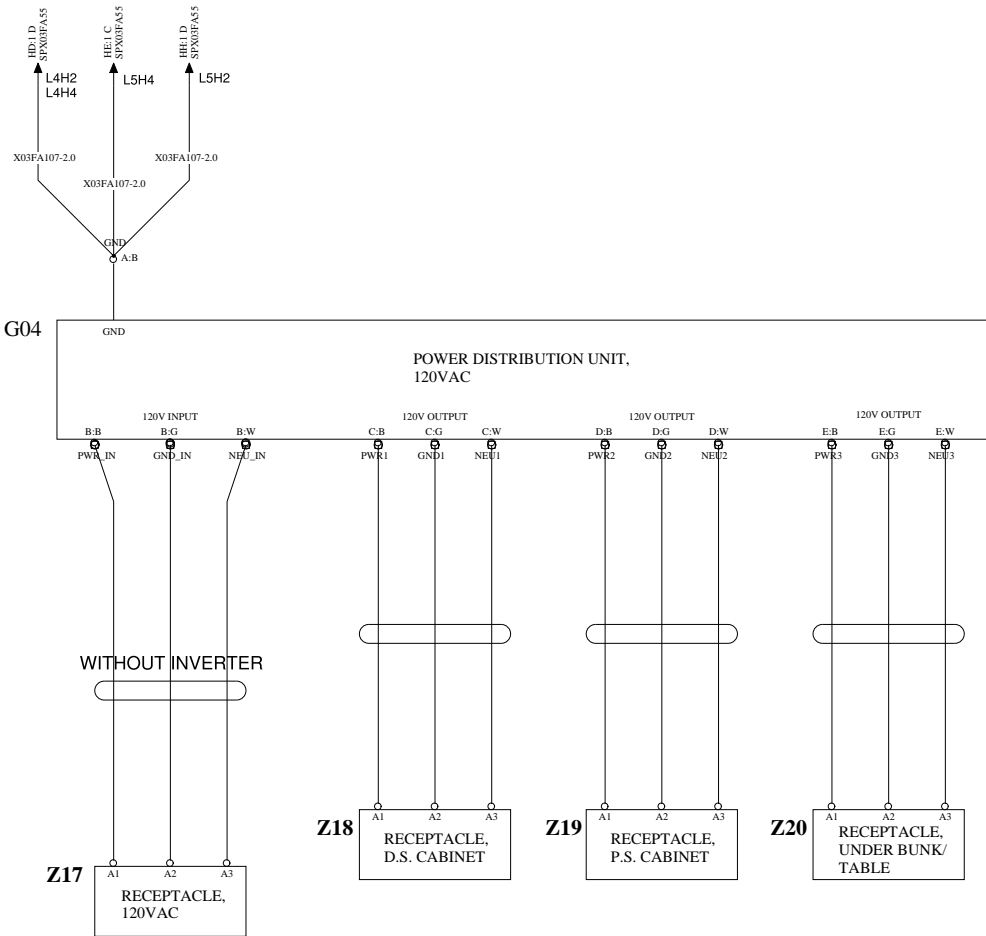
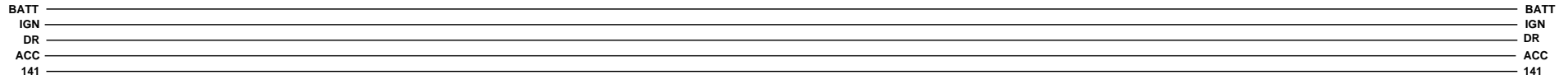
SLEEPER CLIMATE CONTROL W.LECM

WIRING DIAGRAM: HB



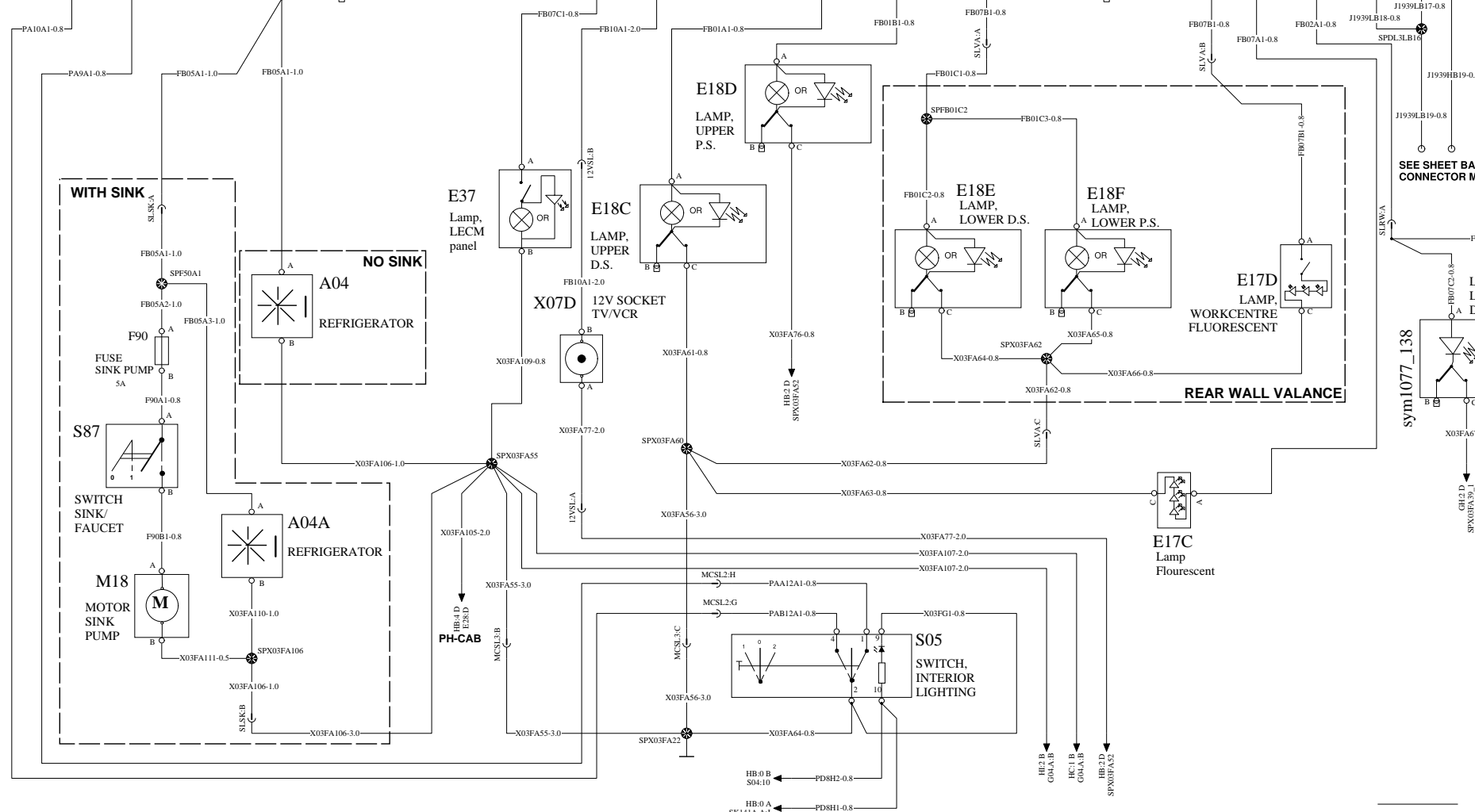
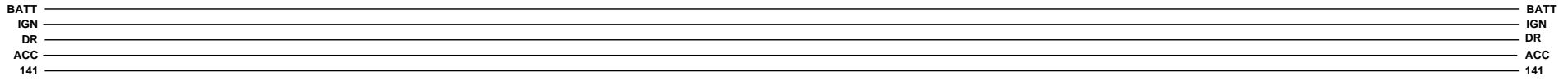
SHORE POWER

WIRING DIAGRAM: HC



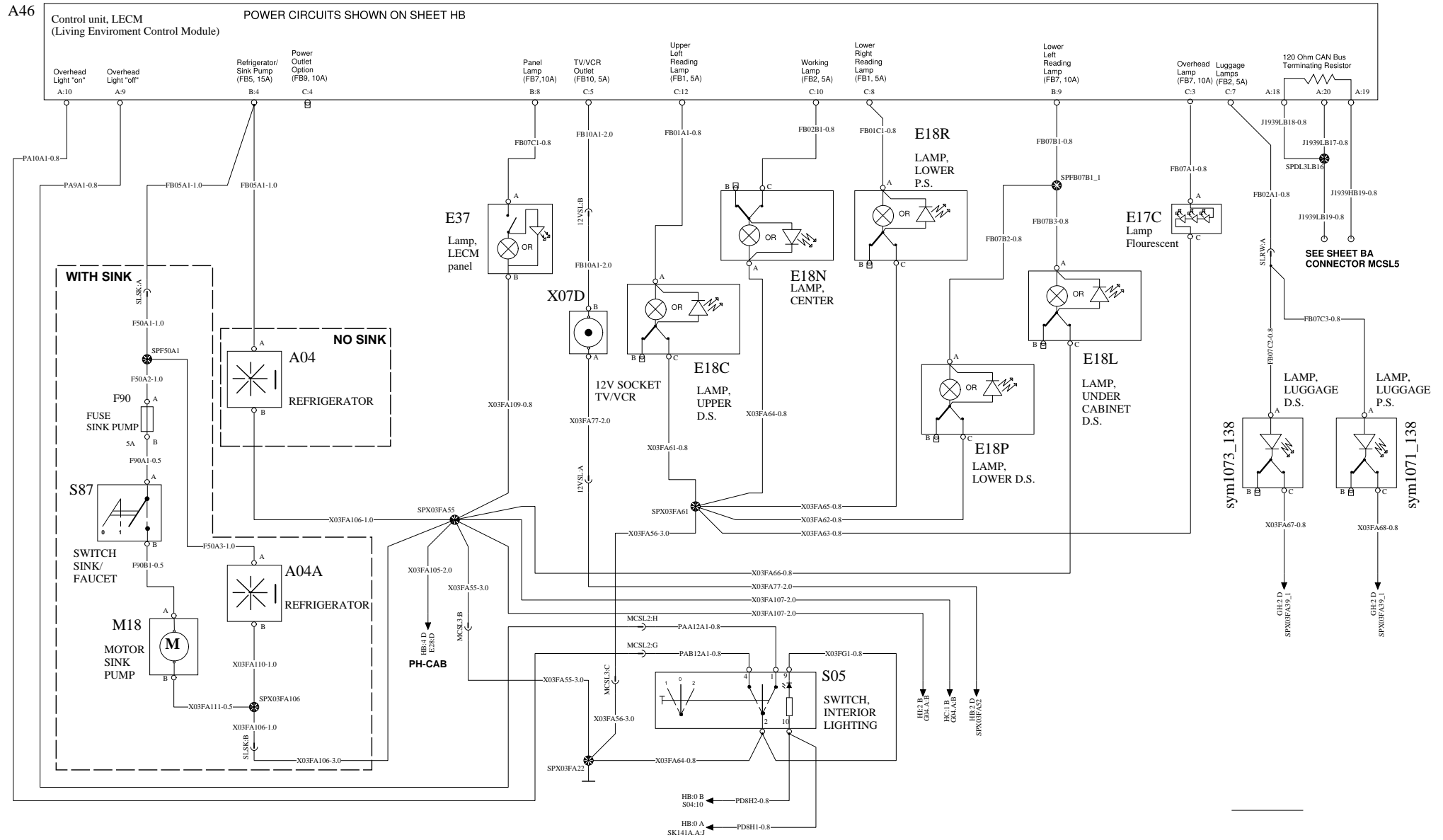
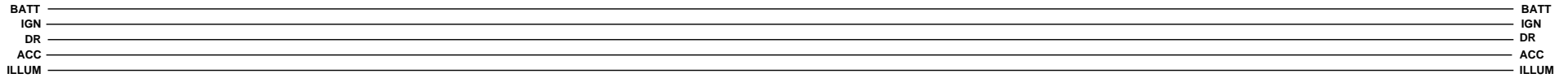
L5H4 SLEEPER FUNCTIONS

WIRING DIAGRAM: HE



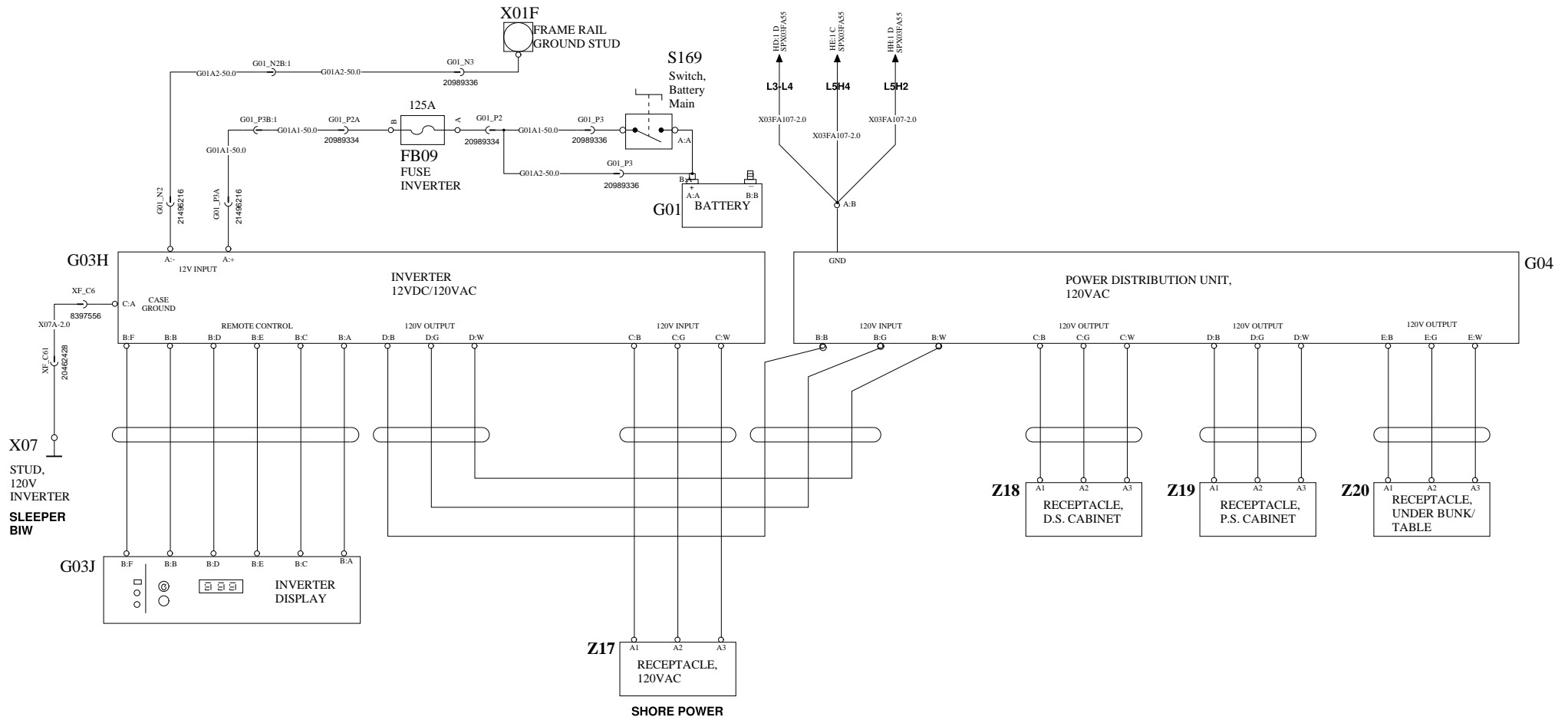
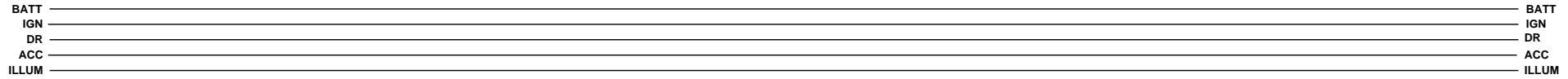
L5H2 SLEEPER FUNCTIONS/LIGHTING/REFRIGERATOR

WIRING DIAGRAM: HH



CAB MNT. INVERTER W/SHORE POWER

WIRING DIAGRAM: HI

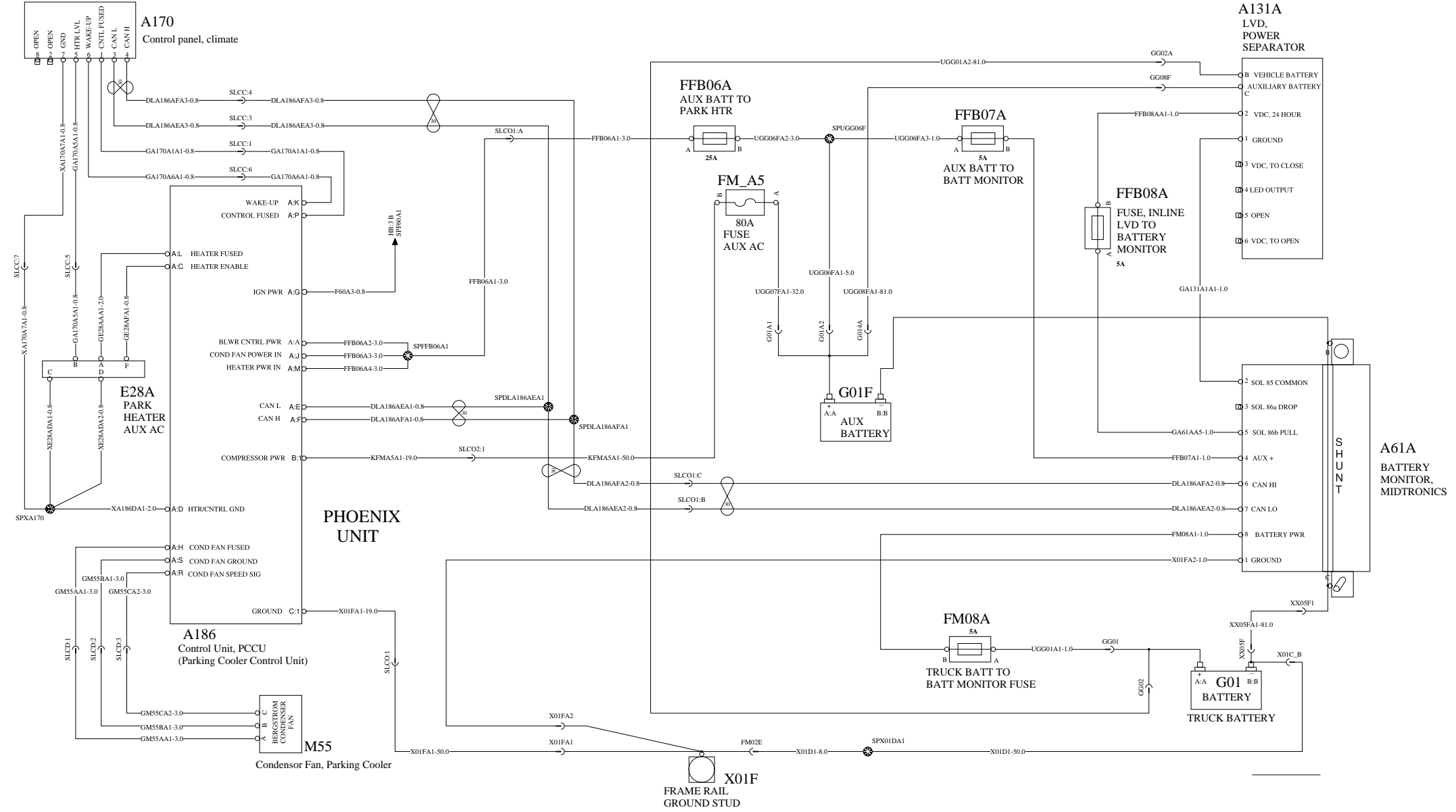


AUXILIARY 12V PARK COOLING SYSTEM 1/2

WIRING DIAGRAM: HJ

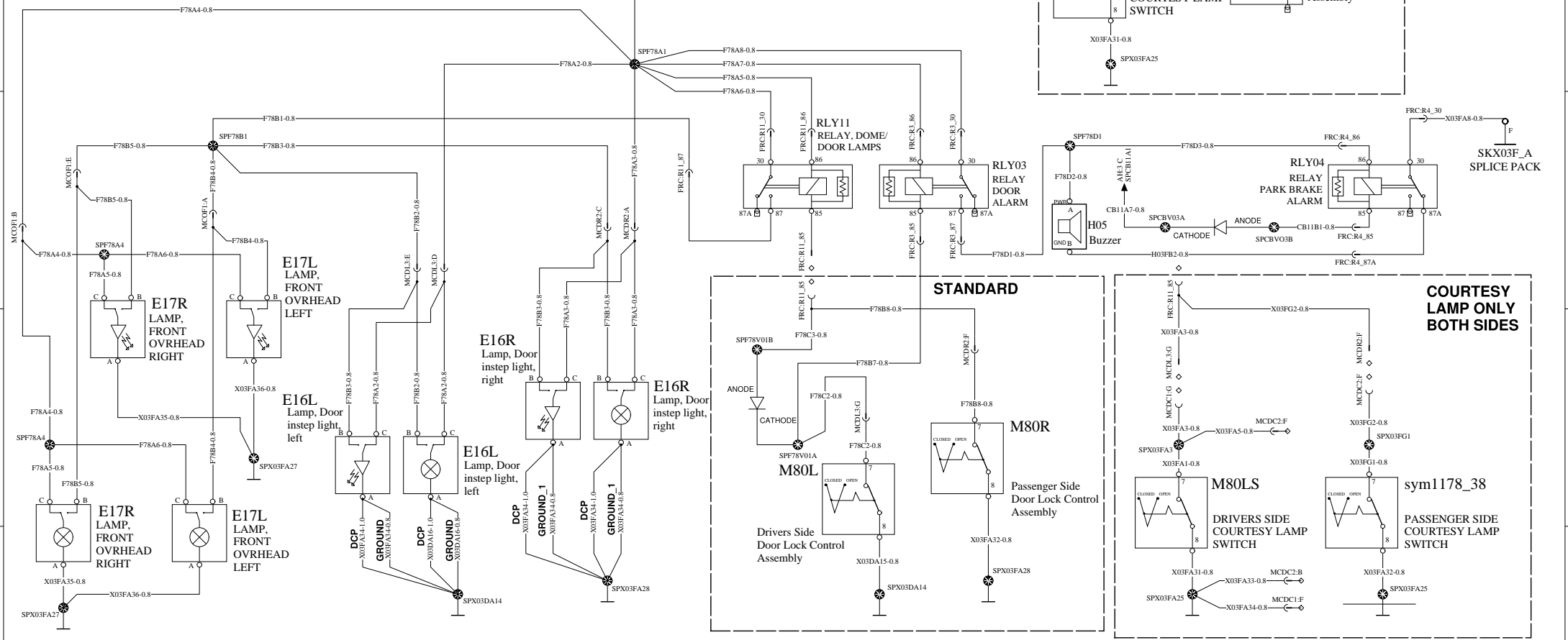
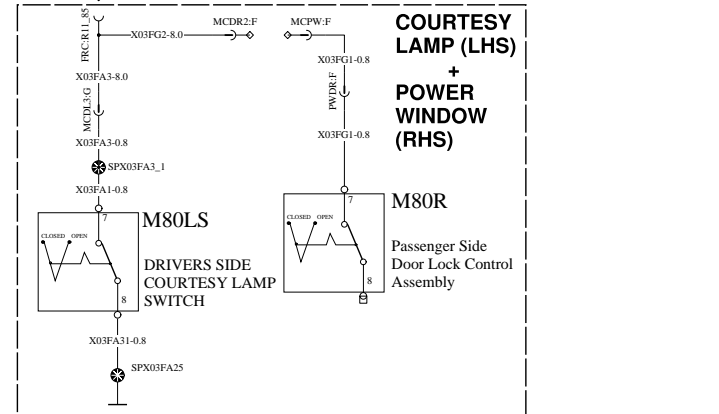
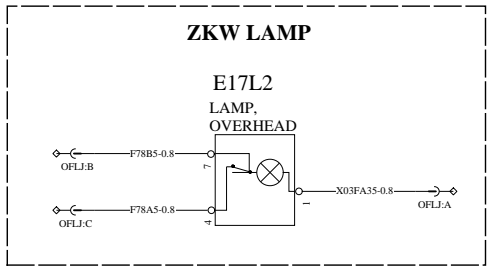
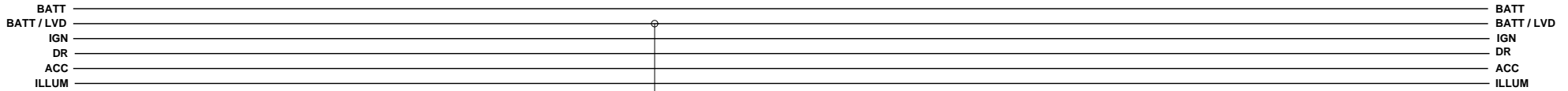
BATT
BATT / LVD
IGN
DR
ACC
ILLUM

BATT
BATT / LVD
IGN
DR
ACC
ILLUM



INTERIOR COURTESY LIGHTS

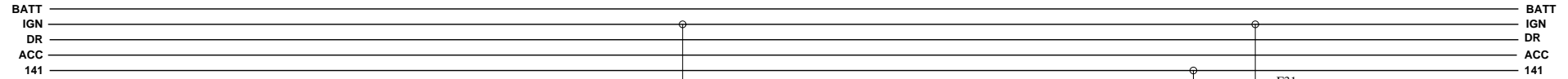
WIRING DIAGRAM: IA



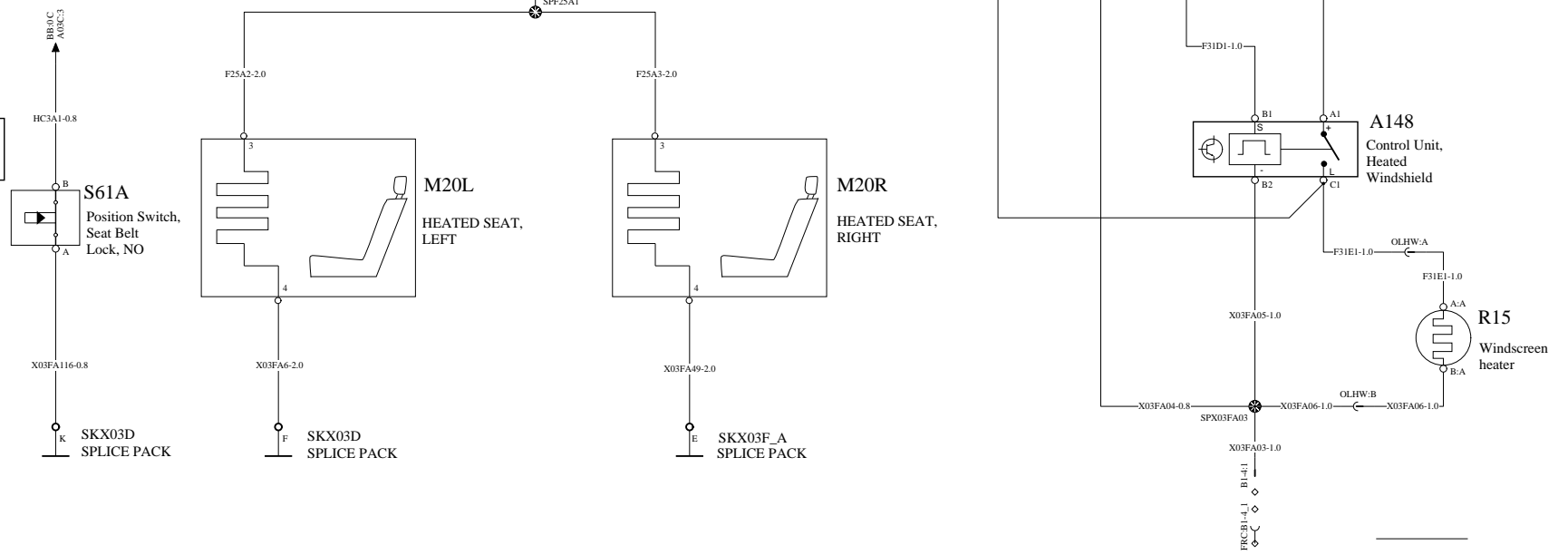
Document title 12V SCHEMATIC VOLVO	Document No 21849527	Issue 09	Volume 1 (2)	Page 78 (110)
Document type PRODUCT SCHEMATIC				

HEATED SEATS/SEATBELT REMINDER/HEATED WINDSHIELD

WIRING DIAGRAM: IB

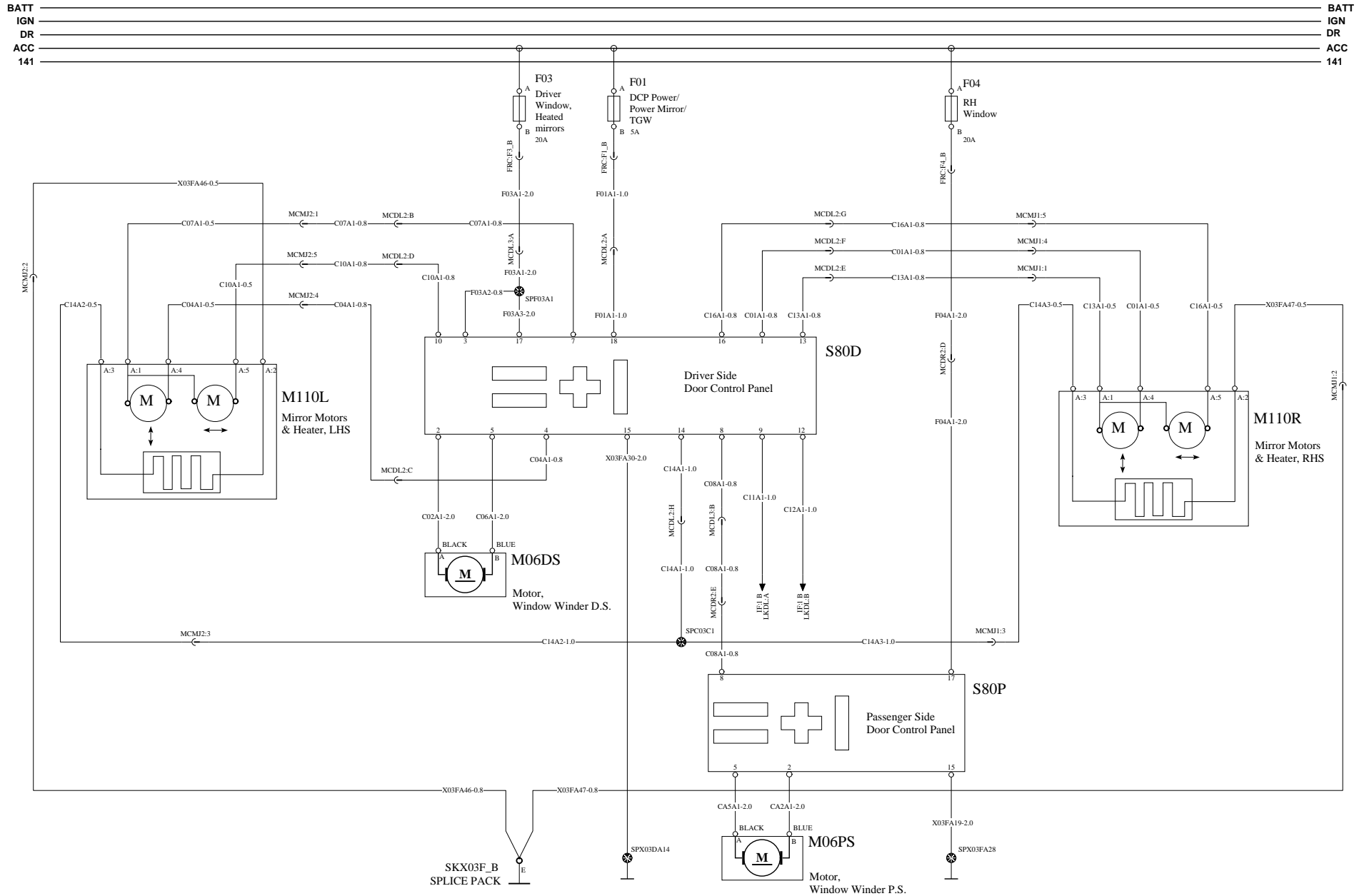


Note: S61A is closed when the seat belt is latched.



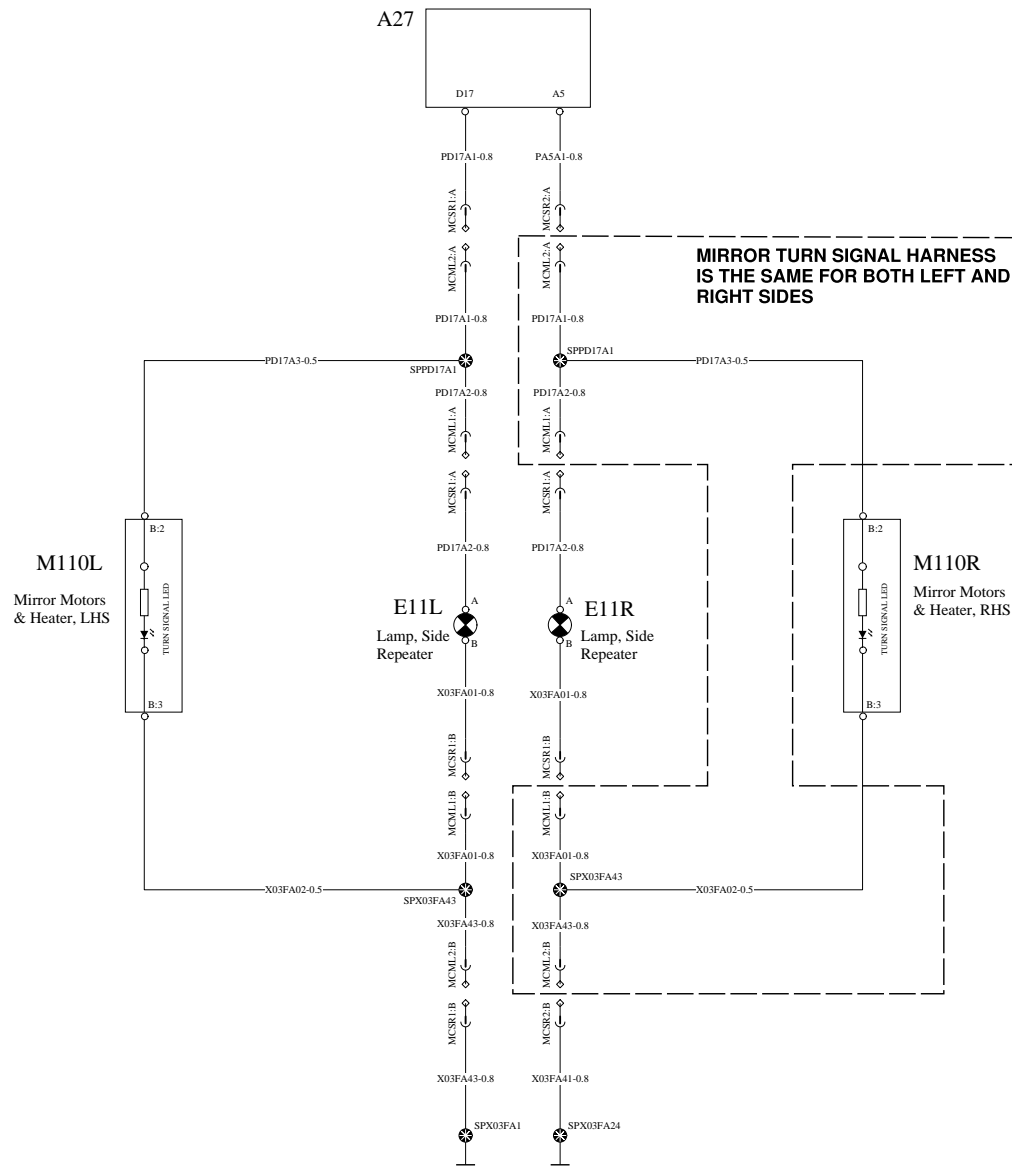
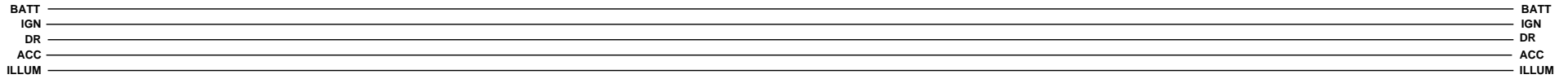
POWER WINDOWS/MIRRORS W.DCP

WIRING DIAGRAM: IC



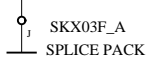
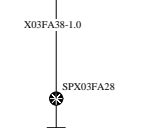
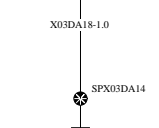
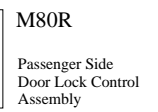
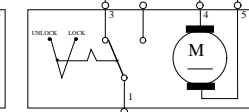
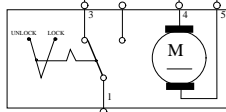
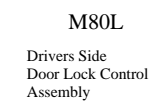
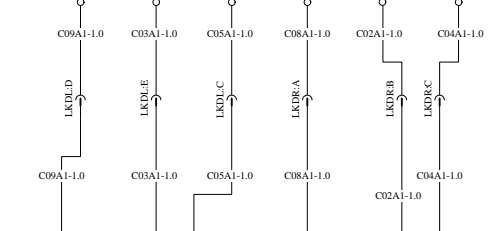
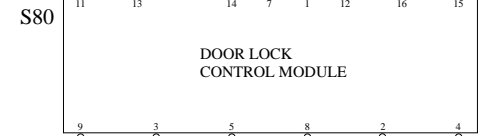
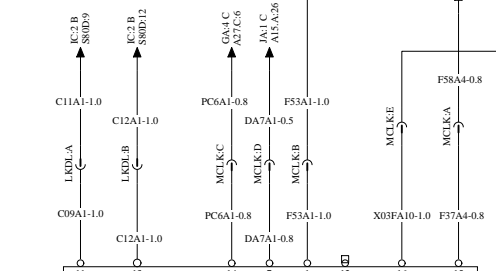
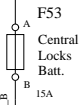
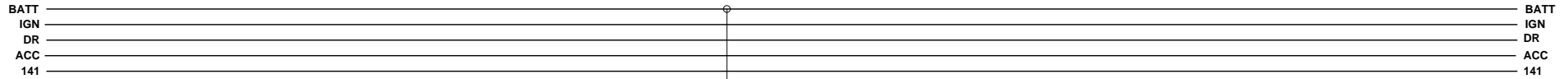
POWER WINDOWS / MIRRORS WITH TURN SIGNALS

WIRING DIAGRAM: IE



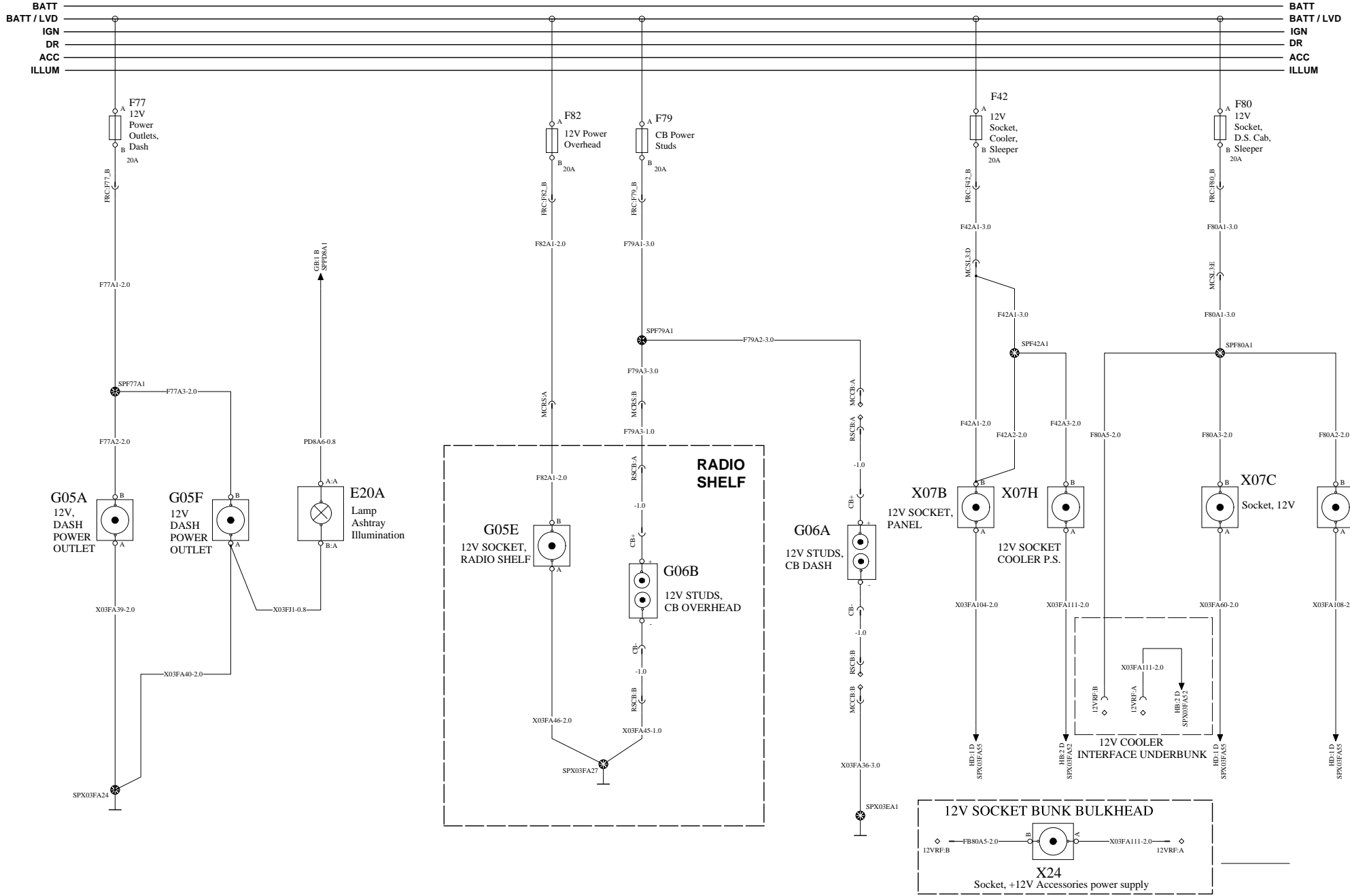
CENTRAL / REMOTE DOOR LOCKING

WIRING DIAGRAM: IF



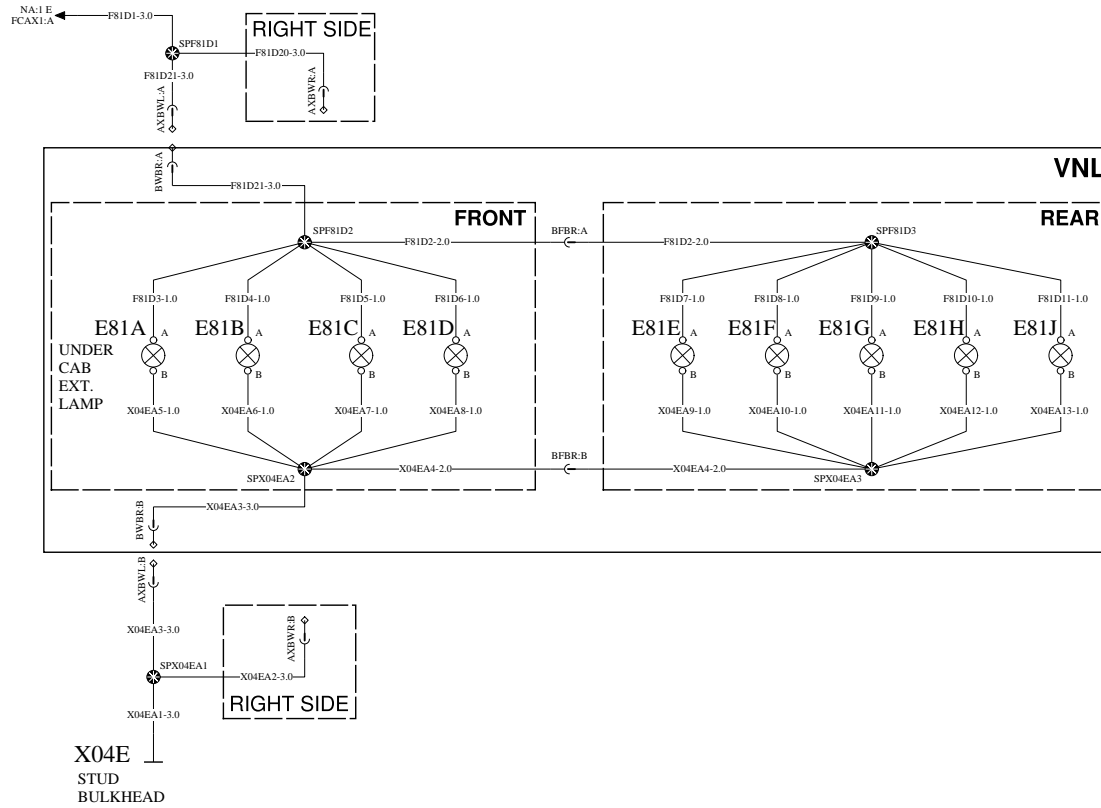
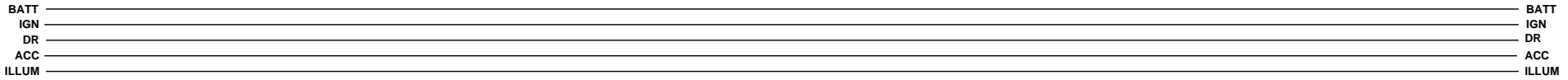
CIGAR LIGHTER / AUX POWER (DASH RADIO SHELF)

WIRING DIAGRAM: IG



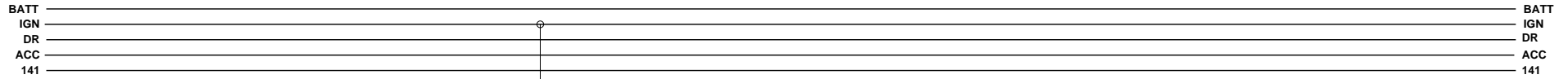
BRIGHTWORK

WIRING DIAGRAM: IH



SRS AIRBAG CONTROL

WIRING DIAGRAM: JA

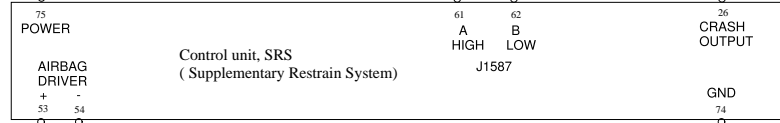


FRCCFR_B

F28A1-0.5



A15

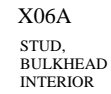


DA11A1-0.5

DA10A1-0.5



X06AA1-0.5

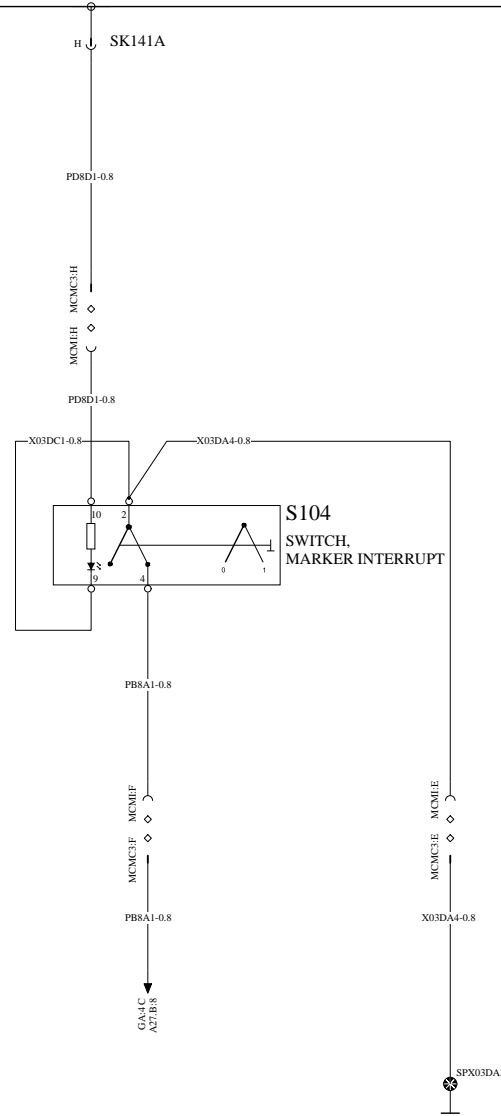


STEERING WHEEL MODULE / MARKER INTERRUPT

WIRING DIAGRAM: JD

BATT
IGN
DR
ACC
141

BATT
IGN
DR
ACC
141



ADAPTIVE CRUISE CONTROL / FUSION

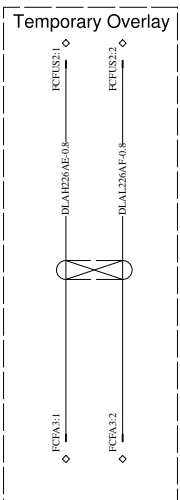
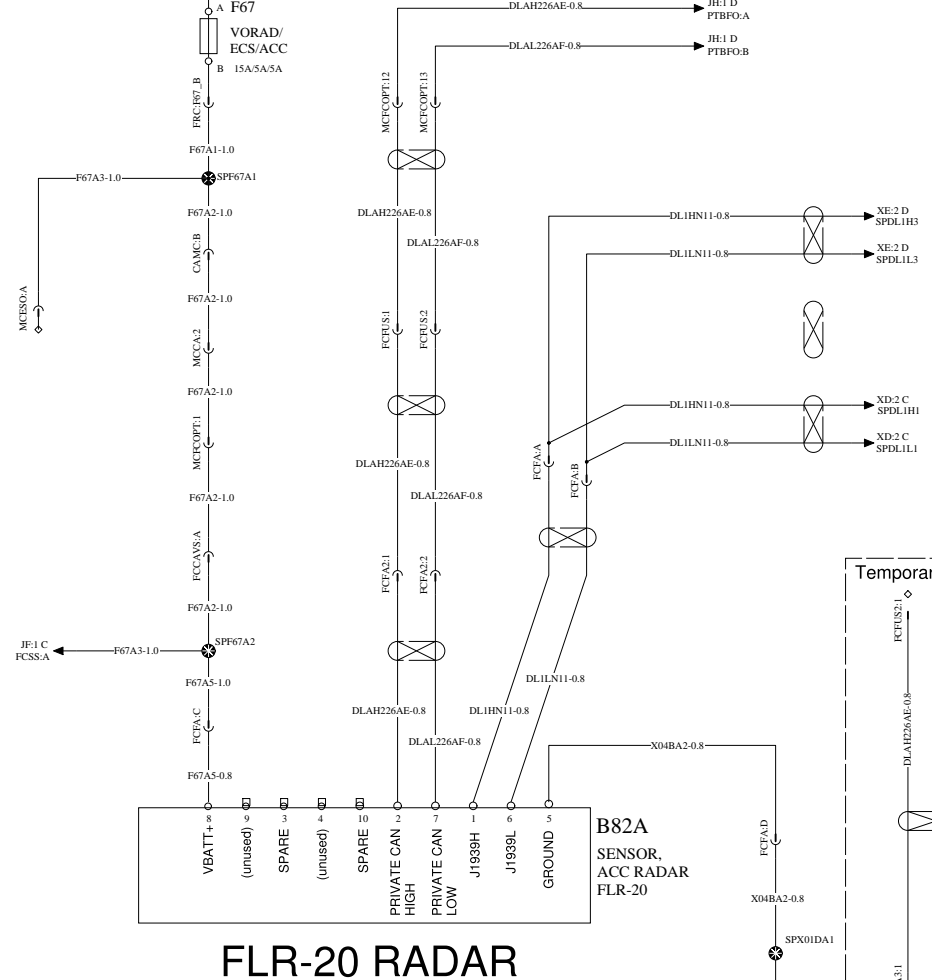
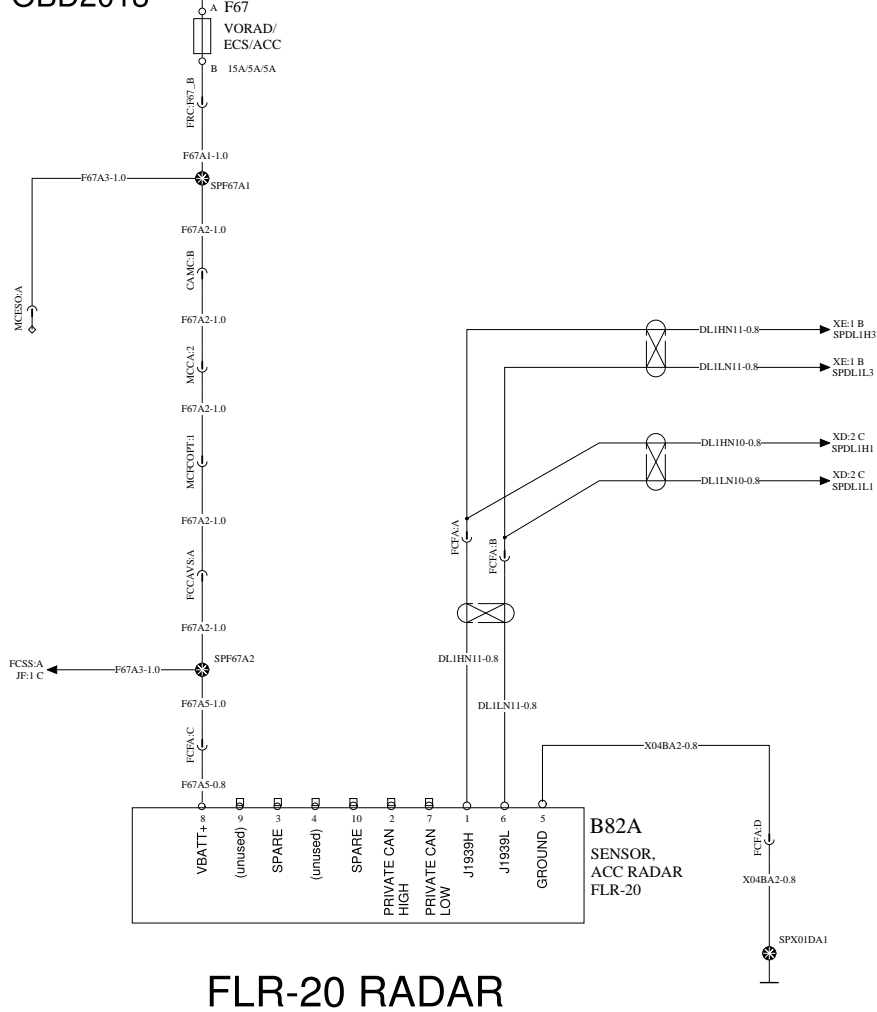
WIRING DIAGRAM: JE

BATT
IGN
DR
ACC
ILLUM

BATT
IGN
DR
ACC
ILLUM

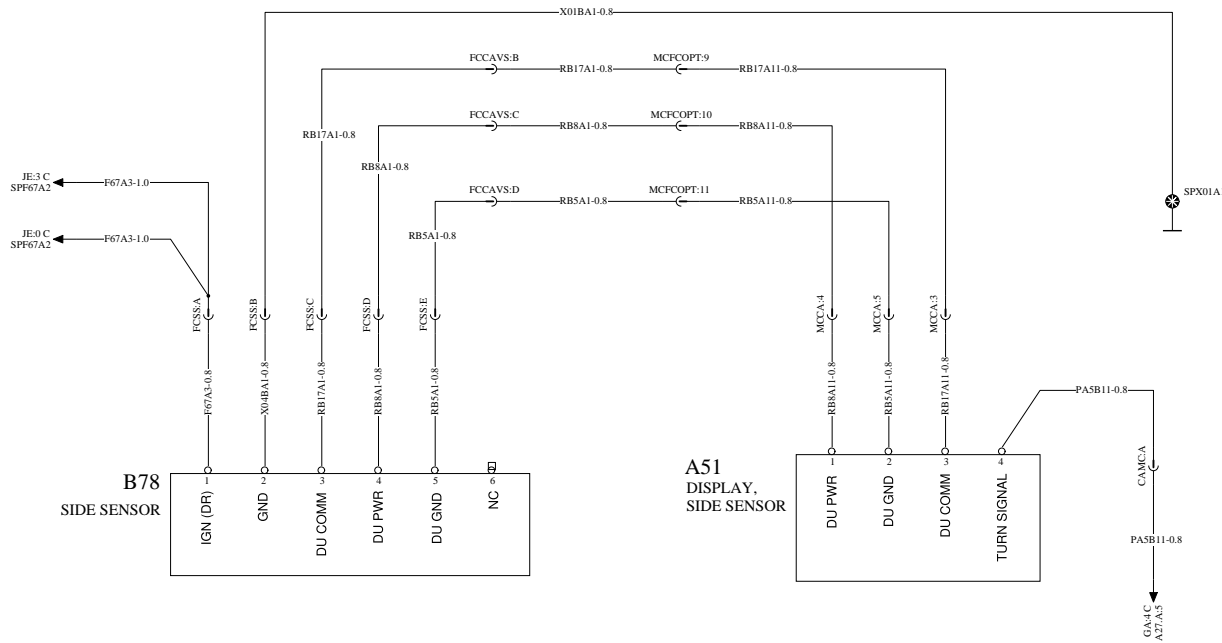
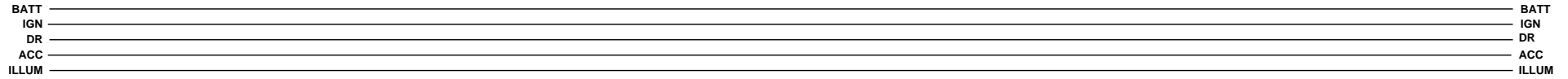
OBD2013

OBD2016/2017



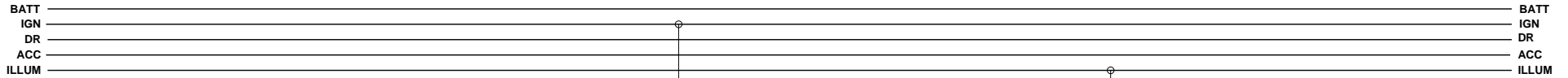
SIDE OBJECT DETECTION SYSTEM

WIRING DIAGRAM: JF

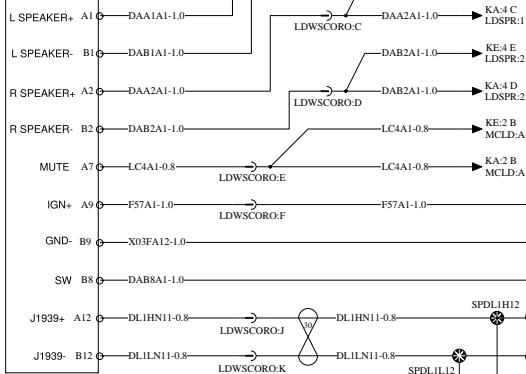


LANE DEPARTURE WARNING SYSTEM

WIRING DIAGRAM: JG



A60
CONTROL UNIT
LANE DEPARTURE
WARNING SYSTEM

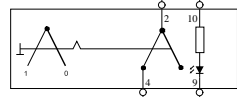


F57A1-1.0

MCLD:B



RESISTOR
J1939
TERMINATION
R08E



S202
Switch, LDWS, Lane
Departure Warning System

SKL41A:K
SPLICE PACK,
ILLUMINATION

FDR82-0.8

LDWSCORO:G

FDR82-0.8

SPX03FA23

X03FA117-1.0

X03FA23-1.0

LDWSCORO:H

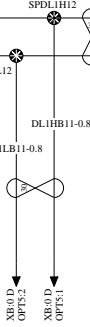
X03FA23-1.0

MCLD:C

X03FA23-1.0

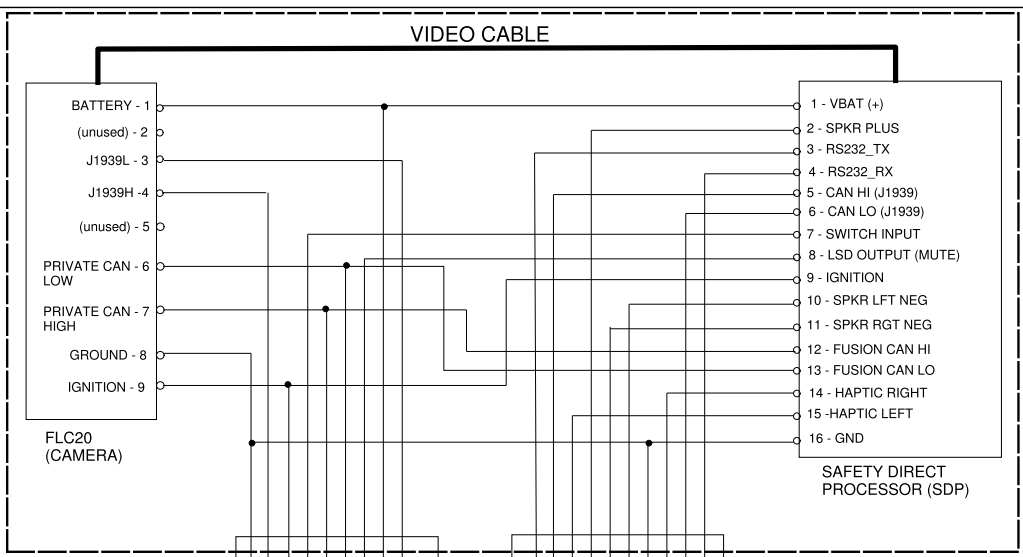
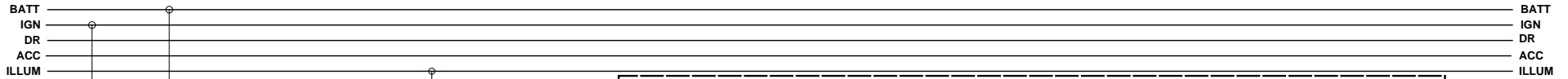
G SKX03F_A

SPLICE PACK

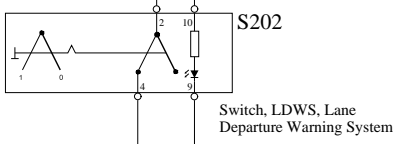


BENDIX FUSION

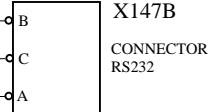
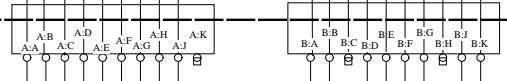
WIRING DIAGRAM: JH



A232
SYSTEM
BENDIX
FUSION



Switch, LDWS, Lane
Departure Warning System



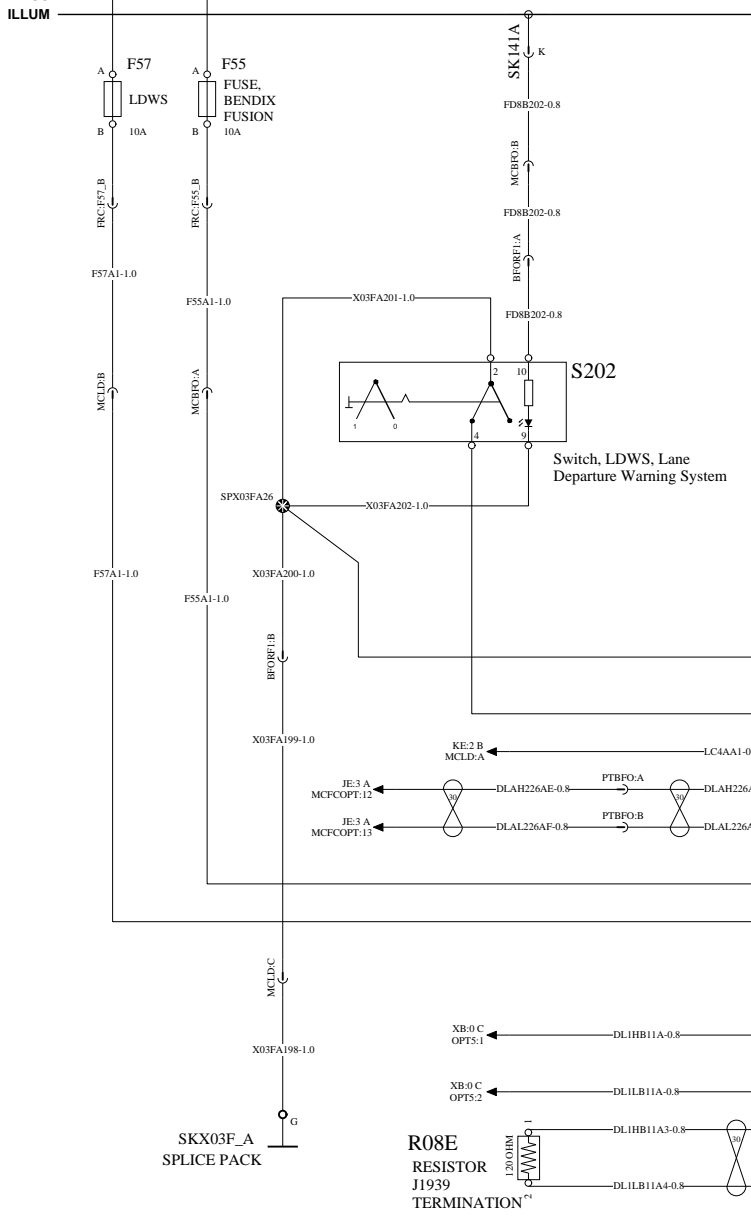
X147B
CONNECTOR
RS232



B64A
SPEAKER
BENDIX FUSION
LEFT DASH

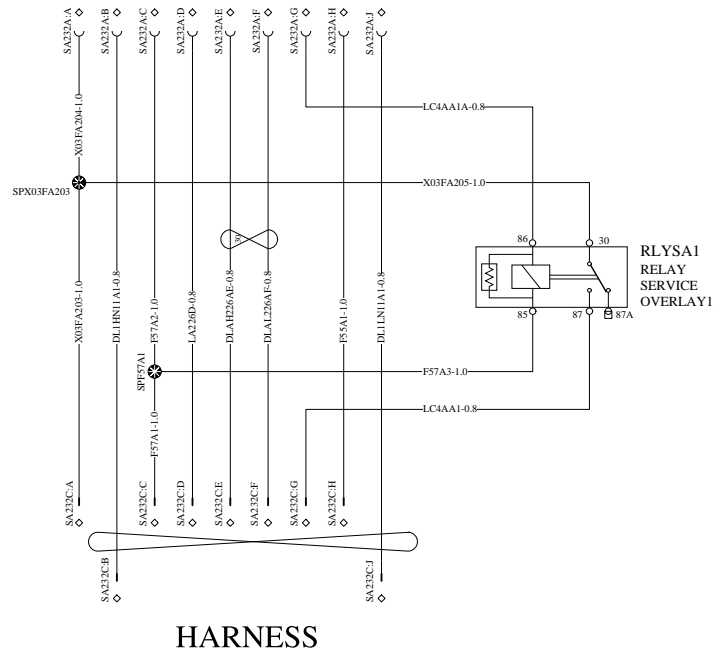


B64B
SPEAKER
BENDIX FUSION
RIGHT DASH



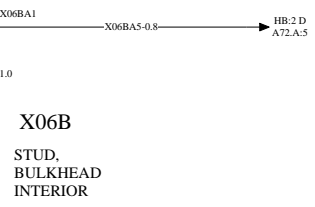
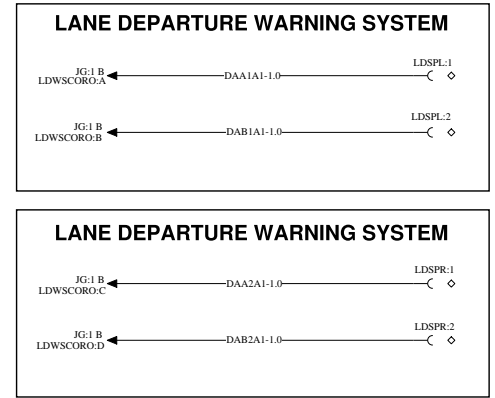
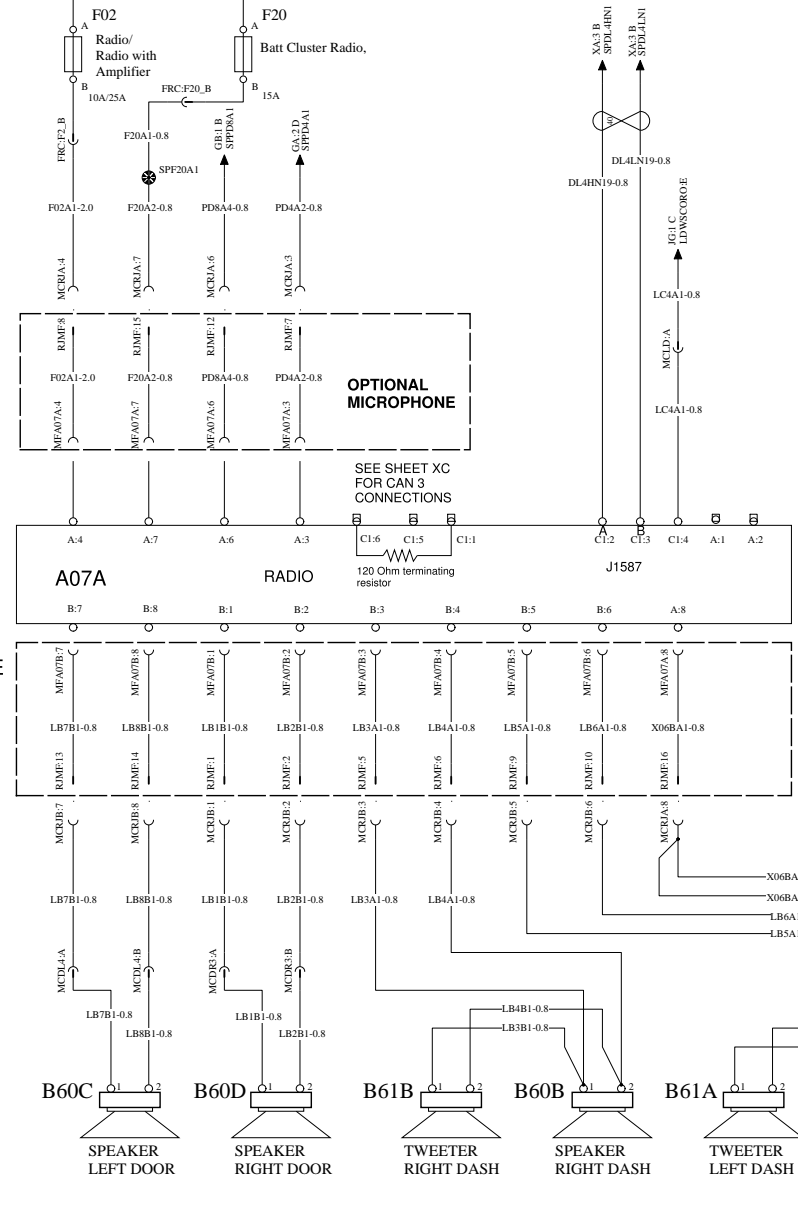
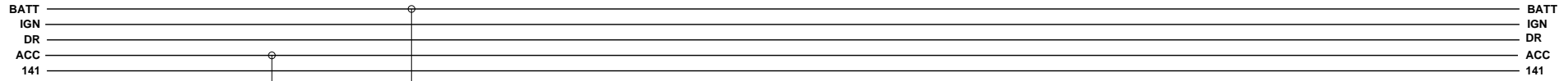
ROSE
RESISTOR
J1939
TERMINATION

BENDIX FUSION BOX



AUDIO SYSTEM:GLAD RADIO 4 SPEAKERS

WIRING DIAGRAM: KA

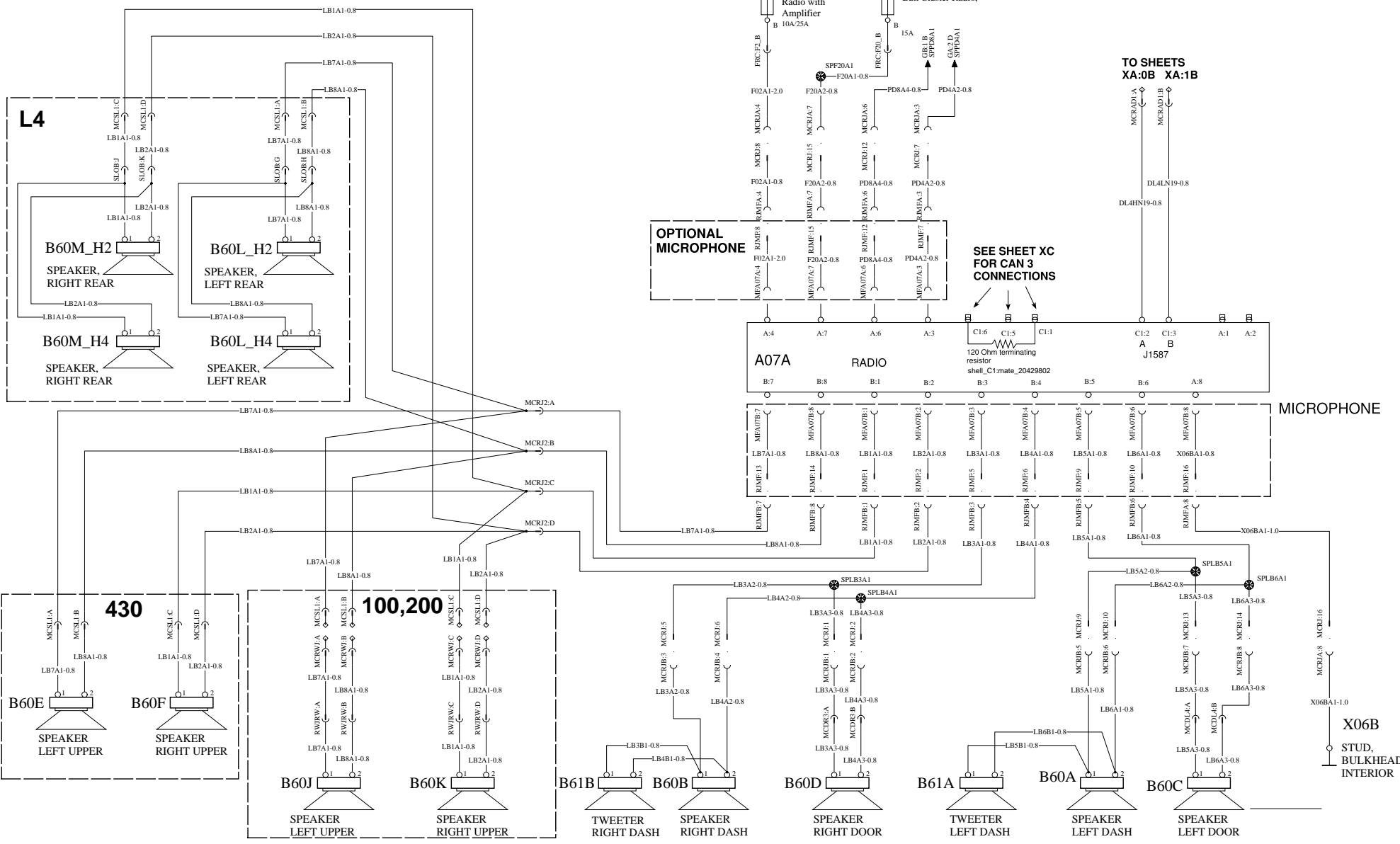


AUDIO SYSTEM: GLAD RADIO - 6 SPEAKERS

WIRING DIAGRAM: KB

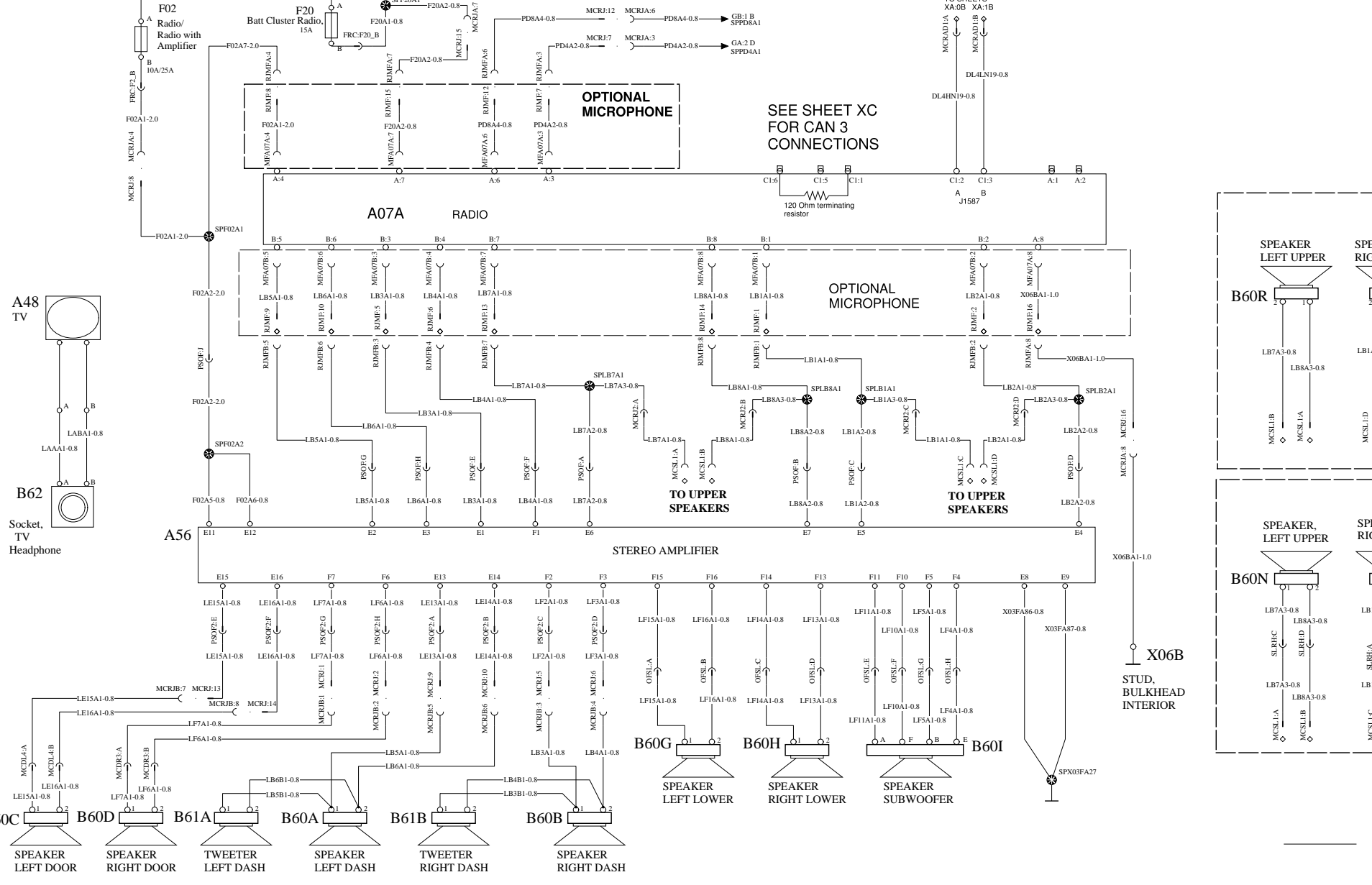
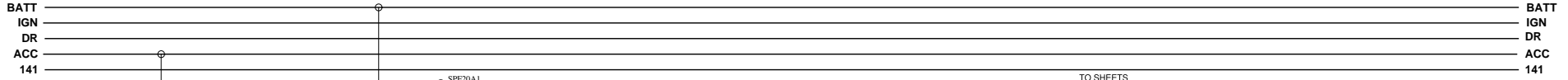
BATT
IGN
DR
ACC
141

BATT
IGN
DR
ACC
141



AUDIO SYSTEM - GLAD RADIO 6 SPEAKERS W/SUB, TV PREP

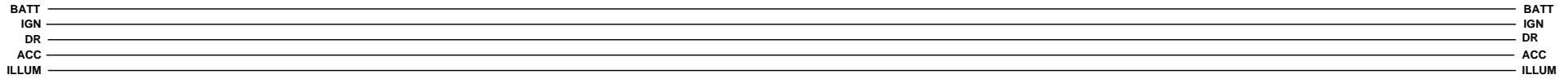
WIRING DIAGRAM: KC



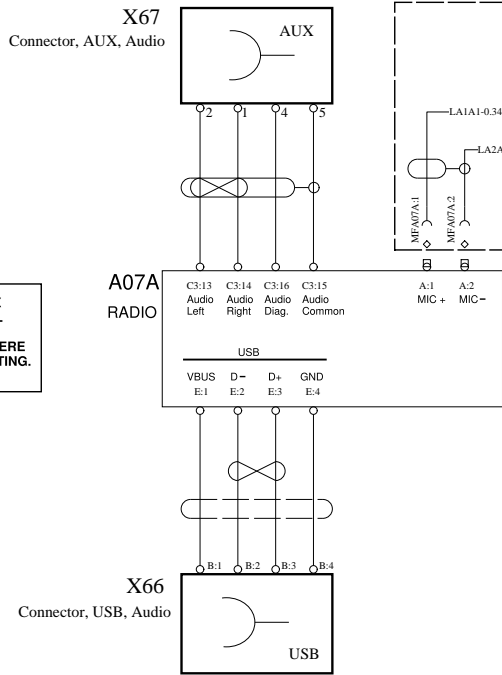
Document title	Document No	Issue	Volume	Page
12V SCHEMATIC VOLVO	21849527	09	1 (2)	94 (110)
Document type				
PRODUCT SCHEMATIC				

AUDIO SYSTEM - BLUETOOTH/AUX//USB

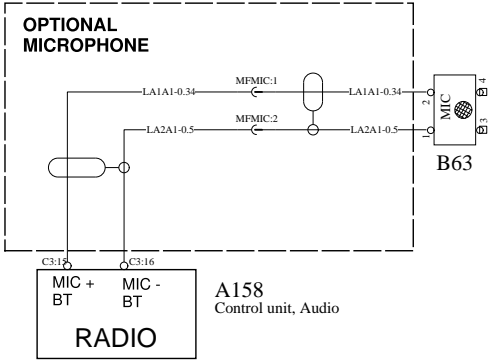
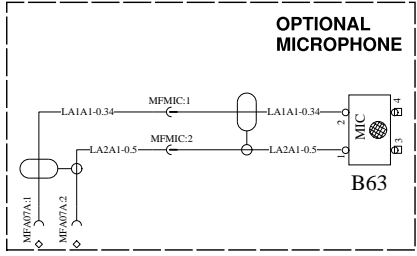
WIRING DIAGRAM: KD



NOTE: THE CABLES FOR AUX AND USB CONNECTIONS WILL BE SUPPLIED BY OTHERS. CONNECTORS ARE SHOWN HERE AS AN AID IN TROUBLESHOOTING.



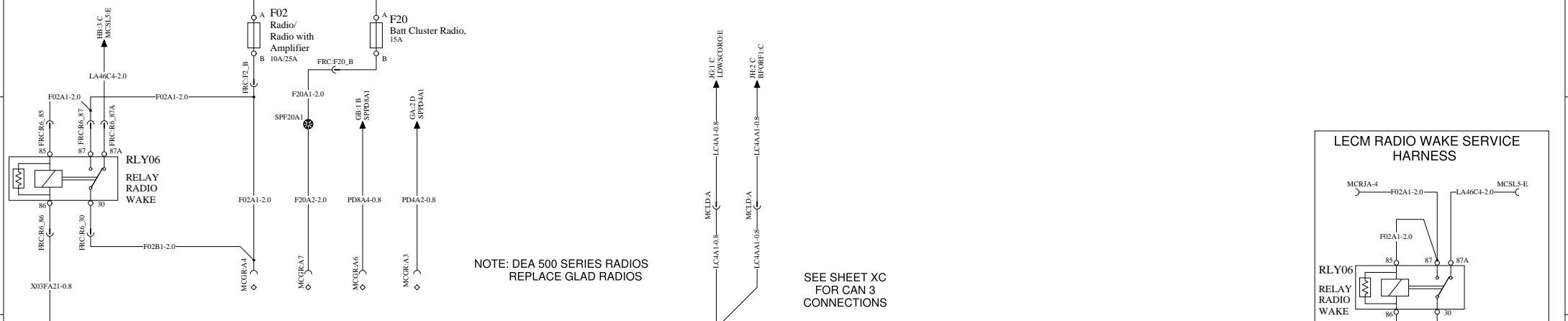
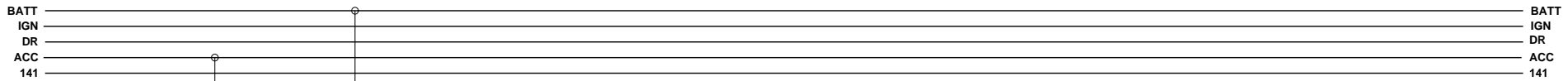
GLAD RADIO



DEA 500 SERIES RADIO
(REPLACES GLAD RADIO)

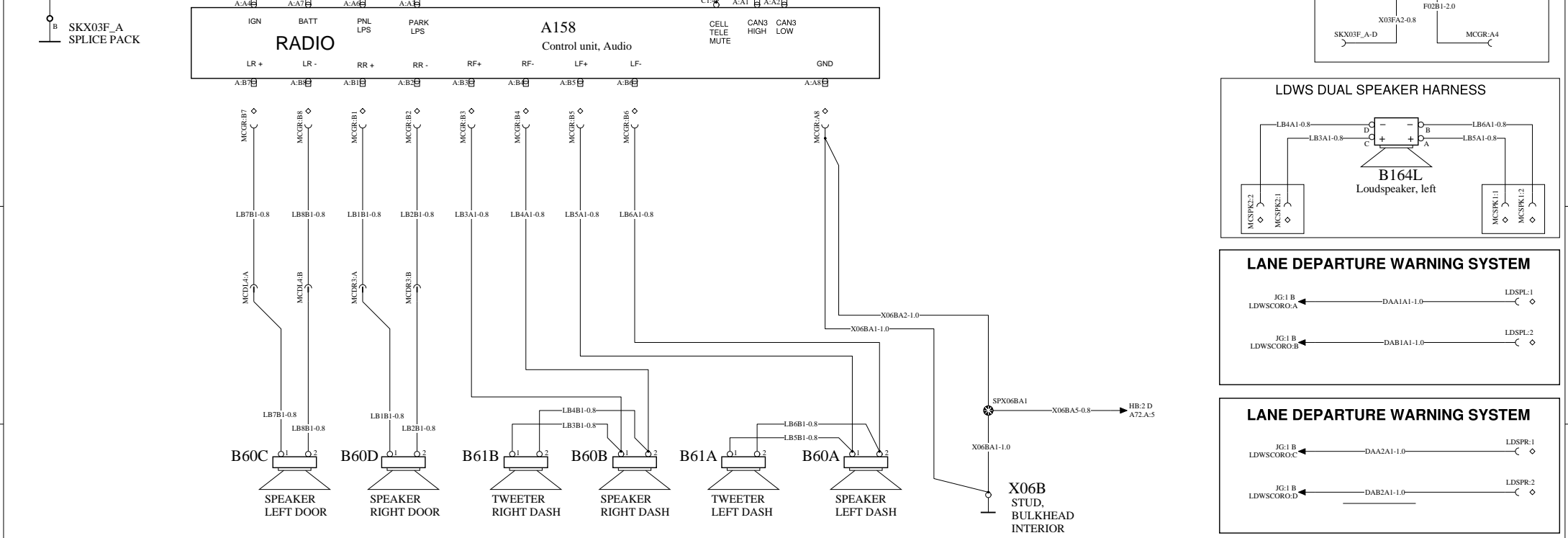
AUDIO SYSTEM: DEA 500 SERIES RADIO- 4 SPEAKER

WIRING DIAGRAM: KE



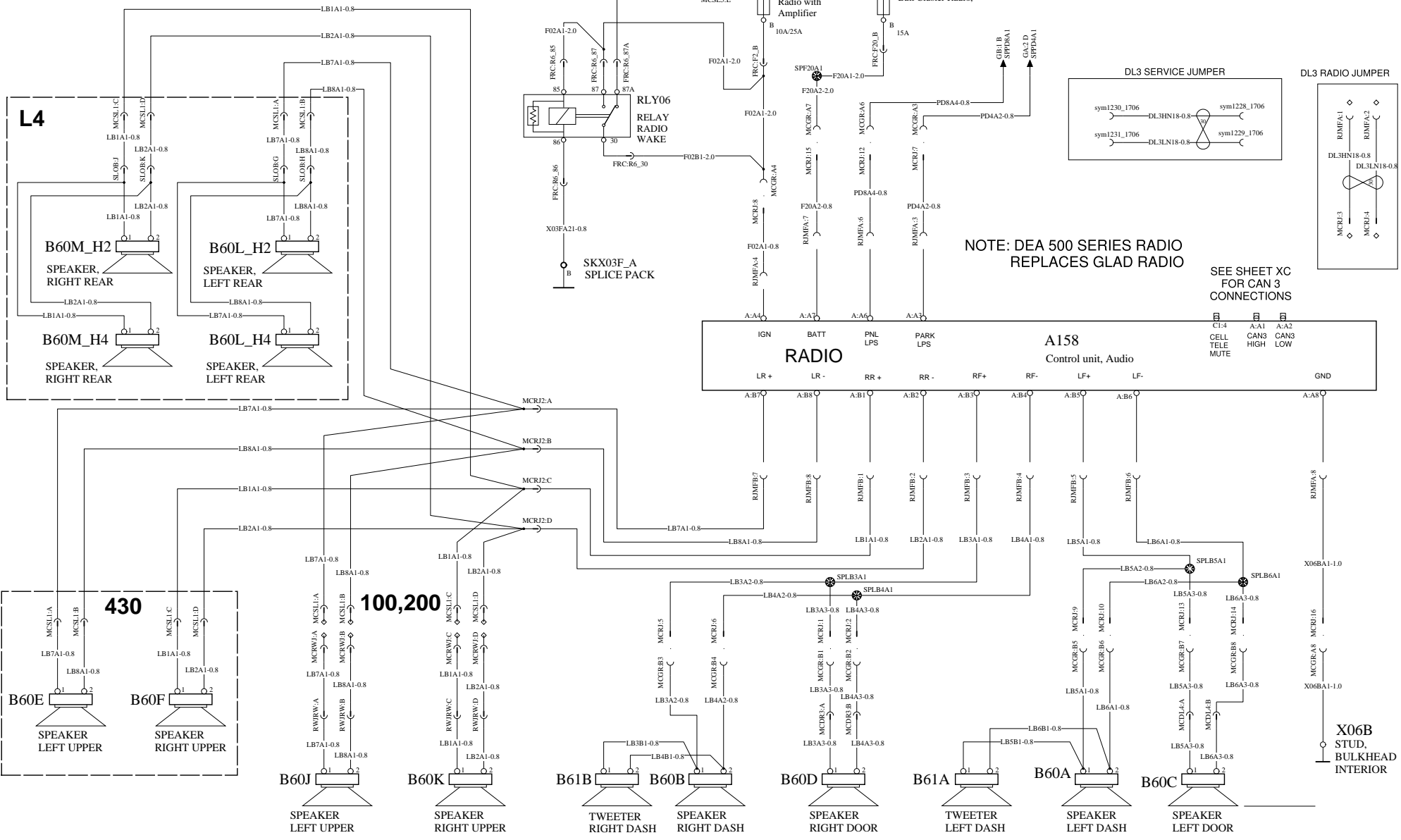
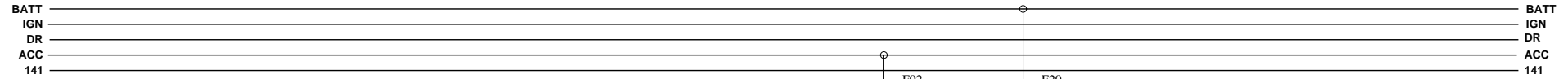
NOTE: DEA 500 SERIES RADIOS REPLACE GLAD RADIOS

SEE SHEET XC FOR CAN 3 CONNECTIONS



AUDIO SYSTEM- DEA 500 SERIES RADIO- 6 SPEAKER

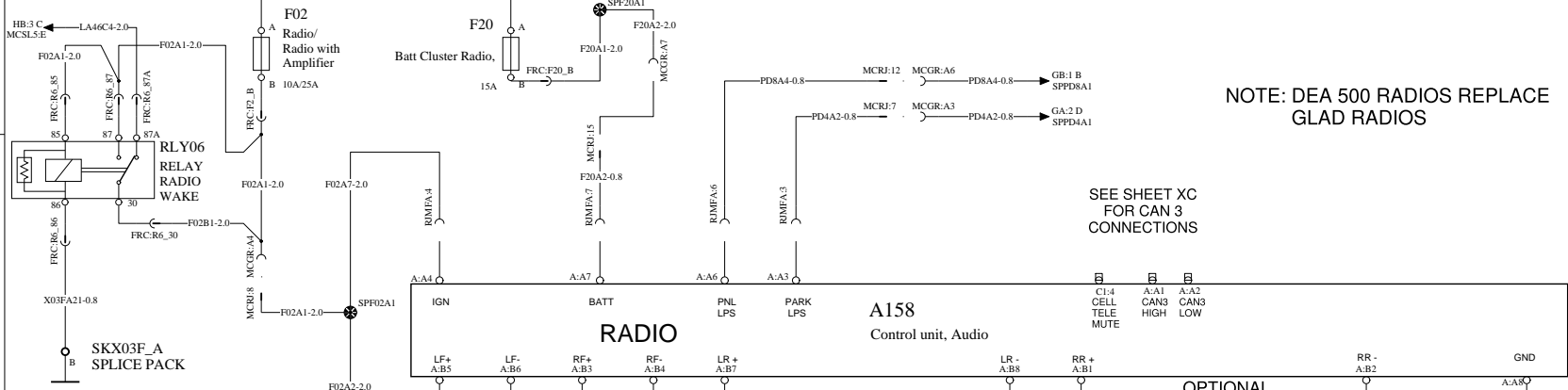
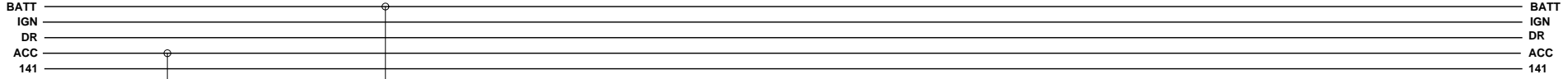
WIRING DIAGRAM: KF



Document title 12V SCHEMATIC VOLVO	Document No 21849527	Issue 09	Volume 1 (2)	Page 97 (110)
Document type PRODUCT SCHEMATIC				

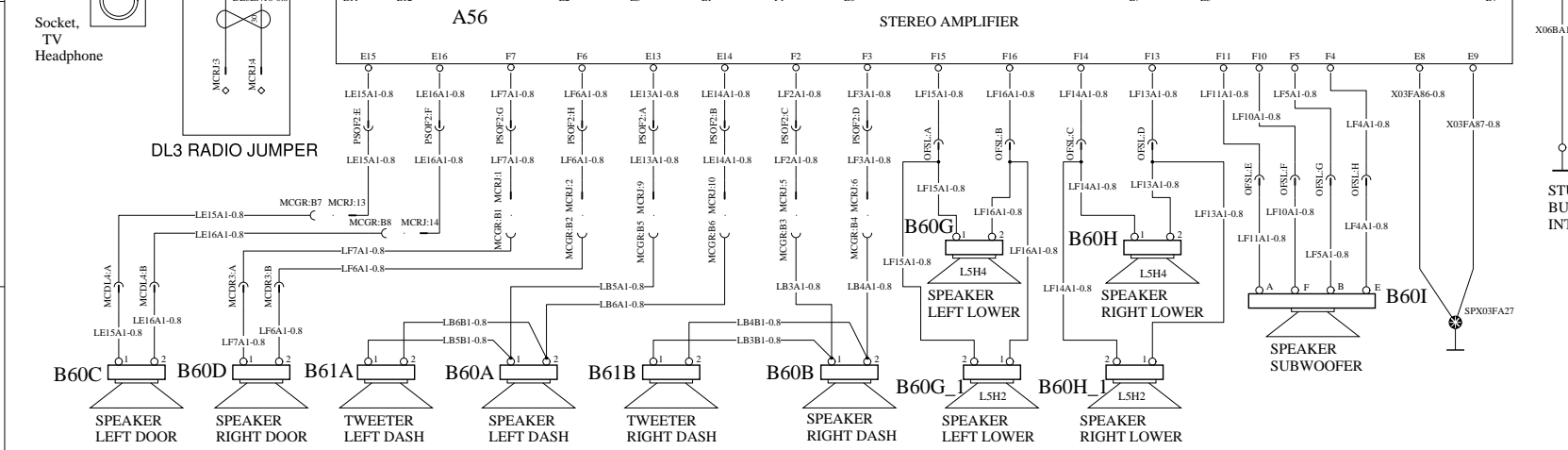
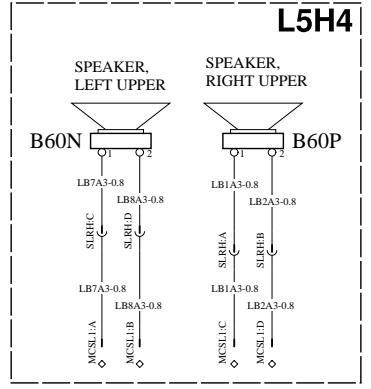
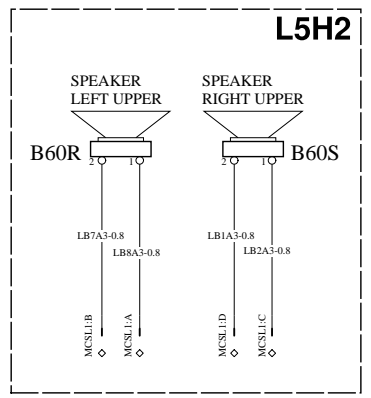
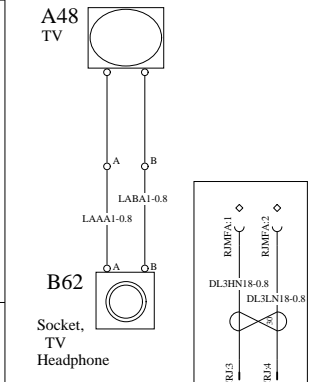
AUDIO SYSTEM- DEA 500 SERIES RADIO- 6 SPEAKER W/ SUB, TV PREP

WIRING DIAGRAM: KG



NOTE: DEA 500 RADIOS REPLACE GLAD RADIOS

SEE SHEET XC FOR CAN 3 CONNECTIONS

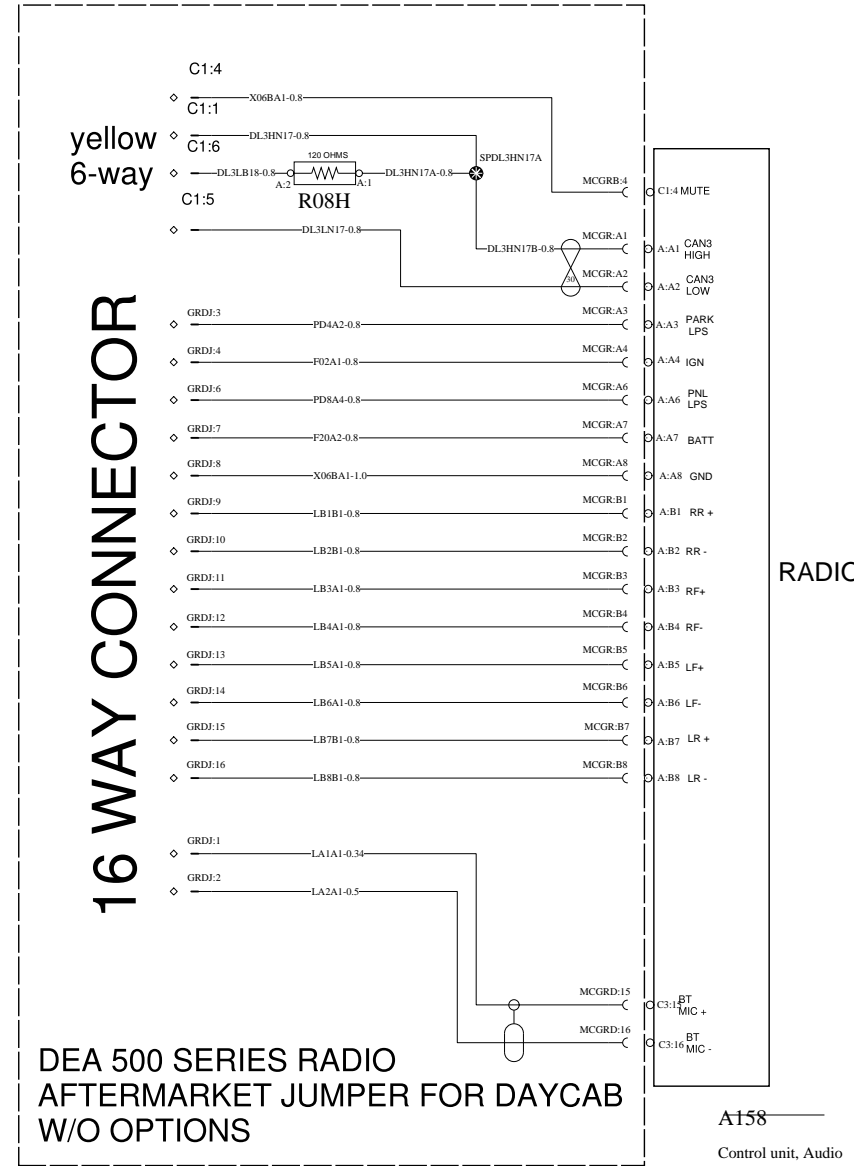
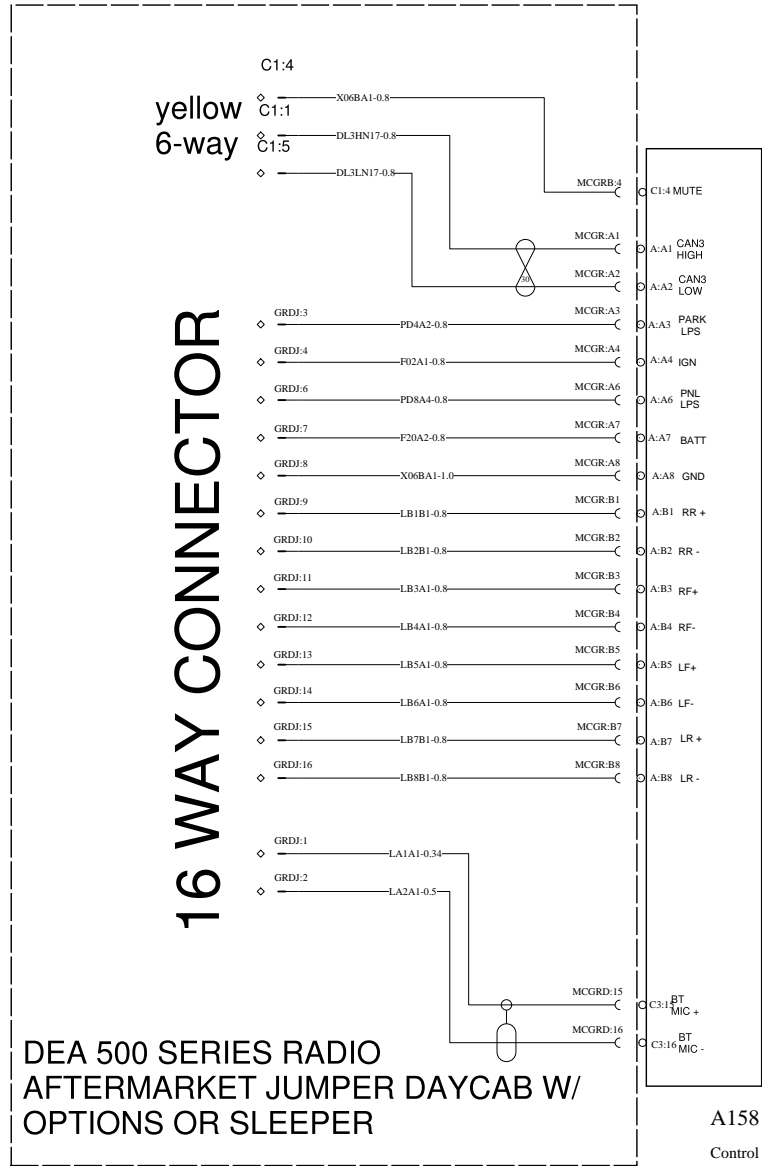
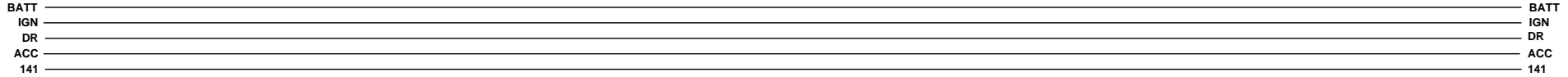


X06B
STUD, BULKHEAD INTERIOR

Document title 12V SCHEMATIC VOLVO	Document No 21849527	Issue 09	Volume 1 (2)	Page 98 (110)
Document type PRODUCT SCHEMATIC				

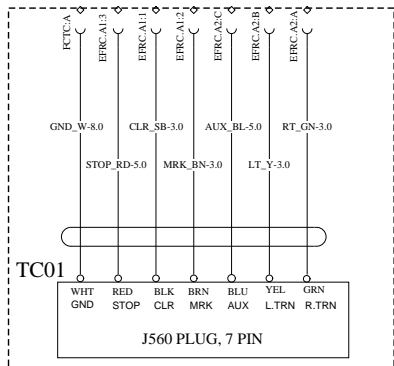
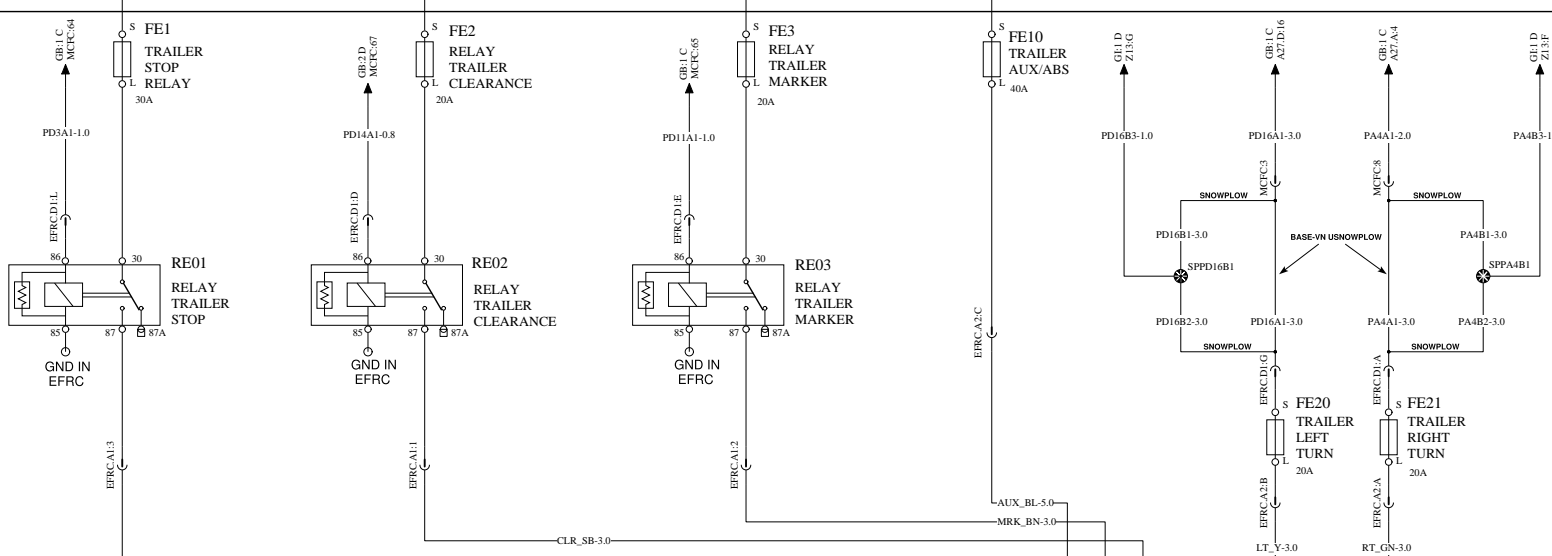
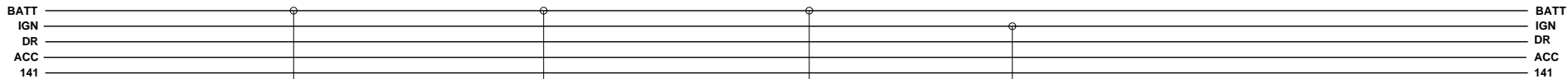
AUDIO SYSTEM: DEA 500 SERIES RADIO JUMPER

WIRING DIAGRAM: KH

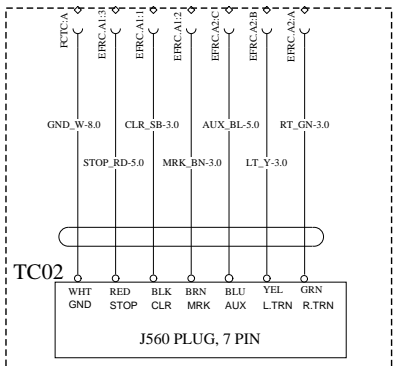


TRAILER CABLE

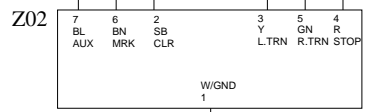
WIRING DIAGRAM: MA



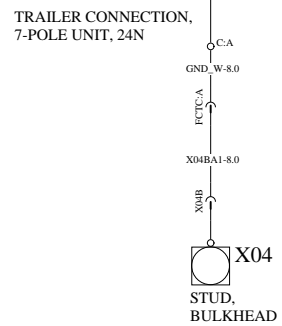
FIXED TRAILER CABLE, STRAIGHT



FIXED TRAILER CABLE, COILED

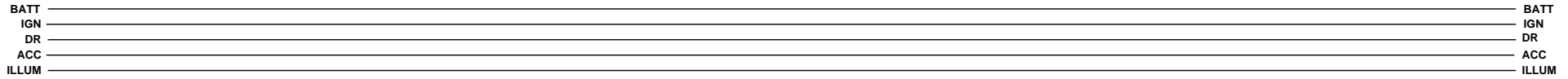


TRAILER CABLE TEMPORARY ADAPTER TO US07 TRAILER CABLES

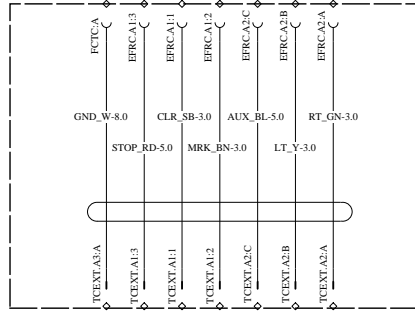


TRAILER CABLE OPTIONS

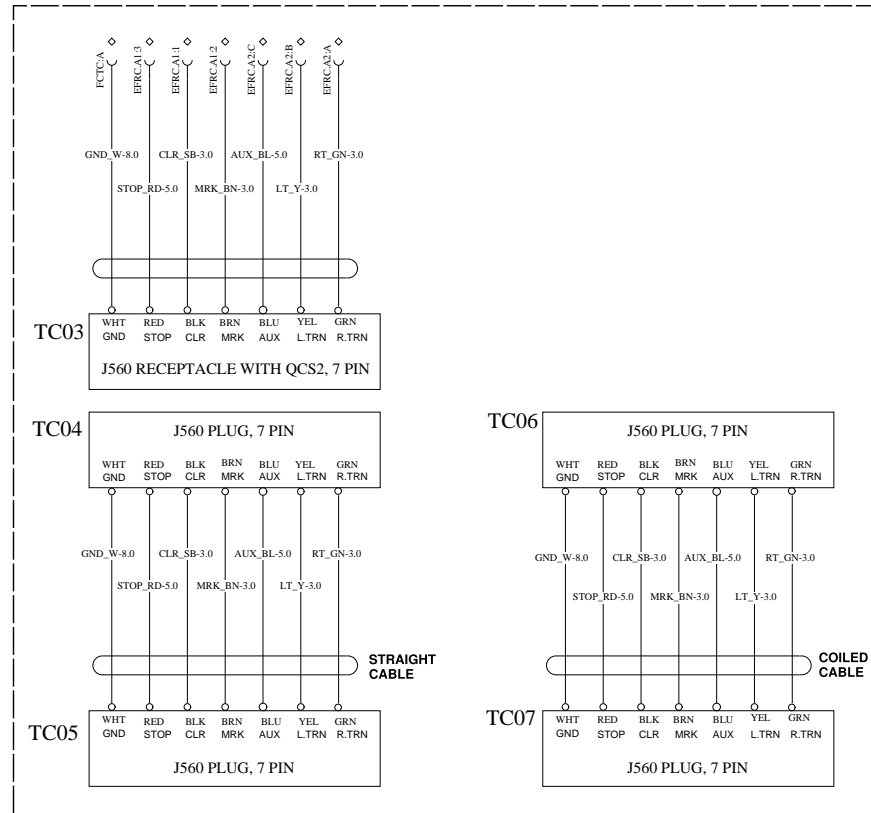
WIRING DIAGRAM: MB



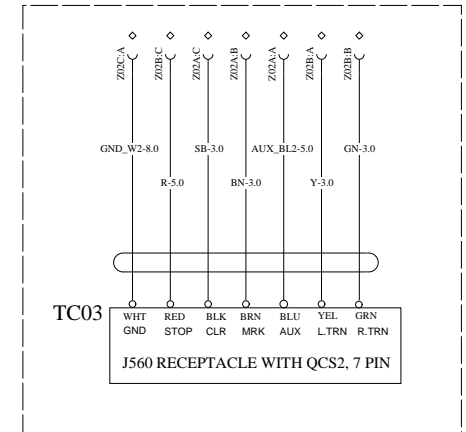
TRAILER CABLE EXTENSION CABLE



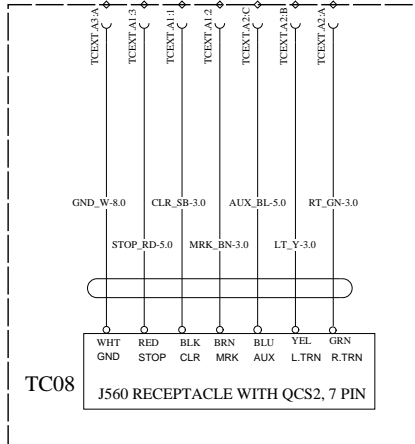
DETACHABLE TRAILER CABLES
STRAIGHT / COILED



DETACHABLE TRAILER CABLE
STRAIGHT ISO 3731

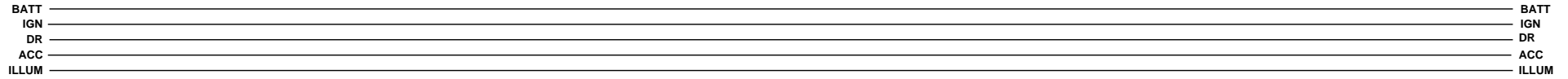


TRAILER CABLE EOF RECEPTACLE

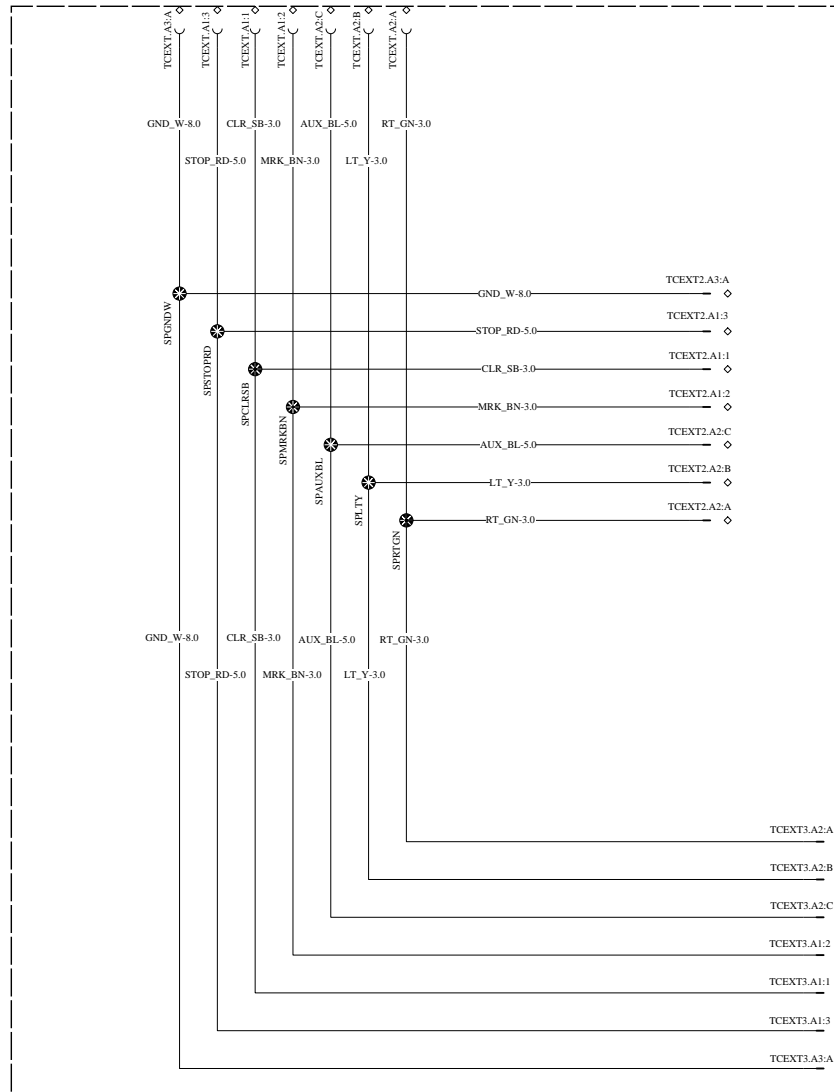


TRAILER CABLES/BODY BUILDER OPTIONS

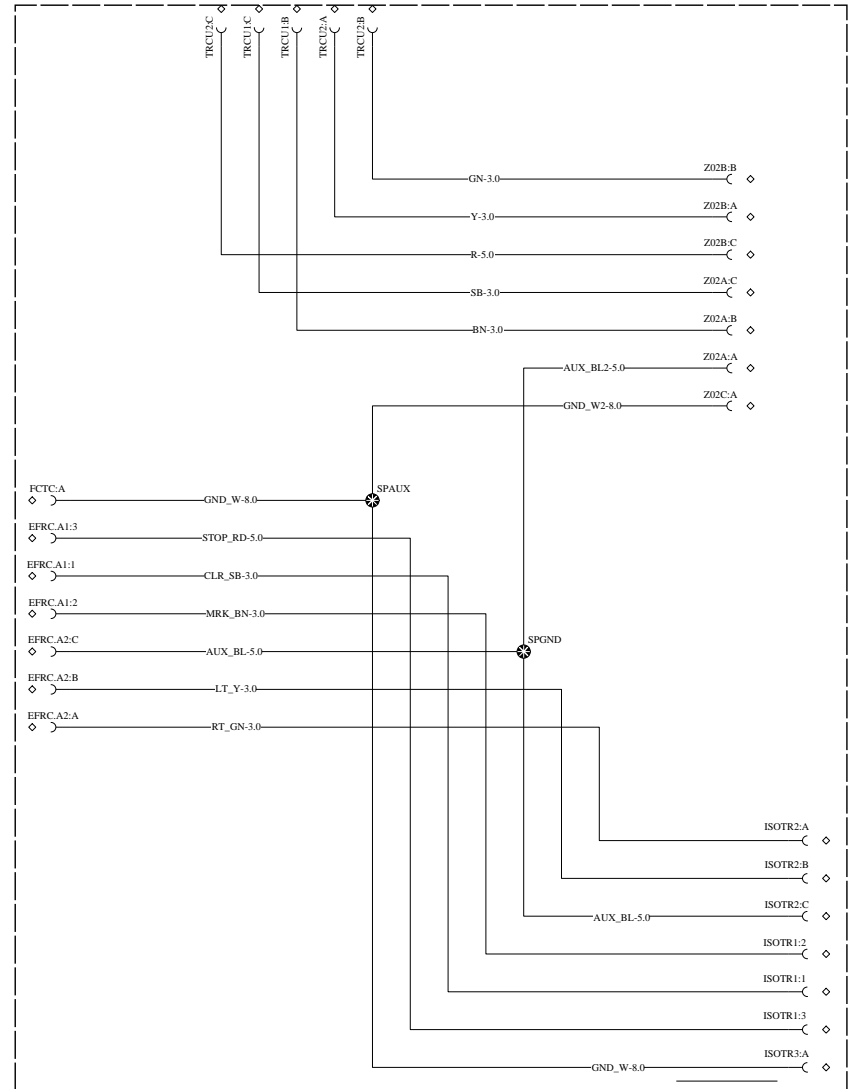
WIRING DIAGRAM: MC



TRAILER CABLE BODY BUILDER
WYE END OPTION

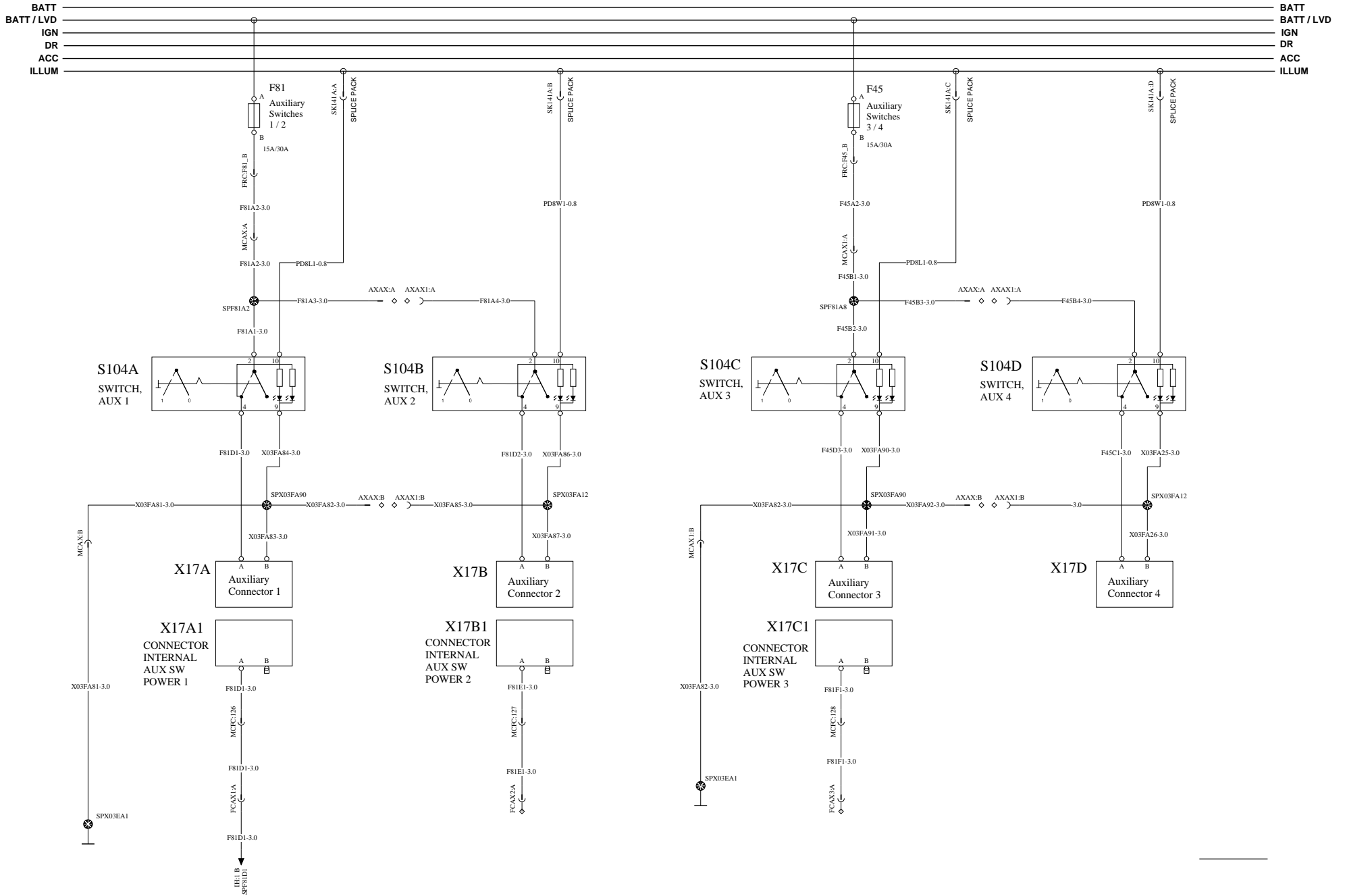


TRAILER CABLE ISO 3731
WYE END OPTION



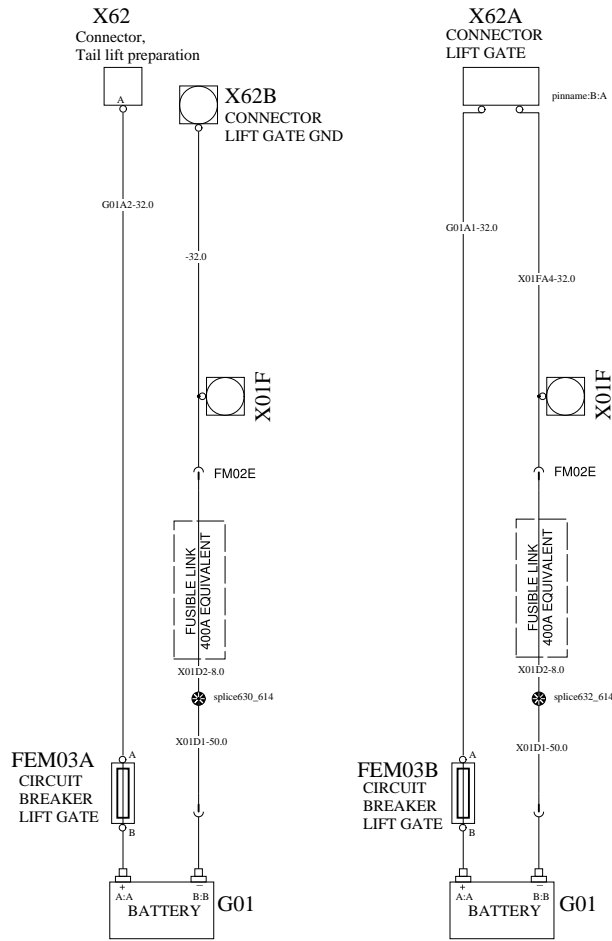
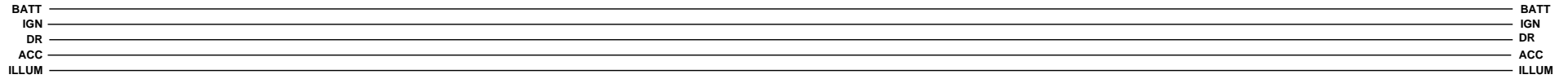
AUXILIARY SWITCHES

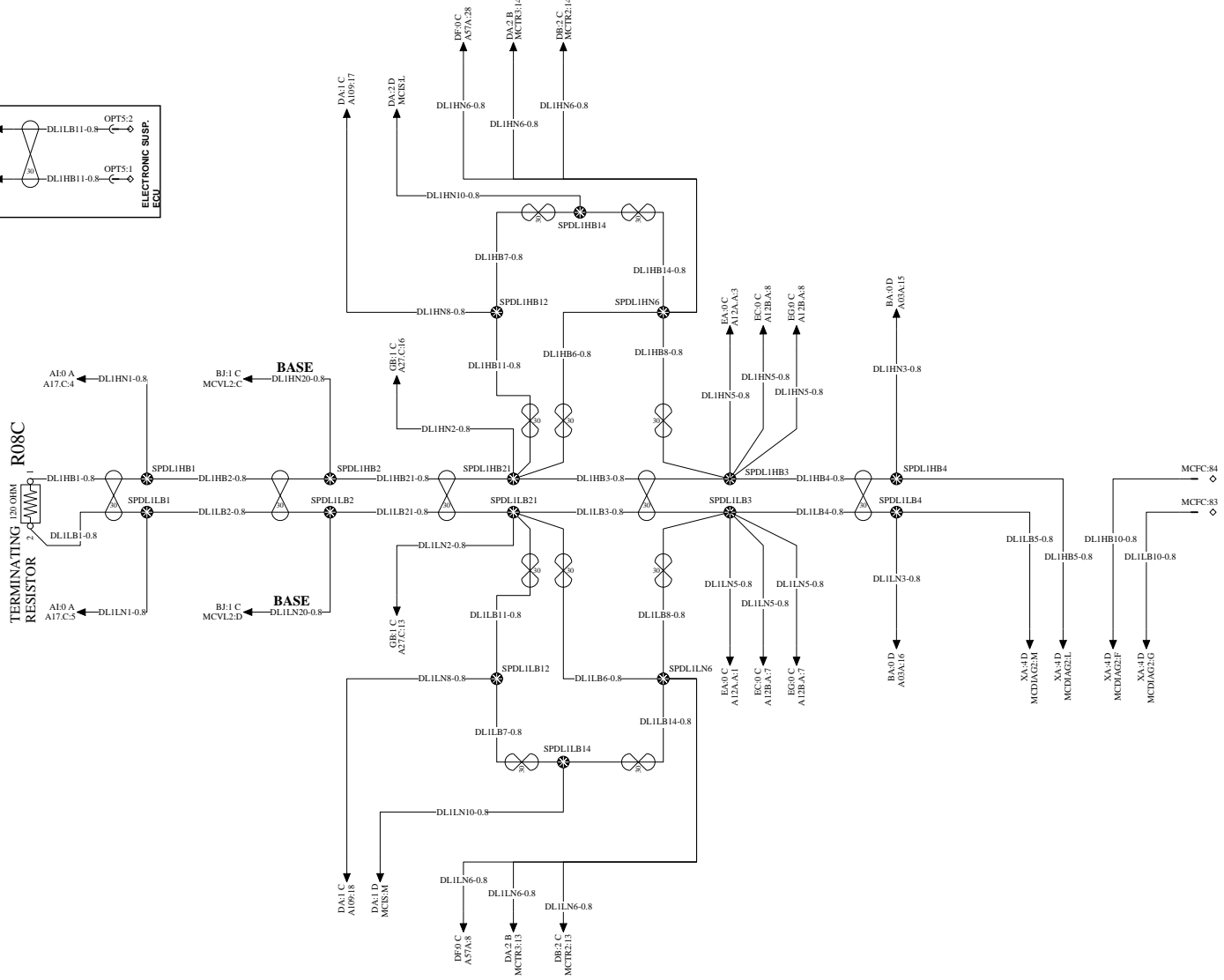
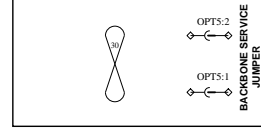
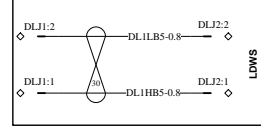
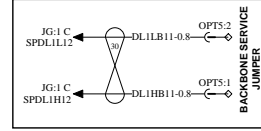
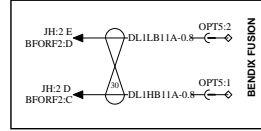
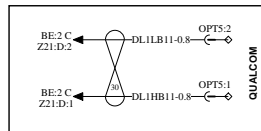
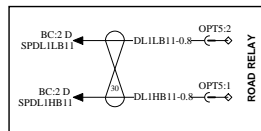
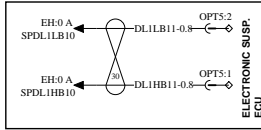
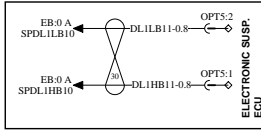
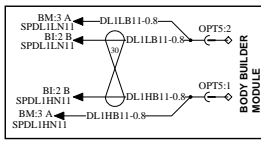
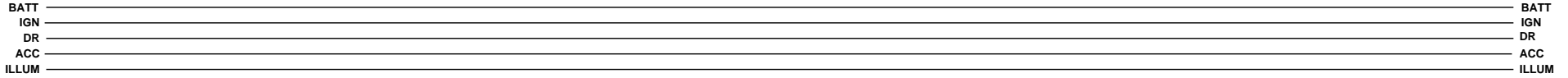
WIRING DIAGRAM: NA



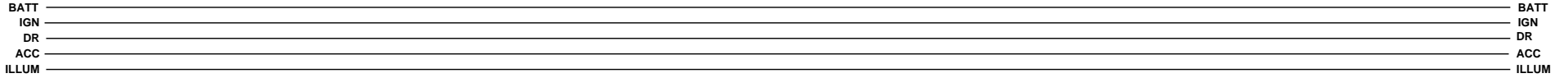
H. D. POWER LIFT GATE

WIRING DIAGRAM: ND

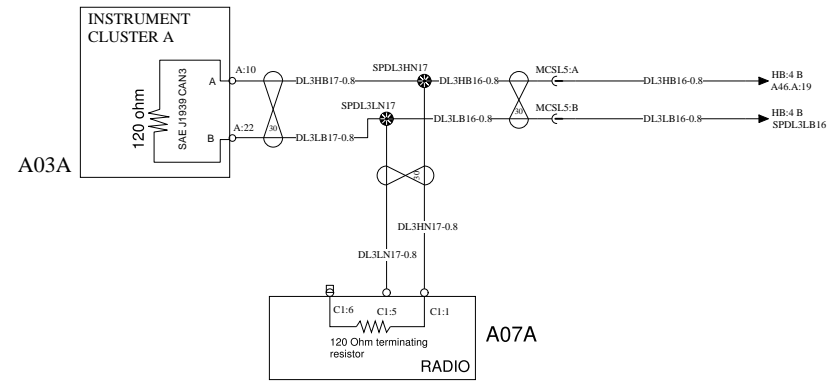




DIAGNOSTICS 3/3 (DL3-J1939)

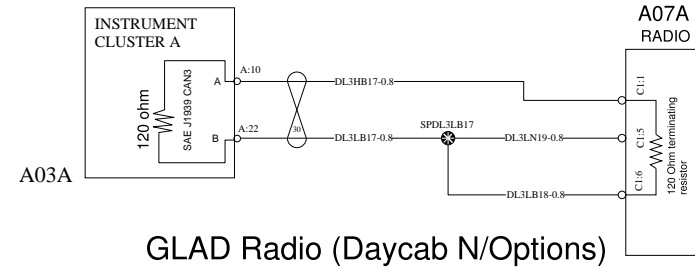
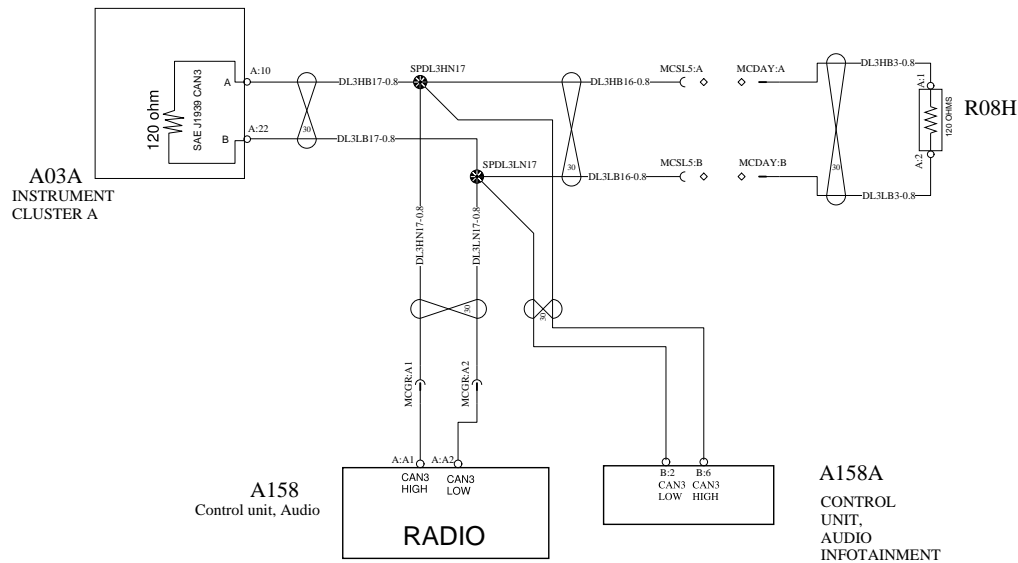


WIRING DIAGRAM: XC



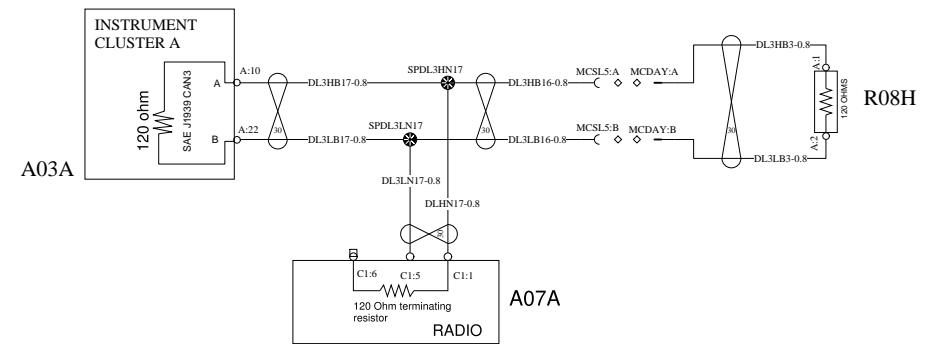
GLAD Radio (Sleeper)

DEA 500 Series & Infotainment Radio (Sleeper)

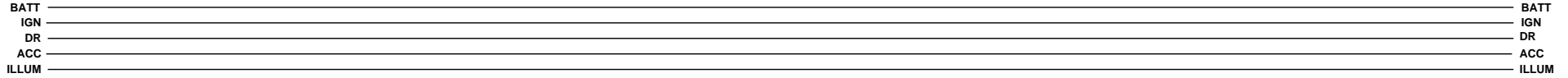


GLAD Radio (Daycab N/Options)

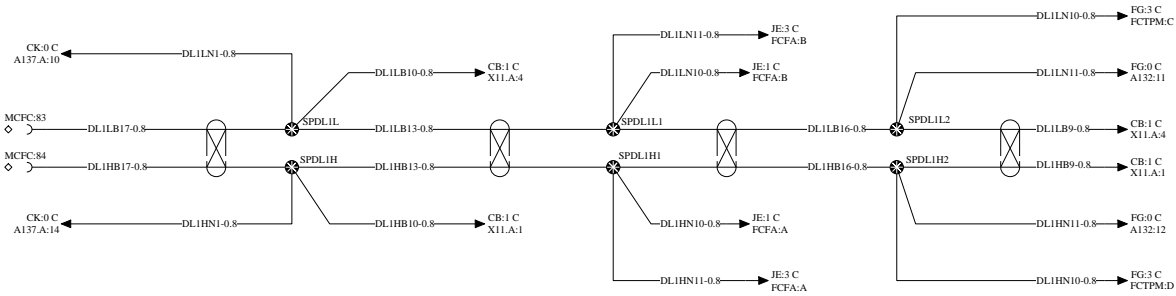
DEA 500 Series & Infotainment Radio (Daycab)

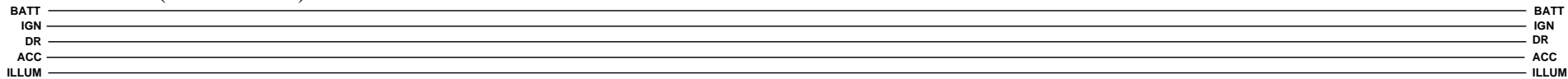


GLAD Radio (Daycab W/Options)

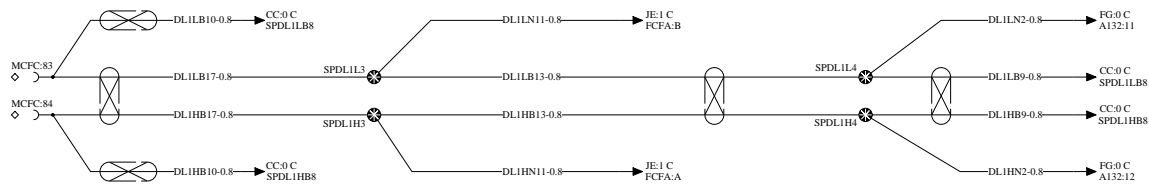


**VOLVO
ENGINE**

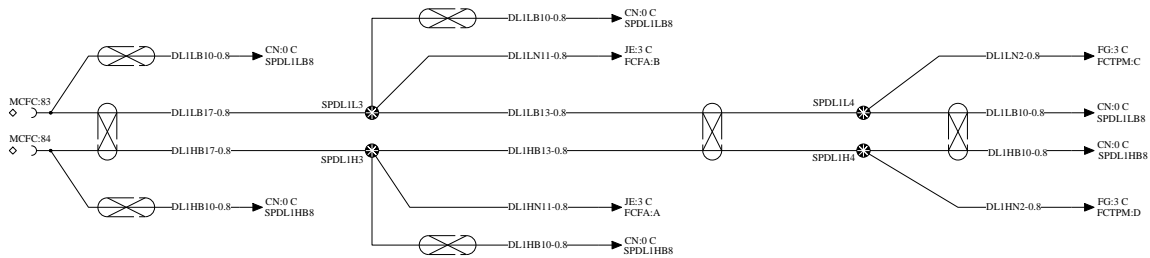




**ISX ENGINE
2013 / 2016**



**ISX ENGINE
2017**



0

1

2

3

4

BILL OF MATERIALS INDEX (VOL 2)

NAME	PAGE
GROUNDS	2
FUSES AND CIRCUIT BREAKERS	3

NAME	PAGE
RELAYS	6
COMPONENTS	7

NAME	PAGE
INLINES	17
SPLICES	26

NAME	PAGE
SHELLS	29
REFERENCES	33

A

A

B

B

C

C

D

D

E

E

VOLVO Group Trucks Technology

Document title
12V SCHEMATIC VOLVO

Document No

Issue

Volume

Page

Document type
PRODUCT SCHEMATIC

21849527

09

2 (2)

1 (43)

0

1

2

3

4

0

1

2

3

4

GROUNDS

NAME	PAGE
SKX03D	AE 3 C
SKX03D	BD 1 D
SKX03D	CM 0 D
SKX03D	GB 1 D
SKX03D	IB 1 D
SKX03F_A	AA 3 C
SKX03F_A	AB 0 E

NAME	PAGE
SKX03F_A	AE 3 B
SKX03F_A	DF 4 C
SKX03F_A	DP 2 D
SKX03F_A	EB 4 D
SKX03F_A	EH 4 D
SKX03F_A	GI 1 E
SKX03F_A	IA 4 C

NAME	PAGE
SKX03F_A	IB 2 D
SKX03F_A	IF 2 D
SKX03F_A	JG 2 D
SKX03F_A	JH 0 D
SKX03F_A	KE 0 C
SKX03F_A	KF 1 B
SKX03F_A	KG 0 B

NAME	PAGE
SKX03F_B	AE 4 B
SKX03F_B	BH 0 E
SKX03F_B	CH 2 D
SKX03F_B	FB 3 D
SKX03F_B	FC 0 E
SKX03F_B	FD 0 E
SKX03F_B	GK 2 C

NAME	PAGE
SKX03F_B	IC 1 E
X02	AE 2 C
X02	AL 1 C
X02	AN 1 C
X02	CC 4 B
X02	CL 3 B
X02	CN 4 B

NAME	PAGE
X02	HA 0 E
X03	AE 3 D
X03	AG 1 D
X03	AL 1 D
X03	AN 2 D
X03	CB 1 D
X07B	IG 3 C

NAME	PAGE
X07C	IG 4 C
X07D	HD 1 C
X07D	HE 1 C
X07D	HH 2 C
X07H	IG 3 C
X07K	IG 4 C
X45	CA 2 B

VOLVO Group Trucks Technology

Document title
12V SCHEMATIC VOLVO

Document type
PRODUCT SCHEMATIC

Document No

21849527

Issue

09

Volume

2 (2)

Page

2 (43)

0

1

2

3

4

FUSES AND CIRCUIT BREAKERS

FUSE	DESCRIPTION	PAGE
F01 ()	DCP Power/ Power Mirror/ TGW	AB 2 D
F01 ()	DCP Power/ Power Mirror/ TGW	BJ 0 A
F01 ()	DCP Power/ Power Mirror/ TGW	IC 2 A
F02 ()	Radio/ Radio with Amplifier	AB 3 D
F02 ()	Radio/ Radio with Amplifier	BA 1 A
F02 ()	Radio/ Radio with Amplifier	KA 1 A
F02 ()	Radio/ Radio with Amplifier	KB 2 A
F02 ()	Radio/ Radio with Amplifier	KC 0 A
F02 ()	Radio/ Radio with Amplifier	KE 0 A
F02 ()	Radio/ Radio with Amplifier	KF 2 A
F02 ()	Radio/ Radio with Amplifier	KG 0 A
F03 ()	Driver Window, Heated mirrors	AB 3 D
F03 ()	Driver Window, Heated mirrors	IC 1 A
F04 ()	RH Window	AB 3 D
F04 ()	RH Window	IC 3 A
F05 ()	{ACC/APU Power}	AB 3 D
F08 ()	LCM1	AB 3 C
F08 ()	LCM1	GB 3 A
F09 ()	City Horn, Air Horn	AB 3 C
F09 ()	City Horn, Air Horn	GQ 1 A
F10 ()	LCM2	AB 3 C
F10 ()	LCM2	GB 3 B
F11 ()	Batt. Expansion/ Sec. Instrument	AB 3 C
F11 ()	Batt. Expansion/ Sec. Instrument	BD 2 A
F12 ()	Diagnostic Tool/ Road Relay	AB 4 C
F12 ()	Diagnostic Tool/ Road Relay	BC 1 A
F12 ()	Diagnostic Tool/ Road Relay	XA 4 A
F13 ()	TGW	AB 4 C
F13 ()	TGW	BJ 0 A
F14 ()	ECS/ Beacon Lamps	AB 4 C
F14 ()	ECS/ Beacon Lamps	EB 4 A
F14 ()	ECS/ Beacon Lamps	EH 4 A
F14 ()	ECS/ Beacon Lamps	GJ 1 A
F15 ()	Key Switch Bat	AB 1 B
F16 ()	LCM3	AB 1 B
F16 ()	LCM3	GB 3 A
F17 ()	LCM6	AB 2 B
F17 ()	LCM6	GB 3 A
F18 ()	LCM5	AB 2 B
F18 ()	LCM5	GB 3 B
F19 ()	I-Shift	AB 2 B
F19 ()	I-Shift	DA 0 A
F20 ()	Batt Cluster Radio,	AB 2 B
F20 ()	Batt Cluster Radio,	BA 0 A
F20 ()	Batt Cluster Radio,	KA 1 A
F20 ()	Batt Cluster Radio,	KB 3 A
F20 ()	Batt Cluster Radio,	KC 1 A
F20 ()	Batt Cluster Radio,	KE 1 A
F20 ()	Batt Cluster Radio,	KF 3 A
F20 ()	Batt Cluster Radio,	KG 1 A

FUSE	DESCRIPTION	PAGE
F21 ()	Cummins IGN	AB 0 E
F21 ()	Cummins IGN	CC 2 A
F21 ()	Cummins IGN	CL 1 A
F21 ()	Cummins IGN	CN 2 A
F22 ()	EFRC IGN	AB 0 E
F22 ()	EFRC IGN	AC 2 A
F23 ()	Climate Control Ign.	AB 0 E
F23 ()	Climate Control Ign.	HA 0 B
F25 ()	Heated Seats	AB 1 E
F25 ()	Heated Seats	IB 2 A
F26 ()	Wiper	AB 1 E
F26 ()	Wiper	GP 0 A
F27 ()	Interaxle/ Interwheel	AB 1 E
F27 ()	Interaxle/ Interwheel	FD 2 A
F28 ()	SRS	AB 1 E
F28 ()	SRS	JA 1 A
F29 ()	Camera Prep/ BB IGN-Z	AB 2 E
F29 ()	Camera Prep/ BB IGN-Z	BH 1 A
F30 ()	Snow Plow LPS LH	AB 2 E
F30 ()	Snow Plow LPS LH	GI 2 A
F31 ()	Touch Lock/ Heated Windshield	AB 2 E
F31 ()	Touch Lock/ Heated Windshield	FF 1 A
F31 ()	Touch Lock/ Heated Windshield	IB 3 A
F32 ()	Snow Plow LPS RH	AB 3 E
F32 ()	Snow Plow LPS RH	GI 1 A
F33 ()	Not Used	AB 3 E
F34 ()	PTO	AB 3 E
F34 ()	PTO	DP 2 A
F41 ()	Not Used	AA 4 D
F42 ()	12V Socket, Cooler, Sleeper	AA 0 D
F42 ()	12V Socket, Cooler, Sleeper	IG 3 A
F43 ()	Roof Sign/ Body Builder	AA 0 D
F43 ()	Roof Sign/ Body Builder	BH 0 A
F43 ()	Roof Sign/ Body Builder	GC 2 A
F44 ()	Not Used	AA 0 D
F45 ()	Auxiliary Switches 3 / 4	AA 0 D
F45 ()	Auxiliary Switches 3 / 4	NA 3 A
F46 ()	LECM1 Fuses FB1, FB2, FB7	AA 1 D
F46 ()	LECM1 Fuses FB1, FB2, FB7	HB 2 A
F47 ()	LECM4 Fuses FB3, FB5, FB9, FB10	AA 1 D
F47 ()	LECM4 Fuses FB3, FB5, FB9, FB10	HB 3 A
F48 ()	LECM3 HVAC Fan	AA 1 D
F48 ()	LECM3 HVAC Fan	HB 3 A
F49 ()	LCM4	AA 0 B
F49 ()	LCM4	GB 3 B
F50 ()	LECM2 Fuses FB6, FB8	AA 0 B
F50 ()	LECM2 Fuses FB6, FB8	HB 2 A
F51 ()	Climate Control, AC Blower Batt.	AA 0 B
F51 ()	Climate Control, AC Blower Batt.	HA 0 A
F52 ()	LVD Sense/ Qualcomm/ Mobile Max 2	AA 0 B

FUSES AND CIRCUIT BREAKERS

FUSE	DESCRIPTION	PAGE
F52 ()	LVD Sense/ Qualcomm/ Mobile Max 2	BE 2 A
F52 ()	LVD Sense/ Qualcomm/ Mobile Max 2	BG 0 A
F53 ()	Central Locks Batt.	AA 1 B
F53 ()	Central Locks Batt.	IF 2 A
F54 ()	ABS 1.	AA 1 B
F54 ()	ABS 1.	EA 2 A
F54 ()	ABS 1.	EC 2 A
F54 ()	ABS 1.	EG 2 A
F55 ()	FUSE, BENDIX FUSION	AA 1 B
F55 ()	FUSE, BENDIX FUSION	JH 0 A
F56 ()	FUSE, METHANE DETECT	AA 2 E
F56 ()	FUSE, METHANE DETECT	CM 0 A
F57 ()	LDWS	AA 3 E
F57 ()	LDWS	JG 2 A
F57 ()	LDWS	JH 0 A
F58 ()	LCM/LCP IGN./ Central Locks/ IGN.	AA 3 E
F58 ()	LCM/LCP IGN./ Central Locks/ IGN.	GA 1 A
F59 ()	Volvo Link/ QualComm IGN./Mobile Max 2	AA 3 E
F59 ()	Volvo Link/ QualComm IGN./Mobile Max 2	BE 2 A
F59 ()	Volvo Link/ QualComm IGN./Mobile Max 2	BG 0 A
F60 ()	LECM IGN.	AA 3 E
F60 ()	LECM IGN.	HB 3 A
F61 ()	Road Relay Ign.	AA 4 E
F61 ()	Road Relay Ign.	BC 1 A
F62 ()	BACKUP LAMPS	AA 4 E
F62 ()	BACKUP LAMPS	GK 3 A
F63 ()	Lift Axle/ BB Reverse/ Susp. Dump/ Fifth	AA 3 D
F63 ()	Lift Axle/ BB Reverse/ Susp. Dump/ Fifth	FC 1 A
F64 ()	BB IGN-Y	AA 3 D
F64 ()	BB IGN-Y	BH 1 A
F65 ()	BB IGN-X	AA 3 D
F65 ()	BB IGN-X	BH 0 A
F66 ()	IGN. EXP/ Sec. Instrument	AA 3 D
F66 ()	IGN. EXP/ Sec. Instrument	BD 2 A
F67 ()	VORAD/ ECS/ACC	AA 4 D
F67 ()	VORAD/ ECS/ACC	EB 3 A
F67 ()	VORAD/ ECS/ACC	EH 3 A
F67 ()	VORAD/ ECS/ACC	JE 0 A
F68 ()	I SHIFT GECU	AA 4 D
F68 ()	I SHIFT GECU	DA 1 B
F69 ()	ISHIFT TECU	AA 4 D
F69 ()	ISHIFT TECU	DA 0 B
F77 ()	12V Power Outlets, Dash	AA 0 D
F77 ()	12V Power Outlets, Dash	IG 0 A
F78 ()	Dome/ Door Lamps	AA 1 D
F78 ()	Dome/ Door Lamps	IA 2 A
F79 ()	CB Power Studs	AA 1 D
F79 ()	CB Power Studs	IG 2 A
F80 ()	12V Socket, D.S. Cab, Sleeper	AA 1 D
F80 ()	12V Socket, D.S. Cab, Sleeper	IG 4 A

FUSE	DESCRIPTION	PAGE
F81 ()	Auxiliary Switches 1 / 2	AA 1 D
F81 ()	Auxiliary Switches 1 / 2	NA 1 A
F82 ()	12V Power Overhead	AA 2 D
F82 ()	12V Power Overhead	IG 2 A
F90 ()	FUSE SINK PUMP	HE 0 C
F90 ()	FUSE SINK PUMP	HH 0 C
FE1 ()	TRAILER STOP RELAY	AC 0 B
FE1 ()	TRAILER STOP RELAY	MA 1 A
FE2 ()	RELAY TRAILER CLEARANCE	AC 1 B
FE2 ()	RELAY TRAILER CLEARANCE	MA 1 A
FE3 ()	RELAY TRAILER MARKER	AC 1 B
FE3 ()	RELAY TRAILER MARKER	MA 2 A
FE4 ()	EMS MAIN VOLVO/ CUMMINS	AC 2 C
FE4 ()	EMS MAIN VOLVO/ CUMMINS	AG 2 A
FE5 ()	ACM EMS	AC 2 C
FE5 ()	ACM EMS	AG 3 A
FE5 ()	ACM EMS	BP 2 A
FE6 ()	VECU/ WATER IN FUEL SW/ ENG. BRAKE	AC 2 C
FE6 ()	VECU/ WATER IN FUEL SW/ ENG. BRAKE	AG 0 A
FE7 ()	BODY BUILDER MODULE	AC 2 C
FE7 ()	BODY BUILDER MODULE	AG 0 A
FE8 ()	EMS COM 1	AC 3 C
FE8 ()	EMS COM 1	AG 3 A
FE8 ()	EMS COM 1	CL 3 A
FE9 ()	EMS COMP 2	AC 3 C
FE9 ()	EMS COMP 2	AG 4 A
FE9 ()	EMS COMP 2	CL 3 A
FE10 ()	TRAILER AUX/ABS	AC 3 C
FE10 ()	TRAILER AUX/ABS	MA 3 A
FE11 ()	ABS IGN	AC 3 C
FE11 ()	ABS IGN	EA 2 A
FE11 ()	ABS IGN	EC 2 A
FE11 ()	ABS IGN	EG 2 A
FE12 ()	FUEL HEAT	AC 3 C
FE12 ()	FUEL HEAT	CE 2 A
FE13 ()	AIR DRYER	AC 4 C
FE13 ()	AIR DRYER	FA 2 A
FE14 ()	TPM	AC 4 C
FE14 ()	TPM	FG 0 A
FE15 ()	LNG FAN	AC 4 C
FE16 ()	FAN FUEL COOLER	AC 4 C
FE17 ()	CES/ SPARE	AD 0 B
FE17 ()	CES/ SPARE	CP 3 A
FE18 ()	CUMMINS ISX/ ISX-G	AD 0 B
FE18 ()	CUMMINS ISX/ ISX-G	CC 1 A
FE18 ()	CUMMINS ISX/ ISX-G	CL 3 A
FE19 ()	AUTO TRANS: ALLISON/ EATON	AD 1 B
FE19 ()	AUTO TRANS: ALLISON/ EATON	DB 4 A
FE19 ()	AUTO TRANS: ALLISON/ EATON	DF 0 A
FE20 ()	TRAILER LEFT TURN	AD 1 B

0

1

2

3

4

FUSES AND CIRCUIT BREAKERS

FUSE	DESCRIPTION	PAGE
FE20 ()	TRAILER LEFT TURN	MA 3 B
FE21 ()	TRAILER RIGHT TURN	AD 1 B
FE21 ()	TRAILER RIGHT TURN	MA 3 B
FE22 ()	FUSE CUMMINS ICM	AD 1 B
FE23 ()	SPARE	AD 2 B
FE24 ()	FUSE CUMMINS MAF	AD 2 B
FE25 ()	UREA HEATED LINES	AD 0 B
FE25 ()	UREA HEATED LINES	CD 1 A
FE25 ()	UREA HEATED LINES	CP 1 A

FUSE	DESCRIPTION	PAGE
FM08A (5 AMP FUSE)	TRUCK BATT TO BATT MONITOR FUSE	HJ 3 D
FT01 ()	FUSE ACM	CK 0 B
FT02A ()	FUSE, CLUTCH, POWER	DB 0 D
FT03 ()	FUSE DISCONNECT SWITCH	AM 3 D
FT04 ()	FUSE DISCONNECT SOLENOID	AM 2 D
FT05 ()	FUSE DCU	CC 3 B
FT05 ()	FUSE DCU	CN 3 B
FT06 ()	CUMMINS UREA PUMP	CN 3 A

0

1

2

3

4

RELAYS

RELAY	DESCRIPTION	PAGE
RLY02	RELAY, POWER ACCESSORIES	AB 2 D
RLY03	RELAY DOOR ALARM	IA 3 C
RLY04	RELAY PARK BRAKE ALARM	IA 4 C
RLY05	RELAY, POWER IGNITION 1	AB 1 D
RLY06	RELAY RADIO WAKE	KE 0 B
RLY06	RELAY RADIO WAKE	KF 2 B
RLY06	RELAY RADIO WAKE	KG 0 B
RLY07	RELAY, PTO	DP 1 B
RLY08	RELAY, POWER IGNITION 2	AA 2 C
RLY10	RELAY, CITY HORN	GQ 1 C
RLY11	RELAY, DOME/ DOOR LAMPS	IA 2 C
RLY12	RELAY, INTERMITTENT WIPER	GP 0 B
RLY13	RELAY, AUTOSHIFT	DB 2 B
RLY13_1	RELAY, START ENABLE	DF 2 B
RLY13_3	RELAY NEUTRAL START I-SHIFT	AI 2 D
RLY14	Relay Lift Axle/ Reverse	FB 3 B
RLY14	Relay Lift Axle/ Reverse	GK 1 B

RELAY	DESCRIPTION	PAGE
RLY15	RELAY REMOTE START ENABLE	BM 5 B
RLY16	RELAY, BODY BUILDER REMOTE THROTTLE INC	AH 2 C
RLY17	RELAY, BODY BUILDER REMOTE THROTTLE DE	AH 3 B
RLY23	RELAY, ER2 ALLISON BODY BUILDER	DF 4 B
RLY24	RELAY, ER1 ALLISON BODY BUILDER	DF 3 B
RLY26	SNOWPLOW LH ER4	GI 2 C
RLY27	SNOWPLOW RH ER9	GI 1 C
RLY28	SNOWPLOW LCM INPUT ER7	GI 3 C
RLY33B	RELAY, ER3 I-SHIFT POWER	DA 1 B
RLY34	RELAY, ER4 ECS POWER	EB 4 B
RLY34	RELAY, ER4 ECS POWER	EH 4 B
RLY38	RELAY, ROOF MARKER LAMPS, ER1	GC 2 B
RLY41	RELAY, PARK BRAKE	HB 4 C
RLYER5	RELAY, METHANE DETECT	CM 0 C
RLYER6	RELAY METHANE DETECTOR	CM 0 B
RLYSA1	RELAY SERVICE OVERLAY1	JJ 2 C

COMPONENTS

COMPONENT DESCRIPTION	PAGE
	AB 3 E
	DA 1 A
	DB 3 A
	DF 1 A
A03A INSTRUMENT CLUSTER A	BA 0 D
A03B INSTRUMENT CLUSTER B	BA 2 C
A03C INSTRUMENT CLUSTER C	BB 0 C
A03S SECONDARY GAUGES	BD 1 B
A04 REFRIGERATOR	HD 1 B
A04 REFRIGERATOR	HE 1 C
A04 REFRIGERATOR	HH 1 C
A04A REFRIGERATOR	HE 1 D
A04A REFRIGERATOR	HH 1 D
A07A RADIO	BC 4 B
A07A RADIO	KA 0 C
A07A RADIO	KB 2 C
A07A RADIO	KC 0 B
A07A RADIO	KD 1 B
A07A RADIO	XC 4 D
A12A CONTROL UNIT, ABS (ANTI-LOCK BRAKE SYSTEM	EA 0 C
A12B CONTROL UNIT, ABS (ANTI-LOCK BRAKE SYSTEM	EC 0 C
A12B CONTROL UNIT, ABS (ANTI-LOCK BRAKE SYSTEM	ED 0 A
A12B CONTROL UNIT, ABS (ANTI-LOCK BRAKE SYSTEM	EG 0 C
A13B TECU AMT-F	DA 3 D
A13E Control unit, TECU (automatic transmissio	DA 2 B
A14C CONTROL UNIT EMS CUMMINS ISX '16	CC 0 D
A14C CONTROL UNIT EMS CUMMINS ISX '16	CD 0 E
A14D CONTROL UNIT EMS CUMMINS ISX '17	CN 0 D
A14D CONTROL UNIT EMS CUMMINS ISX '17	CP 0 E
A15 Control unit, SRS (Supplementary Restra	JA 1 C
A16 Control unit, ECS (Electronic Controlled	EB 0 C
A16 Control unit, ECS (Electronic Controlled	EH 0 C
A17 Control unit, VECU (Vehicle ECU)	AG 1 C
A17 Control unit, VECU (Vehicle ECU)	AH 0 D
A17 Control unit, VECU (Vehicle ECU)	AI 0 A
A17 Control unit, VECU (Vehicle ECU)	AJ 1 C
A19E SHIFT SELECTOR ALLISON	DF 0 E
A27 LIGHT CONTROL MODULE	GA 4 C
A27 LIGHT CONTROL MODULE	GB 1 C
A27 LIGHT CONTROL MODULE	GG 0 A
A27 LIGHT CONTROL MODULE	GK 0 A
A27 LIGHT CONTROL MODULE	IE 2 A
A34 CONTROL UNIT, CLIMATE	HA 2 B
A36 Control unit, BBM (Body Builder Module)	BI 0 C
A36 Control unit, BBM (Body Builder Module)	BM 1 C
A38 Control unit, FMS, satellite communicati	BE 0 C
A38A CONTROL UNIT, MOBILE MAX II	BG 0 C
A46 Control unit, LECM (Living Environment Co	HH 4 B
A46 Control unit, LECM (Living Environment Co	HD 3 A
A46 Control unit, LECM (Living Environment Co	HE 3 A

COMPONENT DESCRIPTION	PAGE
A46 Control unit, LECM (Living Environment Co	HH 3 A
A46 Control unit, LECM (Living Environment Co	XC 2 B
A48 TV	KC 0 C
A48 TV	KG 0 C
A51 DISPLAY, SIDE SENSOR	JF 2 C
A55A EATON AUTO/ULTRA SHIFT GEN 3 ECU	DB 1 D
A56 STEREO AMPLIFIER	KC 0 C
A56 STEREO AMPLIFIER	KG 0 C
A57A CONTROL UNIT ALLISON TRANS. GEN 4	DE 0 A
A57A CONTROL UNIT ALLISON TRANS. GEN 4	DF 0 C
A58A ALLISON TRANSMISSION	DE 0 D
A60 CONTROL UNIT LANE DEPARTURE WARNING SYSTE	JG 1 B
A61A BATTERY MONITOR, MIDTRONICS	HJ 4 D
A70A PUSH BUTTON SHIFT CONTROL	DB 0 C
A72 LOW VOLTAGE DISCONNECT	AA 2 C
A72 LOW VOLTAGE DISCONNECT	HB 2 D
A80 Airdryer, electrical controlled	FA 1 C
A102A CONTROL UNIT, GPS RECEIVER TELEMATICS GAT	BJ 2 D
A109 Control unit, GSECU (Gearshift ECU)	DA 1 C
A131A LVD, POWER SEPARATOR	HJ 4 B
A132 CONTROL UNIT TIRE PRESSURE MONITORING	FG 0 C
A132B TPM MODULE	FG 2 C
A137 DEF CONTROL MODULE,	CK 0 C
A138 PUMP UNIT, ADBLUE	CK 1 E
A138A PUMP UNIT, ADBLUE (CUMMINS)	CC 1 C
A147 Control Unit, Fuel Filter Module	BP 2 D
A148 Control Unit, Heated Windshield	IB 3 C
A158 Control unit, Audio	KD 3 C
A158 Control unit, Audio	KE 0 C
A158 Control unit, Audio	KF 2 C
A158 Control unit, Audio	KG 1 B
A158 Control unit, Audio	KH 1 C
A158A CONTROL UNIT, AUDIO INFOTAINMENT	XC 0 B
A170 Control panel, climate	HJ 0 B
A186 Control Unit, PCCU (Parking Cooler Contro	HJ 0 C
A232 SYSTEM BENDIX FUSION	JH 2 B
B06 Sensor, air pressure, air tank	AI 1 C
B06A SENSOR, AIR PRESSURE B-TANK / FRONT BRAK	BA 3 D
B06AP SENSOR AIR PRESSURE BRAKE APPLICATION	BA 2 D
B06B SENSOR, AIR PRESSURE A-TANK / REAR BRAK	BA 3 D
B07 SENSOR FUEL LEVEL	BA 3 D
B09 SENSOR OIL TEMP GEARBOX	BA 4 D
B13 SENSOR WHEEL SPEED LH 1ST AXLE	EA 1 B
B13 SENSOR WHEEL SPEED LH 1ST AXLE	EC 2 B
B13 SENSOR WHEEL SPEED LH 1ST AXLE	EG 2 B
B14 SENSOR WHEEL SPEED RH 1ST AXLE	EA 1 B
B14 SENSOR WHEEL SPEED RH 1ST AXLE	EC 1 B
B14 SENSOR WHEEL SPEED RH 1ST AXLE	EG 1 B
B15 SENSOR WHEEL SPEED LH 2ND AXLE	EA 0 D
B15 SENSOR WHEEL SPEED LH 2ND AXLE	EC 0 B

COMPONENTS

COMPONENT	DESCRIPTION	PAGE
B15	SENSOR WHEEL SPEED LH 2ND AXLE	EG 0 B
B16	SENSOR, WHEEL SPEED RH 2ND AXLE	EA 1 D
B16	SENSOR, WHEEL SPEED RH 2ND AXLE	EC 4 D
B16	SENSOR, WHEEL SPEED RH 2ND AXLE	EG 4 D
B17	SENSOR, WHEEL SPEED LH 3RD AXLE	EA 2 D
B17	SENSOR, WHEEL SPEED LH 3RD AXLE	EC 1 D
B17	SENSOR, WHEEL SPEED LH 3RD AXLE	EG 1 D
B18	SENSOR WHEEL SPEED RH 3RD AXLE	EA 3 D
B18	SENSOR WHEEL SPEED RH 3RD AXLE	EC 2 D
B18	SENSOR WHEEL SPEED RH 3RD AXLE	EG 2 D
B22A	SENSOR AMBIENT AIR TEMP.	BA 3 A
B22A_S	AMBIENT TEMP SERVICE	BA 4 A
B22B	SENSOR AMBIENT AIR TEMP.	BA 3 A
B22C	SENSOR, AMBIENT AIR TEMP	CC 3 D
B22C	SENSOR, AMBIENT AIR TEMP	CN 3 D
B25A	SENSOR ACCELERATOR PEDAL	AI 1 D
B30A	SENSOR, CHASSIS LEVEL DRIVE AXLE	EB 2 E
B30A	SENSOR, CHASSIS LEVEL DRIVE AXLE	EH 2 E
B38RC	SENSOR OIL TEMP REAR CENTER AXLE	BB 3 D
B38RF	SENSOR OIL TEMP REAR FRONT AXLE	BB 3 D
B38RR	SENSOR OIL TEMP REAR REAR AXLE	BB 4 D
B39	SENSOR AIR RESTRICTION	BB 0 B
B49	SENSOR, STEERING ANGLE	ED 1 D
B50	SENSOR, YAW-RATE ESP	ED 2 D
B55A	SENSOR, AIR PRESSURE, SUSPENSION BELLOWS,	EB 0 D
B55A	SENSOR, AIR PRESSURE, SUSPENSION BELLOWS,	EH 0 D
B55B	SENSOR, AIR PRESSURE, SUSPENSION BELLOWS	EH 1 D
B56	Sensor, air pressure, suspension bellows	BA 3 B
B58A	SENSOR, AIR PRESSURE, SUSPENSION BELLOWS,	EB 1 D
B58A	SENSOR, AIR PRESSURE, SUSPENSION BELLOWS,	EH 1 D
B58R	SENSOR AIR PRESSURE REAR SUSPENSION	BA 2 D
B59	Sensor, Indoor Temp.	HA 2 B
B60A	SPEAKER LEFT DASH	KA 2 E
B60A	SPEAKER LEFT DASH	KB 3 E
B60A	SPEAKER LEFT DASH	KC 1 E
B60A	SPEAKER LEFT DASH	KE 2 E
B60A	SPEAKER LEFT DASH	KF 3 E
B60A	SPEAKER LEFT DASH	KG 1 E
B60B	SPEAKER RIGHT DASH	KA 2 E
B60B	SPEAKER RIGHT DASH	KB 2 E
B60B	SPEAKER RIGHT DASH	KC 2 E
B60B	SPEAKER RIGHT DASH	KE 1 E
B60B	SPEAKER RIGHT DASH	KF 2 E
B60B	SPEAKER RIGHT DASH	KG 2 E
B60C	SPEAKER LEFT DOOR	KA 1 E
B60C	SPEAKER LEFT DOOR	KB 4 E
B60C	SPEAKER LEFT DOOR	KC 0 E
B60C	SPEAKER LEFT DOOR	KE 0 E
B60C	SPEAKER LEFT DOOR	KF 4 E
B60C	SPEAKER LEFT DOOR	KG 0 E

COMPONENT	DESCRIPTION	PAGE
B60D	SPEAKER RIGHT DOOR	KA 1 E
B60D	SPEAKER RIGHT DOOR	KB 2 E
B60D	SPEAKER RIGHT DOOR	KC 0 E
B60D	SPEAKER RIGHT DOOR	KE 1 E
B60D	SPEAKER RIGHT DOOR	KF 2 E
B60D	SPEAKER RIGHT DOOR	KG 0 E
B60E	SPEAKER LEFT UPPER	KB 0 D
B60E	SPEAKER LEFT UPPER	KF 0 D
B60F	SPEAKER RIGHT UPPER	KB 0 D
B60F	SPEAKER RIGHT UPPER	KF 0 D
B60G	SPEAKER LEFT LOWER	KC 2 D
B60G	SPEAKER LEFT LOWER	KG 2 D
B60G_1	SPEAKER LEFT LOWER	KG 2 E
B60H	SPEAKER RIGHT LOWER	KC 2 D
B60H	SPEAKER RIGHT LOWER	KG 2 D
B60H_1	SPEAKER RIGHT LOWER	KG 2 E
B60I	SPEAKER SUBWOOFER	KC 2 D
B60I	SPEAKER SUBWOOFER	KG 3 E
B60J	SPEAKER LEFT UPPER	KB 1 E
B60J	SPEAKER LEFT UPPER	KF 1 E
B60K	SPEAKER RIGHT UPPER	KB 1 E
B60K	SPEAKER RIGHT UPPER	KF 1 E
B60L H2	SPEAKER, LEFT REAR	KB 1 B
B60L H2	SPEAKER, LEFT REAR	KF 1 B
B60L H4	SPEAKER, LEFT REAR	KB 1 C
B60L H4	SPEAKER, LEFT REAR	KF 1 C
B60M H2	SPEAKER, RIGHT REAR	KB 0 B
B60M H2	SPEAKER, RIGHT REAR	KF 0 B
B60M H4	SPEAKER, RIGHT REAR	KB 0 C
B60M H4	SPEAKER, RIGHT REAR	KF 0 C
B60N	SPEAKER, LEFT UPPER	KC 4 D
B60N	SPEAKER, LEFT UPPER	KG 4 D
B60P	SPEAKER, RIGHT UPPER	KC 4 D
B60P	SPEAKER, RIGHT UPPER	KG 4 D
B60R	SPEAKER LEFT UPPER	KC 4 B
B60R	SPEAKER LEFT UPPER	KG 4 B
B60S	SPEAKER RIGHT UPPER	KC 4 B
B60S	SPEAKER RIGHT UPPER	KG 4 B
B61A	TWEETER LEFT DASH	KA 2 E
B61A	TWEETER LEFT DASH	KB 3 E
B61A	TWEETER LEFT DASH	KC 0 E
B61A	TWEETER LEFT DASH	KE 2 E
B61A	TWEETER LEFT DASH	KF 3 E
B61A	TWEETER LEFT DASH	KG 0 E
B61B	TWEETER RIGHT DASH	KA 1 E
B61B	TWEETER RIGHT DASH	KB 2 E
B61B	TWEETER RIGHT DASH	KC 1 E
B61B	TWEETER RIGHT DASH	KE 1 E
B61B	TWEETER RIGHT DASH	KF 2 E
B61B	TWEETER RIGHT DASH	KG 1 E

COMPONENTS

COMPONENT	DESCRIPTION	PAGE
B62	Socket, TV Headphone	KC 0 C
B62	Socket, TV Headphone	KG 0 C
B63	Microphone, (handsfree)	KD 2 B
B64A	SPEAKER BENDIX FUSION LEFT DASH	JH 4 D
B64B	SPEAKER BENDIX FUSION RIGHT DASH	JH 4 D
B68	Sensor, output shaft speed, gearbox	AI 0 D
B68	Sensor, output shaft speed, gearbox	CC 2 C
B68	Sensor, output shaft speed, gearbox	CL 1 B
B68	Sensor, output shaft speed, gearbox	CN 2 C
B68_B	Sensor, output shaft speed, gearbox	AI 1 E
B78	SIDE SENSOR	JF 1 C
B80	SENSOR, ETHER START	CA 1 B
B82A	SENSOR, ACC RADAR FLR-20	JE 0 D
B96	Sensor, NOx	CK 3 B
B96B	Sensor, NOx	CK 2 B
B105A	SENSOR, RETARDER TEMP	DE 3 D
B121	Sensor, Low level washer fluid	GP 3 B
B122A	SENSOR EXHAUST TEMP. CATALYST	CL 2 E
B122B	SENSOR CATALYST OUTLET TEMP. 2	CL 2 B
B123	SENSOR LOW COOLANT	CB 2 D
B123A	SENSOR, LOW COOLANT	CB 3 D
B123A	SENSOR, LOW COOLANT	CL 2 E
B123B	SENSOR, LOW COOLANT	CC 1 C
B123B	SENSOR, LOW COOLANT	CN 1 C
B142B	Sensor, AdBlue level and temperature	CC 3 C
B142C	Sensor, AdBlue level and temperature	CD 3 B
B142C	Sensor, AdBlue level and temperature	CK 1 B
B142C	Sensor, AdBlue level and temperature	CP 3 A
B152	SENSOR, BRAKE AIRPRESSURE, FRONT	ED 2 C
B153	SENSOR, BRAKE AIRPRESSURE, REAR	ED 3 C
B164L	Loudspeaker, left	KE 4 C
B177	SENSOR AIR PRESSURE, SUSPENSION BELLOWS,	ED 3 B
B185A	SENSOR OXYGEN OUTLET EGO	CL 1 D
B300B	METHANE SENSOR ENGINE	CM 3 D
B300C	METHANE SENSOR SLEEPER	CM 2 D
B310	Sensor, Particulate Matter	CK 2 B
B319	SENSOR ALARM CO	CM 1 D
B319_B	SENSOR ALARM CO SLEEPER	CM 2 D
E05A	5TH WHEEL LAMP	GG 1 C
E05A	5TH WHEEL LAMP	GH 1 C
E05B	5TH WHEEL LAMP, HIGH	GG 2 C
E05B	5TH WHEEL LAMP, HIGH	GH 0 C
E05C	5TH WHEEL LAMP,DUAL	GG 2 C
E05C	5TH WHEEL LAMP,DUAL	GH 1 C
E05D	5TH WHEEL LAMP,DUAL	GG 3 C
E05D	5TH WHEEL LAMP,DUAL	GH 0 C
E05E	BACK OF CAB LAMP, D.S.	GG 3 C
E05E	BACK OF CAB LAMP, D.S.	GH 1 C
E05F	BACK OF CAB LAMP, P.S.	GG 3 C
E05F	BACK OF CAB LAMP, P.S.	GH 2 C

COMPONENT	DESCRIPTION	PAGE
E05K	5TH WHEEL LAMP	GG 2 C
E06	LAMP BACKUP	GK 1 E
E06LED	LAMP LED BACKUP	GK 1 E
E07L	Lamp, Fog Light	GE 2 C
E07R	Lamp, Fog Light	GE 3 C
E08L	Lamp, Driving Light	GE 3 C
E08R	Lamp, Driving Light	GE 3 C
E10	LAMP, TAIL LIGHT	GF 3 B
E10L	LAMP TAIL LIGHT LEFT	GF 3 D
E10LA	LAMP TAIL LIGHT LEFT	GF 0 C
E10R	LAMP TAIL LIGHT RIGHT	GF 4 D
E10RA	LAMP TAIL LIGHT RIGHT	GF 1 C
E11L	Lamp, Side Repeater	GA 1 D
E11L	Lamp, Side Repeater	IE 2 C
E11R	Lamp, Side Repeater	GA 2 D
E11R	Lamp, Side Repeater	IE 2 C
E12A	LAMP, MARKER	GC 1 D
E12B	LAMP, MARKER	GC 1 D
E12C	LAMP, MARKER	GC 2 D
E12D	LAMP, MARKER	GC 2 D
E12E	LAMP, MARKER	GC 2 D
E13L	Lamp, Park/Turn	GD 1 C
E13R	Lamp, Park/Turn	GD 1 C
E14L	WARNING LAMP SNOWPLOW	GJ 1 D
E14R	WARNING LAMP SNOWPLOW	GJ 1 D
E16L	Lamp, Door instep light, left	IA 1 D
E16R	Lamp, Door instep light, right	IA 1 D
E17C	Lamp Fluorescent	HE 3 D
E17C	Lamp Fluorescent	HH 4 B
E17C_H2	LAMP, FLOURESCENT	HD 3 C
E17C_H4	LAMP, FLOURESCENT	HD 3 C
E17D	LAMP, WORKCENTRE FLUORESCENT	HE 4 C
E17L	LAMP, FRONT OVRHEAD LEFT	IA 0 D
E17L2	LAMP, OVERHEAD	IA 1 B
E17R	LAMP, FRONT OVRHEAD RIGHT	IA 0 D
E18A	LAMP, LOWER D.S.	HD 4 D
E18B	LAMP, UNDER CABINET D.S.	HD 4 C
E18C	LAMP, UPPER D.S.	HE 2 B
E18C	LAMP, UPPER D.S.	HH 2 C
E18D	LAMP, UPPER P.S.	HE 2 B
E18E	LAMP, LOWER D.S.	HE 2 C
E18F	LAMP, LOWER P.S.	HE 3 C
E18G	LAMP, UPPER P.S.	HD 2 C
E18H	LAMP, UPPER D.S.	HD 2 C
E18J	LAMP, LOWER D.S.	HD 3 D
E18K	LAMP, TABLE	HD 3 D
E18L	LAMP, UNDER CABINET D.S.	HH 3 B
E18M	LAMP, UPPER D.S.	HD 1 C
E18N	LAMP, CENTER	HH 2 B
E18P	LAMP, LOWER D.S.	HH 3 C

COMPONENTS

COMPONENT	DESCRIPTION	PAGE
E18R	LAMP, LOWER P.S.	HH 3 B
E20A	Lamp Ashtray Illumination	IG 1 C
E22A	LAMP, ROOF SIGN ILLUMINATION	GC 0 D
E22B	LAMP, ROOF SIGN ILLUMINATION	GC 0 D
E22C	LAMP, ROOF SIGN ILLUMINATION	GC 0 D
E23A	LAMP, LUGGAGE D.S.	HD 2 B
E23B	LAMP, LUGGAGE P.S.	HD 3 B
E26L	Lamp, Headlamp Module	GD 2 B
E26L_1	Lamp, Headlamp Module	GD 3 D
E26R	Lamp, Headlamp Module	GD 3 B
E26R_1	Lamp, Headlamp Module	GD 3 D
E28	Parking heater, ADR	HB 4 D
E28A	PARK HEATER AUX AC	HJ 0 C
E30L	Lamp, Headlamp	GD 0 C
E30R	Lamp, Headlamp	GD 2 C
E32	HVAC UNIT	HB 3 D
E32A	HVAC UNIT	HA 2 D
E36A	LAMP, SUNVISOR	GC 3 D
E36B	LAMP, SUNVISOR	GC 3 D
E36C	LAMP, SUNVISOR	GC 3 D
E36D	LAMP, SUNVISOR	GC 4 D
E36E	LAMP, SUNVISOR	GC 4 D
E37	Lamp, LECM panel	HE 1 B
E37	Lamp, LECM panel	HH 1 B
E39	LAMP, LICENSE PLATE ILLUMINATION	GF 2 C
E43L	Lamp, Driving/Fog	GE 1 C
E43R	Lamp, Driving/Fog	GE 2 C
E80L	Lamp, Additional module, left	BP 3 B
E81A	UNDER CAB EXT. LAMP	IH 1 C
E81B	UNDER CAB EXT. LAMP	IH 1 C
E81C	UNDER CAB EXT. LAMP	IH 1 C
E81D	UNDER CAB EXT. LAMP	IH 2 C
E81E	UNDER CAB EXT. LAMP	IH 2 C
E81F	UNDER CAB EXT. LAMP	IH 2 C
E81G	UNDER CAB EXT. LAMP	IH 3 C
E81H	UNDER CAB EXT. LAMP	IH 3 C
E81J	UNDER CAB EXT. LAMP	IH 3 C
EM01	CONNECTOR CUMMINS SCR	CD 2 D
EM01_B	AM JUMPER	CD 3 E
EM02	CONNECTOR CROSSOVER CUMMINS	CD 3 C
EM03	CONNECTOR CUMMINS DPF	CD 4 D
EM04	SENSOR DEF QUAL. CUMMINS	CD 4 A
F01	DCP Power/ Power Mirror/ TGW	AB 2 D
F01	DCP Power/ Power Mirror/ TGW	BJ 0 A
F01	DCP Power/ Power Mirror/ TGW	IC 2 A
F02	Radio/ Radio with Amplifier	AB 3 D
F02	Radio/ Radio with Amplifier	BA 1 A
F02	Radio/ Radio with Amplifier	KA 1 A
F02	Radio/ Radio with Amplifier	KB 2 A
F02	Radio/ Radio with Amplifier	KC 0 A

COMPONENT	DESCRIPTION	PAGE
F02	Radio/ Radio with Amplifier	KE 0 A
F02	Radio/ Radio with Amplifier	KF 2 A
F02	Radio/ Radio with Amplifier	KG 0 A
F03	Driver Window, Heated mirrors	AB 3 D
F03	Driver Window, Heated mirrors	IC 1 A
F04	RH Window	AB 3 D
F04	RH Window	IC 3 A
F05	{ACC/APU Power}	AB 3 D
F08	LCM1	AB 3 C
F08	LCM1	GB 3 A
F09	City Horn, Air Horn	AB 3 C
F09	City Horn, Air Horn	GQ 1 A
F10	LCM2	AB 3 C
F10	LCM2	GB 3 B
F11	Batt. Expansion/ Sec. Instrument	AB 3 C
F11	Batt. Expansion/ Sec. Instrument	BD 2 A
F12	Diagnostic Tool/ Road Relay	AB 4 C
F12	Diagnostic Tool/ Road Relay	BC 1 A
F12	Diagnostic Tool/ Road Relay	XA 4 A
F13	TGW	AB 4 C
F13	TGW	BJ 0 A
F14	ECS/ Beacon Lamps	AB 4 C
F14	ECS/ Beacon Lamps	EB 4 A
F14	ECS/ Beacon Lamps	EH 4 A
F14	ECS/ Beacon Lamps	GJ 1 A
F15	Key Switch Bat	AB 1 B
F16	LCM3	AB 1 B
F16	LCM3	GB 3 A
F17	LCM6	AB 2 B
F17	LCM6	GB 3 A
F18	LCM5	AB 2 B
F18	LCM5	GB 3 B
F19	I-Shift	AB 2 B
F19	I-Shift	DA 0 A
F20	Batt Cluster Radio,	AB 2 B
F20	Batt Cluster Radio,	BA 0 A
F20	Batt Cluster Radio,	KA 1 A
F20	Batt Cluster Radio,	KB 3 A
F20	Batt Cluster Radio,	KC 1 A
F20	Batt Cluster Radio,	KE 1 A
F20	Batt Cluster Radio,	KF 3 A
F20	Batt Cluster Radio,	KG 1 A
F21	Cummins IGN	AB 0 E
F21	Cummins IGN	CC 2 A
F21	Cummins IGN	CL 1 A
F21	Cummins IGN	CN 2 A
F22	EFRC IGN	AB 0 E
F22	EFRC IGN	AC 2 A
F23	Climate Control Ign.	AB 0 E
F23	Climate Control Ign.	HA 0 B

COMPONENTS

COMPONENT	DESCRIPTION	PAGE
F24	NOT USED	AB 1 E
F25	Heated Seats	AB 1 E
F25	Heated Seats	IB 2 A
F26	Wiper	AB 1 E
F26	Wiper	GP 0 A
F27	Interaxle/ Interwheel	AB 1 E
F27	Interaxle/ Interwheel	FD 2 A
F28	SRS	AB 1 E
F28	SRS	JA 1 A
F29	Camera Prep/ BB IGN-Z	AB 2 E
F29	Camera Prep/ BB IGN-Z	BH 1 A
F30	Snow Plow LPS LH	AB 2 E
F30	Snow Plow LPS LH	GI 2 A
F31	Touch Lock/ Heated Windshield	AB 2 E
F31	Touch Lock/ Heated Windshield	FF 1 A
F31	Touch Lock/ Heated Windshield	IB 3 A
F32	Snow Plow LPS RH	AB 3 E
F32	Snow Plow LPS RH	GI 1 A
F33	Not Used	AB 3 E
F34	PTO	AB 3 E
F34	PTO	DP 2 A
F36	Not Used	AA 3 D
F37	NOT USED	AA 3 D
F38	Not Used	AA 4 D
F39	Not Used	AA 4 D
F40	Not Used	AA 4 D
F41	Not Used	AA 4 D
F42	12V Socket, Cooler, Sleeper	AA 0 D
F42	12V Socket, Cooler, Sleeper	IG 3 A
F43	Roof Sign/ Body Builder	AA 0 D
F43	Roof Sign/ Body Builder	BH 0 A
F43	Roof Sign/ Body Builder	GC 2 A
F44	Not Used	AA 0 D
F45	Auxiliary Switches 3 / 4	AA 0 D
F45	Auxiliary Switches 3 / 4	NA 3 A
F46	LECM1 Fuses FB1, FB2, FB7	AA 1 D
F46	LECM1 Fuses FB1, FB2, FB7	HB 2 A
F47	LECM4 Fuses FB3, FB5, FB9, FB10	AA 1 D
F47	LECM4 Fuses FB3, FB5, FB9, FB10	HB 3 A
F48	LECM3 HVAC Fan	AA 1 D
F48	LECM3 HVAC Fan	HB 3 A
F49	LCM4	AA 0 B
F49	LCM4	GB 3 B
F50	LECM2 Fuses FB6, FB8	AA 0 B
F50	LECM2 Fuses FB6, FB8	HB 2 A
F51	Climate Control, AC Blower Batt.	AA 0 B
F51	Climate Control, AC Blower Batt.	HA 0 A
F52	LVD Sense/ Qualcomm/ Mobile Max 2	AA 0 B
F52	LVD Sense/ Qualcomm/ Mobile Max 2	BE 2 A
F52	LVD Sense/ Qualcomm/ Mobile Max 2	BG 0 A

COMPONENT	DESCRIPTION	PAGE
F53	Central Locks Batt.	AA 1 B
F53	Central Locks Batt.	IF 2 A
F54	ABS 1.	AA 1 B
F54	ABS 1.	EA 2 A
F54	ABS 1.	EC 2 A
F54	ABS 1.	EG 2 A
F55	FUSE, BENDIX FUSION	AA 1 B
F55	FUSE, BENDIX FUSION	JH 0 A
F56	FUSE, METHANE DETECT	AA 2 E
F56	FUSE, METHANE DETECT	CM 0 A
F57	LDWS	AA 3 E
F57	LDWS	JG 2 A
F57	LDWS	JH 0 A
F58	LCM/LCP IGN./ Central Locks/ IGN.	AA 3 E
F58	LCM/LCP IGN./ Central Locks/ IGN.	GA 1 A
F59	Volvo Link/ Qualcomm IGN./Mobile Max 2	AA 3 E
F59	Volvo Link/ Qualcomm IGN./Mobile Max 2	BE 2 A
F59	Volvo Link/ Qualcomm IGN./Mobile Max 2	BG 0 A
F60	LECM IGN.	AA 3 E
F60	LECM IGN.	HB 3 A
F61	Road Relay Ign.	AA 4 E
F61	Road Relay Ign.	BC 1 A
F62	BACKUP LAMPS	AA 4 E
F62	BACKUP LAMPS	GK 3 A
F63	Lift Axle/ BB Reverse/ Susp. Dump/ Fifth	AA 3 D
F63	Lift Axle/ BB Reverse/ Susp. Dump/ Fifth	FC 1 A
F64	BB IGN-Y	AA 3 D
F64	BB IGN-Y	BH 1 A
F65	BB IGN-X	AA 3 D
F65	BB IGN-X	BH 0 A
F66	IGN. EXP/ Sec. Instrument	AA 3 D
F66	IGN. EXP/ Sec. Instrument	BD 2 A
F67	VORAD/ ECS/ACC	AA 4 D
F67	VORAD/ ECS/ACC	EB 3 A
F67	VORAD/ ECS/ACC	EH 3 A
F67	VORAD/ ECS/ACC	JE 0 A
F68	I SHIFT GECU	AA 4 D
F68	I SHIFT GECU	DA 1 B
F69	ISHIFT TECU	AA 4 D
F69	ISHIFT TECU	DA 0 B
F76	Not Used	AA 0 D
F77	12V Power Outlets, Dash	AA 0 D
F77	12V Power Outlets, Dash	IG 0 A
F78	Dome/ Door Lamps	AA 1 D
F78	Dome/ Door Lamps	IA 2 A
F79	CB Power Studs	AA 1 D
F79	CB Power Studs	IG 2 A
F80	12V Socket, D.S. Cab, Sleeper	AA 1 D
F80	12V Socket, D.S. Cab, Sleeper	IG 4 A
F81	Auxiliary Switches 1 / 2	AA 1 D

COMPONENTS

COMPONENT	DESCRIPTION	PAGE
F81	Auxiliary Switches 1 / 2	NA 1 A
F82	12V Power Overhead	AA 2 D
F82	12V Power Overhead	IG 2 A
F90	FUSE SINK PUMP	HE 0 C
F90	FUSE SINK PUMP	HH 0 C
FB03	FUSE, BAT. POWER OMNIVISION	BE 3 B
FB8	FUSE REMOTE SENSE ALT.	AM 4 C
FB08	FUSE METHANE DETECTION	CM 4 C
FB09	FUSE INVERTER	HI 1 B
FE1	TRAILER STOP RELAY	AC 0 B
FE1	TRAILER STOP RELAY	MA 1 A
FE2	RELAY TRAILER CLEARANCE	AC 1 B
FE2	RELAY TRAILER CLEARANCE	MA 1 A
FE3	RELAY TRAILER MARKER	AC 1 B
FE3	RELAY TRAILER MARKER	MA 2 A
FE4	EMS MAIN VOLVO/ CUMMINS	AC 2 C
FE4	EMS MAIN VOLVO/ CUMMINS	AG 2 A
FE5	ACM EMS	AC 2 C
FE5	ACM EMS	AG 3 A
FE5	ACM EMS	BP 2 A
FE6	VECU/ WATER IN FUEL SW/ ENG. BRAKE	AC 2 C
FE6	VECU/ WATER IN FUEL SW/ ENG. BRAKE	AG 0 A
FE7	BODY BUILDER MODULE	AC 2 C
FE7	BODY BUILDER MODULE	AG 0 A
FE8	EMS COM 1	AC 3 C
FE8	EMS COM 1	AG 3 A
FE8	EMS COM 1	CL 3 A
FE9	EMS COMP 2	AC 3 C
FE9	EMS COMP 2	AG 4 A
FE9	EMS COMP 2	CL 3 A
FE10	TRAILER AUX/ABS	AC 3 C
FE10	TRAILER AUX/ABS	MA 3 A
FE11	ABS IGN	AC 3 C
FE11	ABS IGN	EA 2 A
FE11	ABS IGN	EC 2 A
FE11	ABS IGN	EG 2 A
FE12	FUEL HEAT	AC 3 C
FE12	FUEL HEAT	CE 2 A
FE13	AIR DRYER	AC 4 C
FE13	AIR DRYER	FA 2 A
FE14	TPM	AC 4 C
FE14	TPM	FG 0 A
FE15	LNG FAN	AC 4 C
FE16	FAN FUEL COOLER	AC 4 C
FE17	CES/ SPARE	AD 0 B
FE17	CES/ SPARE	CP 3 A
FE18	CUMMINS ISX/ ISX-G	AD 0 B
FE18	CUMMINS ISX/ ISX-G	CC 1 A
FE18	CUMMINS ISX/ ISX-G	CL 3 A
FE19	AUTO TRANS: ALLISON/ EATON	AD 1 B

COMPONENT	DESCRIPTION	PAGE
FE19	AUTO TRANS: ALLISON/ EATON	DB 4 A
FE19	AUTO TRANS: ALLISON/ EATON	DF 0 A
FE20	TRAILER LEFT TURN	AD 1 B
FE20	TRAILER LEFT TURN	MA 3 B
FE21	TRAILER RIGHT TURN	AD 1 B
FE21	TRAILER RIGHT TURN	MA 3 B
FE22	FUSE CUMMINS ICM	AD 1 B
FE23	SPARE	AD 2 B
FE24	FUSE CUMMINS MAF	AD 2 B
FE25	UREA HEATED LINES	AD 0 B
FE25	UREA HEATED LINES	CD 1 A
FE25	UREA HEATED LINES	CP 1 A
FEM01	FUSE, MAIN POWER	AB 3 A
FEM02	FUSE, GROUND PROTECTION	AN 2 C
FEM03A	CIRCUIT BREAKER LIFT GATE	ND 2 D
FEM03B	CIRCUIT BREAKER LIFT GATE	ND 2 D
FEM04	150A MAIN CAB FUSE	AB 3 B
FM_A5	FUSE AUX AC	HJ 2 B
FT01	FUSE ACM	CK 0 B
FT02A	FUSE, CLUTCH, POWER	DB 0 D
FT03	FUSE DISCONNECT SWITCH	AM 3 D
FT04	FUSE DISCONNECT SOLENOID	AM 2 D
FT05	FUSE DCU	CC 3 B
FT05	FUSE DCU	CN 3 B
FT06	CUMMINS UREA PUMP	CN 3 A
G01	BATTERY	AB 4 B
G01	BATTERY	AE 1 D
G01	BATTERY	AF 2 C
G01	BATTERY	AL 0 D
G01	BATTERY	AM 1 D
G01	BATTERY	AN 0 D
G01	BATTERY	CC 4 A
G01	BATTERY	CK 0 A
G01	BATTERY	CM 4 C
G01	BATTERY	CN 4 A
G01	BATTERY	DB 0 E
G01	BATTERY	HI 2 B
G01	BATTERY	HJ 4 D
G01	BATTERY	ND 2 D
G01B	Battery Ring Battery 2	BL 2 B
G01C	Battery Ring Battery 3	BL 1 C
G01D	Battery 4	BL 1 D
G01E	BATTERY 1	BL 1 B
G01F	AUX BATTERY	HJ 2 C
G02	ALTERNATOR	AE 2 A
G02	ALTERNATOR	AF 2 C
G02	ALTERNATOR	AL 1 A
G02	ALTERNATOR	AM 1 D
G02	ALTERNATOR	AN 1 A
G03H	INVERTER 12VDC/120VAC	HI 0 B

0

1

2

3

4

COMPONENTS

COMPONENT	DESCRIPTION	PAGE
G03J	INVERTER DISPLAY	HI 0 C
G04	POWER DISTRIBUTION UNIT, 120VAC	HC 1 B
G04	POWER DISTRIBUTION UNIT, 120VAC	HI 2 B
G05A	12V, DASH POWER OUTLET	IG 0 C
G05E	12V SOCKET, RADIO SHELF	IG 2 C
G05F	12V DASH POWER OUTLET	IG 0 C
G06A	12V STUDS, CB DASH	IG 3 D
G06B	12V STUDS, CB OVERHEAD	IG 2 D
H02A	HORN DUAL TONE 1	GQ 1 D
H02A_S	CITY HORN SERVICE	GQ 4 E
H03	BACKUP ALARM	GF 3 D
H03	BACKUP ALARM	GK 1 E
H05	Buzzer	IA 3 C
H16	METHANE FUME DETECTOR	CM 2 B
H17	METHANE DETECTION STATUS	CM 2 B
L E10LED	LH LED TAIL LAMP	GF 0 C
M01	WINDSHIELD WIPER MOTOR	GP 2 D
M02	Motor, windscreen washer pump	GP 3 B
M04	MOTOR, STARTER	AE 1 B
M04	MOTOR, STARTER	AF 2 A
M04	MOTOR, STARTER	AL 0 B
M04	MOTOR, STARTER	AM 0 B
M04	MOTOR, STARTER	AN 0 B
M04A	MOTOR STARTER TC	AE 0 B
M04A	MOTOR STARTER TC	AF 3 A
M04B	MOTOR STARTER CUMMINS	AM 1 B
M06DS	Motor, Window Winder D.S.	IC 1 C
M06PS	Motor, Window Winder P.S.	IC 2 E
M18	MOTOR SINK PUMP	HE 0 D
M18	MOTOR SINK PUMP	HH 0 D
M20L	HEATED SEAT, LEFT	IB 1 D
M20R	HEATED SEAT, RIGHT	IB 2 D
M41	MOTOR PUMP UREA	CN 2 C
M55	Condensor Fan, Parking Cooler	HJ 0 D
M80L	Drivers Side Door Lock Control Assembly	IA 3 D
M80L	Drivers Side Door Lock Control Assembly	IF 1 D
M80LS	DRIVERS SIDE COURTESY LAMP SWITCH	IA 3 B
M80R	Passenger Side Door Lock Control Assembly	IA 3 D
M80R	Passenger Side Door Lock Control Assembly	IF 2 D
M110L	Mirror Motors & Heater, LHS	IC 0 B
M110L	Mirror Motors & Heater, LHS	IE 1 C
M110R	Mirror Motors & Heater, RHS	IC 3 B
M110R	Mirror Motors & Heater, RHS	IE 3 C
MCDE2	DIAGNOSTIC CONNECTOR	BG 3 D
OBD-II	ON-BOARD-DIAGNOSTICS VENDEND	XF 3 D
R01A	Heater Engine Preheat 110V	CA 2 D
R05A	AIR DRYER	FA 3 C
R05C	AIR DRYER	FA 3 C
R08A	TERMINATION RESISTOR	CC 0 B
R08A	TERMINATION RESISTOR	CN 0 B

COMPONENT	DESCRIPTION	PAGE
R08B	TERMINATING RESISTOR	EB 0 A
R08B	TERMINATING RESISTOR	EH 0 A
R08C	TERMINATING RESISTOR	XB 0 C
R08E	RESISTOR J1939 TERMINATION	JG 2 C
R08E	RESISTOR J1939 TERMINATION	JH 1 E
R08F	TERMINATION RESISTOR, CAN-BUS	BC 2 D
R08G	TERMINATING RESISTOR	BE 3 C
R08H	TERMINATING RESISTOR CAN 7	KH 3 B
R08H	TERMINATING RESISTOR CAN 7	XC 2 C
R08I	TERMINATING RESISTOR	CD 2 B
R08I	TERMINATING RESISTOR	CP 2 B
R08M	TERMINATING RESISTOR CAN-BUS	XA 0 C
R08N	TERMINATING RESISTOR, CAN-BUS	BI 3 B
R08N	TERMINATING RESISTOR, CAN-BUS	BM 3 A
R09	Heater, fuel filter	CE 2 C
R09B	HEATER, FUEL FILTER	CE 2 C
R15	Windscreen heater	IB 4 D
R18A	HEATER DRAIN VALVE	FA 0 C
R18B	HEATER DRAIN VALVE	FA 1 C
R21	Termination resistor	XA 0 B
R21	Termination resistor	XF 3 C
R21_TGW	TERMINATING RESISTOR TGW OVERLAY	BJ 2 B
R21A	TERMINATING RESISTOR DL10	XF 2 D
R21B	TERMINATING RESISTOR DL10	XF 1 C
R29	Heater, NOxCare tank to pump hose	CD 1 C
R29	Heater, NOxCare tank to pump hose	CK 4 D
R29	Heater, NOxCare tank to pump hose	CP 1 C
R30	HEATER, BACKFLOW HOSE	CD 2 C
R30	HEATER, BACKFLOW HOSE	CP 2 C
R31	Heater, NOxCare pump to injector hose	CD 1 C
R31	Heater, NOxCare pump to injector hose	CK 3 E
R31	Heater, NOxCare pump to injector hose	CP 1 C
R E10LED	RH LED TAIL LAMP	GF 1 C
RE01	RELAY TRAILER STOP	AC 0 C
RE01	RELAY TRAILER STOP	MA 0 B
RE02	RELAY TRAILER CLEARANCE	AC 1 C
RE02	RELAY TRAILER CLEARANCE	MA 1 B
RE03	RELAY TRAILER MARKER	AC 1 C
RE03	RELAY TRAILER MARKER	MA 2 B
RE04	EFRC RELAY, EMS	AC 2 C
RE04	EFRC RELAY, EMS	AG 1 B
RE05	EFRC RELAY, IGN	AC 3 C
RE06	RELAY CAND CONDITIONER	AD 2 B
RE06	RELAY CAND CONDITIONER	BP 3 B
RE07	VOLVO FUEL COOLER CUMMINS DEF MODE	AD 3 B
RE07	VOLVO FUEL COOLER CUMMINS DEF MODE	BP 1 B
RE07	VOLVO FUEL COOLER CUMMINS DEF MODE	CC 1 B
RE07	VOLVO FUEL COOLER CUMMINS DEF MODE	CN 1 B
RE08	CES	AD 2 D
RE08	CES	CP 3 B

0

1

2

3

4

COMPONENTS

COMPONENT	DESCRIPTION	PAGE
RE09	UREA HEATER TANK TO PUMP	AD 0 D
RE09	UREA HEATER TANK TO PUMP	CD 1 B
RE09	UREA HEATER TANK TO PUMP	CP 1 B
RE10	UREA HEATER PUMP TO INJ.	AD 1 D
RE10	UREA HEATER PUMP TO INJ.	CD 1 B
RE10	UREA HEATER PUMP TO INJ.	CP 1 B
RE11	UREA HEATER BACKFLOW	AD 1 D
RE11	UREA HEATER BACKFLOW	CD 2 B
RE11	UREA HEATER BACKFLOW	CP 2 B
S01	Switch, main lighting, selector type	GA 1 C
S02	Stalk Switch, Full-Dipped Beams/ Cruise	AH 2 B
S02	Stalk Switch, Full-Dipped Beams/ Cruise	GA 2 B
S04	SWITCH, CLIMATE FAN SELECTOR TYPE	HB 0 B
S05	SWITCH, INTERIOR LIGHTING	HD 0 B
S05	SWITCH, INTERIOR LIGHTING	HE 2 D
S05	SWITCH, INTERIOR LIGHTING	HH 2 D
S06	SWITCHES, WINDSHIELD WIPER/CLUSTER STALK	BA 1 C
S06	SWITCHES, WINDSHIELD WIPER/CLUSTER STALK	GP 0 C
S07	SWITCH, ENGINE BRAKE SELECTOR TYPE	AJ 3 D
S07B	SWITCH, ENGINE BRAKE ON/OFF	AJ 2 B
S08	SWITCH, DIFFERENTIAL GEAR LOCK, INTERWHEEL	FD 1 B
S09	SWITCH, DIFFERENTIAL GEAR LOCKS, INTERAXLE	FD 2 B
S11A	SWITCH, LIFT AXLE	FB 0 C
S11B	SWITCH, LIFT AXLE	FB 1 C
S11C	SWITCH, LIFT AXLE	FB 2 C
S11D	SWITCH, AIR SUSPENSION MANUAL CONTROL ON/OFF	EB 2 D
S11D	SWITCH, AIR SUSPENSION MANUAL CONTROL ON/OFF	EH 2 D
S11E	SWITCH, SUSP. CTRL. UP/DOWN	EB 3 D
S11E	SWITCH, SUSP. CTRL. UP/DOWN	EH 3 D
S11F	LOAD DISTRIBUTION SWITCH	EH 3 B
S12	SWITCH, SNOWPLOW LAMP	GI 2 B
S14A	Switch, City Horn/Air Horn	GQ 1 C
S15	SWITCH, IGNITION	AB 1 B
S24	SWITCH, STALK, ENGINE BRAKE	AJ 2 D
S24A	STALK SWITCH, RETARDER, ALLISON	DE 4 D
S24C	SWITCH, ON/OFF RETARDER, ALLISON	DE 4 C
S24D	SWITCH STALK ENGINE BRAKE	AJ 1 D
S28A	SWITCH, PTO (POWER TAKE-OFF)	DP 2 C
S28B	SWITCH, PTO (POWER TAKE-OFF)	DP 3 C
S28C	SWITCH, PTO (POWER TAKE-OFF)	DP 4 C
S28J	SWITCH, DUAL PTO ISHIFT	BI 2 B
S28J	SWITCH, DUAL PTO ISHIFT	BM 2 B
S31	Switch, TCS (Traction Control System)	EA 3 B
S31	Switch, TCS (Traction Control System)	EG 4 B
S31	Switch, TCS (Traction Control System)	EG 3 B
S41	Switch, battery main switch control	AM 2 C
S43	PRESSURE SWITCH, PARKING BRAKE INDICATOR, N.C.	AH 4 D
S43A	SWITCH, PRESSURE PARK BRAKE, N.C.	DF 2 E
S43B	PRESSURE SWITCH, PARK BRAKE N.C.	DB 2 D
S43C	TRAILER PARK DETECTION SWITCH, N.C.	GA 3 B

COMPONENT	DESCRIPTION	PAGE
S45BA	EATON	BB 2 B
S45BB	VOLVO	BB 1 B
S45BC	ROCKWELL	BB 2 B
S047	SW. IWDL FRONT ENGAGED	BB 3 B
S047A	SW. IWDL 3RD AXLE. ENGAGED	BB 3 B
S48	Pressure switch, brake light, NO.	GB 3 D
S48A	PRESSURE, SWITCH SERVICE BRAKE N.C.	AI 3 E
S048B	SW. IWDL REAR-REAR ENGAGED	BB 4 B
S49	Position switch, reverse lamps, NO.	GK 2 B
S58	Position Switch, Clutch Pedal	AI 3 B
S59	Position switch, brake pedal, NO.	AI 3 C
S61A	Position Switch, Seat Belt Lock, NO	IB 0 D
S75	SWITCH, BEACON WARNING LIGHT	GJ 1 B
S76	SWITCH, SPOTLIGHTS	GG 1 C
S80	DOOR LOCK CONTROL MODULE	IF 1 B
S80D	Driver Side Door Control Panel	IC 2 B
S80P	Passenger Side Door Control Panel	IC 2 D
S87	SWITCH SINK/ FAUCET	HE 0 C
S87	SWITCH SINK/ FAUCET	HH 0 C
S88	SWITCH, 5th WHEEL SLIDE	FC 2 B
S89	Position switch, Hood tilt	BM 5 B
S93	SWITCH, SUSPENSION DUMP	FC 0 B
S97	SWITCH, INSIDE/OUTSIDE AIR CLEANER	CH 2 B
S101	Position switch, gear box neutral position	DB 1 C
S104	SWITCH, MARKER INTERRUPT	JD 2 C
S104A	SWITCH, AUX 1	NA 1 C
S104B	SWITCH, AUX 2	NA 2 C
S104C	SWITCH, AUX 3	NA 3 C
S104D	SWITCH, AUX 4	NA 4 C
S121	SWITCH, TOUCH LOCK	FF 1 C
S169	Switch, Battery Main	AB 4 A
S169	Switch, Battery Main	AF 2 B
S169	Switch, Battery Main	AM 1 C
S169	Switch, Battery Main	HI 2 B
S169A	SWITCH BATTERY BI-STABLE	AM 3 C
S171	SWITCH, GEAR LEVER I-SHIFT	DA 1 D
S171A	SWITCH GEAR LEVER I-SHIFT PUSH BUTTON	DA 3 D
S171B	Solenoid, B 5th Wheel Release	FF 3 D
S202	Switch, LDWS, Lane Departure Warning Sys	JG 3 C
S202	Switch, LDWS, Lane Departure Warning Sys	JH 1 B
S212	SWITCH HILL ASSIST	EC 1 D
S212	SWITCH HILL ASSIST	EG 4 B
S223	SWITCH, ECO ROLL	AH 1 E
S234	Switch, Heated Windshield	IB 3 B
S316	SWITCH ENGINE START ENABLE REAR	BM 4 B
SK141A	SPLICE PACK, ILLUMINATION	DA 1 A
SK141A	SPLICE PACK, ILLUMINATION	DB 1 A
SK141A	SPLICE PACK, ILLUMINATION	DP 2 A
SK141A	SPLICE PACK, ILLUMINATION	EB 4 A
SK141A	SPLICE PACK, ILLUMINATION	EH 4 A

COMPONENTS

COMPONENT	DESCRIPTION	PAGE
SK141A	SPLICE PACK, ILLUMINATION	FB 0 A
SK141A	SPLICE PACK, ILLUMINATION	FC 0 A
SK141A	SPLICE PACK, ILLUMINATION	FD 1 A
SK141A	SPLICE PACK, ILLUMINATION	GB 0 A
SK141A	SPLICE PACK, ILLUMINATION	HB 0 A
SK141A	SPLICE PACK, ILLUMINATION	JD 2 A
SK141A	SPLICE PACK, ILLUMINATION	JH 1 A
SK141B	SPLICE PACK, ILLUMINATION	CH 2 A
SK141B	SPLICE PACK, ILLUMINATION	DE 4 A
SK141B	SPLICE PACK, ILLUMINATION	EA 3 A
SK141B	SPLICE PACK, ILLUMINATION	EC 3 A
SK141B	SPLICE PACK, ILLUMINATION	EG 3 A
SK141B	SPLICE PACK, ILLUMINATION	GB 1 A
SK141B	SPLICE PACK, ILLUMINATION	GI 2 A
TC01	J560 PLUG, 7 PIN	MA 0 D
TC02	J560 PLUG, 7 PIN	MA 2 D
TC03	J560 RECEPTACLE WITH QCS2, 7 PIN	MB 1 B
TC04	J560 PLUG, 7 PIN	MB 1 C
TC05	J560 PLUG, 7 PIN	MB 1 D
TC06	J560 PLUG, 7 PIN	MB 2 C
TC07	J560 PLUG, 7 PIN	MB 2 D
TC08	J560 RECEPTACLE WITH QCS2, 7 PIN	MB 0 D
U01	STUD, POWER 1	AA 1 A
U01	STUD, POWER 1	AB 3 B
U01	STUD, POWER 1	CD 1 A
U01	STUD, POWER 1	CP 1 A
U01	STUD, POWER 1	DB 1 C
V23	Diode, Water heater	CA 3 B
X11	Connector, Engine	CB 1 C
X11A	CONNECTORS CUMMINS ISX-G ENGINE INTERFACE	CL 1 C
X17A	Auxiliary Connector 1	NA 1 C
X17A1	CONNECTOR INTERNAL AUX SW POWER 1	NA 1 D
X17B	Auxiliary Connector 2	NA 2 C
X17B1	CONNECTOR INTERNAL AUX SW POWER 2	NA 2 D
X17C	Auxiliary Connector 3	NA 3 C
X17C1	CONNECTOR INTERNAL AUX SW POWER 3	NA 3 D
X17D	Auxiliary Connector 4	NA 4 C
X24	Socket, +12V Accessories power supply	IG 3 E
X62	Connector, Tail lift preparation	ND 2 A
X62A	CONNECTOR LIFT GATE	ND 2 A
X66	Connector, USB, Audio	KD 1 C
X67	Connector, AUX, Audio	KD 1 B
X87	Connector, Cummins Crossover (14 way)	CP 4 D
X89	Connector, Water-in-fuel Sensor	CD 0 C
X89	Connector, Water-in-fuel Sensor	CP 0 C
X147B	CONNECTOR RS232	JH 4 C
X192	CONNECTOR CUMMINS CES	CP 2 D
Y11	ABS VALVE LH 1ST AXLE	EA 1 B
Y11	ABS VALVE LH 1ST AXLE	EC 1 B
Y11	ABS VALVE LH 1ST AXLE	EG 1 B

COMPONENT	DESCRIPTION	PAGE
Y12	ABS VALVE RH 1ST AXLE	EA 0 B
Y12	ABS VALVE RH 1ST AXLE	EC 0 B
Y12	ABS VALVE RH 1ST AXLE	EG 0 B
Y13	ABS VALVE LH 2ND AXLE	EA 2 D
Y13	ABS VALVE LH 2ND AXLE	EC 1 B
Y13	ABS VALVE LH 2ND AXLE	EG 1 B
Y14	ABS VALVE RH 2ND AXLE	EA 1 D
Y14	ABS VALVE RH 2ND AXLE	EC 0 E
Y14	ABS VALVE RH 2ND AXLE	EG 0 E
Y15	ABS VALVE LH 3RD AXLE	EA 4 D
Y15	ABS VALVE LH 3RD AXLE	EC 2 D
Y15	ABS VALVE LH 3RD AXLE	EG 2 E
Y16	ABS VALVE RH 3RD AXLE	EA 3 D
Y16	ABS VALVE RH 3RD AXLE	EC 2 D
Y16	ABS VALVE RH 3RD AXLE	EG 2 E
Y18A	SOLENOID VALVE, SINGLE PTO	DP 1 D
Y18B	SOLENOID VALVE, DUAL PTO ENGINE MOUNTED	DP 4 D
Y18G	SOLENOID TRANS. PTO 1	DA 3 B
Y18G	SOLENOID TRANS. PTO 1	DP 0 D
Y18H	SOLENOID TRANS PTO 2	DA 3 B
Y18H	SOLENOID TRANS PTO 2	DP 0 C
Y25A	SOLENOID, LEVEL CONTROL DRIVE AXLES	EB 1 B
Y25A	SOLENOID, LEVEL CONTROL DRIVE AXLES	EH 1 A
Y29A	SOLENOID, LEVEL CONTROL AUX. AXLE	EB 2 B
Y29A	SOLENOID, LEVEL CONTROL AUX. AXLE	EH 2 A
Y35	Solenoid, Engine Fan	CB 2 B
Y35	Solenoid, Engine Fan	CC 0 A
Y35	Solenoid, Engine Fan	CL 3 E
Y35	Solenoid, Engine Fan	CN 1 A
Y35A	SOLENOID ENGINE FAN	CC 1 B
Y35A	SOLENOID ENGINE FAN	CN 1 B
Y35E	SOLENOID, ENGINE FAN E-VISCO	CL 3 D
Y42	Clutch, magnetic, air conditioning compr	HA 1 D
Y51	Solenoid valve, Air dryer	FA 4 C
Y53	SOLENOID, ETHER START	CA 0 C
Y57	SOLENOID VALVE, TRAC CONTROL	EA 1 D
Y57	SOLENOID VALVE, TRAC CONTROL	EC 3 D
Y57	SOLENOID VALVE, TRAC CONTROL	EG 3 D
Y57A	SOLENOID VALVE, TRAC CONTROL ESP	ED 0 C
Y64	Solenoid, Retarder Air Accumulator	DE 1 B
Y80	Solenoid valve, AdBlue dosing unit	CK 3 B
Y80A	Solenoid valve, AdBlue dosing unit	CD 0 C
Y81	Solenoid valve, urea heating tank	CK 2 D
Y81A	Solenoid valve, urea heating tank	CD 1 C
Y81A	Solenoid valve, urea heating tank	CP 1 C
Y100	SOLENOID VALVE TRAILER ABS ESP	ED 4 C
Y106	SOLENOID HILL ASSIST BRAKE	EC 3 D
Y106	SOLENOID HILL ASSIST BRAKE	EG 3 D
Y110	SOLENOID VALVE, OIL THERMOSTAT	DA 4 C
Z01	VEHICLE DIAGNOSTICS	XA 0 B

0

1

2

3

4

COMPONENTS

COMPONENT	DESCRIPTION	PAGE
Z02	TRAILER CONNECTION, 7-POLE UNIT, 24N	MA 3 C
Z03A	BODY BUILDER CONNECTOR #1	BH 0 C
Z03AJ	BODYBUILDER CONNECTOR #1JPR	BN 0 B
Z03B	BODY BUILDER CONNECTOR #2	BH 2 B
Z03BJ	BODYBUILDER CONNECTOR #2JPR	BN 2 B
Z03C	BODY BUILDER CONNECTOR #3	BI 1 D
Z03C	BODY BUILDER CONNECTOR #3	BM 2 D
Z03D	BODY BUILDER CONNECTOR #4	BI 3 D
Z03D	BODY BUILDER CONNECTOR #4	BM 4 D
Z04	BODY BUILDER CAMERA PREP	BH 1 B
Z05	Solenoid Pack	CH 3 D
Z05	Solenoid Pack	FB 1 D
Z05	Solenoid Pack	FC 3 D
Z05	Solenoid Pack	FD 2 D
Z05	Solenoid Pack	FF 1 D
Z05	Solenoid Pack	GQ 2 C
Z06	STEERING WHEEL CONTACT REEL	BB 1 E
Z06	STEERING WHEEL CONTACT REEL	GA 3 B
Z06	STEERING WHEEL CONTACT REEL	JA 1 D

COMPONENT	DESCRIPTION	PAGE
Z08	CONNECTOR, ROAD RELAY	BC 0 C
Z10	ONBOARD DIAGNOSTIC CONNECTOR VENDOR ENGIN XF 2 D	
Z10CA	OPTION CONNECTOR A, CAB SIDE	BH 2 D
Z10CB	OPTION CONNECTOR B, CAB SIDE	BH 3 D
Z10FA	OPTION CONNECTOR A, CHASSIS SIDE	BH 2 D
Z10FB	OPTION CONNECTOR B, CHASSIS SIDE	BH 3 D
Z13	OPTION CONNECTOR, SNOWFLOW LIGHTS	GI 1 D
Z15	CONNECTOR, BODYBUILDER - CAB SIDE	BH 1 E
Z16	CONNECTOR, BODYBUILDER	BH 1 D
Z17	RECEPTACLE, 120VAC	HC 1 D
Z17	RECEPTACLE, 120VAC	HI 2 D
Z18	RECEPTACLE, D.S. CABINET	HC 1 D
Z18	RECEPTACLE, D.S. CABINET	HI 3 C
Z19	RECEPTACLE, P.S. CABINET	HC 2 D
Z19	RECEPTACLE, P.S. CABINET	HI 3 C
Z20	RECEPTACLE, UNDER BUNK/ TABLE	HC 2 D
Z20	RECEPTACLE, UNDER BUNK/ TABLE	HI 4 C
Z21	QUALCOMM OMNIVISION PREP KIT	BE 2 C
Z23	CONNECTOR TGW2 PROGRAM	BJ 2 A

VOLVO Group Trucks Technology

Document title
12V SCHEMATIC VOLVO

Document type
PRODUCT SCHEMATIC

Document No

21849527

Issue

09

Volume

2 (2)

Page

16 (43)

0

1

2

3

4

INLINES

INLINE	PAGE
12V0B H2:A	HD 1 D
12V0B H2:B	HD 1 C
12V0B H4:A	HD 1 D
12V0B H4:B	HD 1 C
12VRF:A	IG 4 D
12VRF:A	IG 4 E
12VRF:B	IG 3 D
12VRF:B	IG 3 E
12VSL:A	HE 1 D
12VSL:A	HH 2 C
12VSL:B	HE 1 B
12VSL:B	HH 2 B
AUXAC:A	HD 1 C
AUXAC:B	HD 1 C
AXAX1:A	NA 1 B
AXAX1:A	NA 3 B
AXAX1:B	NA 1 C
AXAX1:B	NA 3 C
AXAX:A	NA 1 B
AXAX:A	NA 3 B
AXAX:B	NA 1 C
AXAX:B	NA 3 C
AXBWL:A	IH 1 B
AXBWL:B	IH 1 D
AXBWL:A	IH 1 B
AXBWL:B	IH 1 D
B1-1:2	BD 2 B
B1-2:1	BC 0 D
B1-2:2	BC 1 B
B1-3:1	BG 4 C
B1-3:1	GC 3 B
B1-3:2	BG 4 C
B1-3:2	GC 2 B
B1-4:1	FF 1 D
B1-4:1	IB 3 B
B1-4:2	FF 1 B
B1-4:2	IB 3 B
B1-5:2	BC 1 B
B1-5:2	BG 4 C
B1-6:2	BD 2 B
B3:R16 30	AH 2 B
B3:R16 85	AH 2 C
B3:R16 86	AH 2 B
B3:R16 87	AH 2 C
B3:R17 30	AH 2 B
B3:R17 85	AH 3 B
B3:R17 86	AH 3 B
B3:R17 87	AH 2 B
B25JMP:1	AI 1 D
B25JMP:3	AI 1 D

INLINE	PAGE
B25JMP:4	AI 1 D
B25JMP:5	AI 1 D
B25JMP:6	AI 1 D
B50.B:1	ED 2 D
B50.B:2	ED 1 D
B50.B:3	ED 2 D
B50.B:4	ED 2 D
BFBR:A	IH 2 B
BFBR:B	IH 2 C
BFORF1:A	JH 1 B
BFORF1:B	JH 0 C
BFORF1:C	JH 2 C
BFORF1:D	JH 2 D
BFORF1:E	JH 2 D
BFORF1:F	JH 3 C
BFORF1:G	JH 3 C
BFORF1:H	JH 2 D
BFORF2:A	JH 3 D
BFORF2:B	JH 2 D
BFORF2:C	JH 2 D
BFORF2:D	JH 2 E
BFORF2:E	JH 2 E
BFORF2:F	JH 2 E
BFORF2:G	JH 3 D
BFORF2:H	JH 3 D
BFORF2:J	JH 3 D
BWBR:A	IH 1 B
BWBR:B	IH 1 C
CAMC:A	JF 3 C
CAMC:B	EB 3 B
CAMC:B	EH 3 B
CAMC:B	JE 0 B
CAMC:B	JE 3 B
CETE:A	GK 1 C
CETE:B	GF 0 B
CETE:C	GF 0 B
CETE:D	GF 0 B
CETE:E	GF 1 B
CETL:A	GF 3 A
CETL:A	GF 3 C
CETL:A	GK 1 D
CETL:A	GK 1 D
CETL:B	GF 1 B
CETL:B	GF 1 B
CETL:B	GF 3 A
CETL:B	GF 3 C
CETL:C	GF 0 B
CETL:C	GF 0 B
CETL:C	GF 3 A
CETL:C	GF 3 A
CETL:C	GF 3 C

INLINE	PAGE
CETL:D	GF 1 B
CETL:D	GF 1 B
CETL:D	GF 3 A
CETL:D	GF 4 C
CETL:E	GF 1 B
CETL:E	GF 1 B
CETL:E	GF 4 A
CETL:E	GF 2 C
CLTR:A	DB 1 D
CLTR:B	DB 0 D
DLJ1:1	XB 0 D
DLJ1:2	XB 0 D
DLJ2:1	XB 0 D
DLJ2:2	XB 0 D
DSFC:A	BB 3 E
DSFC:B	BB 2 C
DSFC:C	BB 3 E
DSFC:D	BB 2 C
DSFC:E	BB 3 D
DSFC:F	BB 3 D
DSFC:J	BB 2 C
DVAD:A	FA 1 D
DVAD:B	FA 1 B
DVDV:A	FA 1 D
DVDV:B	FA 1 C
EFRC.A1:1	AC 1 D
EFRC.A1:1	MA 1 B
EFRC.A1:1	MA 1 C
EFRC.A1:1	MA 2 C
EFRC.A1:1	MB 0 A
EFRC.A1:1	MB 1 B
EFRC.A1:1	MC 2 C
EFRC.A1:2	AC 1 D
EFRC.A1:2	MA 2 B
EFRC.A1:2	MA 1 C
EFRC.A1:2	MA 2 C
EFRC.A1:2	MB 0 A
EFRC.A1:2	MB 1 B
EFRC.A1:2	MC 2 C
EFRC.A1:3	AC 0 D
EFRC.A1:3	MA 1 B
EFRC.A1:3	MA 1 C
EFRC.A1:3	MA 2 C
EFRC.A1:3	MB 0 A
EFRC.A1:3	MB 1 B
EFRC.A1:3	MC 2 C
EFRC.A2:A	AD 1 C
EFRC.A2:A	MA 3 C
EFRC.A2:A	MA 1 C
EFRC.A2:A	MA 2 C

INLINE	PAGE
EFRC.A2:A	MB 1 A
EFRC.A2:A	MB 2 B
EFRC.A2:A	MC 2 D
EFRC.A2:B	AD 1 C
EFRC.A2:B	MA 3 C
EFRC.A2:B	MA 1 C
EFRC.A2:B	MA 2 C
EFRC.A2:B	MB 0 A
EFRC.A2:B	MB 2 B
EFRC.A2:B	MC 2 D
EFRC.A2:C	AC 3 D
EFRC.A2:C	MA 3 B
EFRC.A2:C	MA 1 C
EFRC.A2:C	MA 2 C
EFRC.A2:C	MB 0 A
EFRC.A2:C	MB 2 B
EFRC.A2:C	MC 2 C
EFRC.A2:C	AD 1 C
EFRC.B1:A	DB 4 B
EFRC.B1:A	DF 0 A
EFRC.B1:B	AD 0 C
EFRC.B1:B	CC 1 A
EFRC.B1:B	CL 3 A
EFRC.B2:A	AC 2 D
EFRC.B2:A	AG 4 B
EFRC.B2:B	AC 2 D
EFRC.B2:B	AG 2 B
EFRC.C1:A	AD 2 B
EFRC.C1:A	AD 0 E
EFRC.C1:A	CD 1 B
EFRC.C1:A	CP 1 B
EFRC.C1:B	AD 2 C
EFRC.C1:B	AD 0 E
EFRC.C1:B	CD 1 B
EFRC.C1:B	CP 1 B
EFRC.C1:C	AD 1 C
EFRC.C1:C	AD 1 E
EFRC.C1:C	CD 1 B
EFRC.C1:C	CP 1 B
EFRC.C1:D	AD 1 B
EFRC.C1:D	AD 0 E
EFRC.C1:D	CD 1 B
EFRC.C1:D	CP 1 B
EFRC.C1:E	AD 2 B
EFRC.C1:E	AD 1 E
EFRC.C1:E	CD 2 B
EFRC.C1:F	AD 2 C
EFRC.C1:F	AD 1 E
EFRC.C1:F	CD 2 B

INLINE	PAGE
EFRC.C1:F	CP 2 B
EFRC.C3:A	AD 2 C
EFRC.C3:A	BP 3 B
EFRC.C3:C	AD 2 B
EFRC.C3:C	BP 3 B
EFRC.C3:D	AD 2 C
EFRC.C3:D	BP 3 B
EFRC.C3:E	AD 3 C
EFRC.C3:F	AD 2 B
EFRC.C3:F	BP 3 B
EFRC.C4:A	AD 3 C
EFRC.C4:A	CC 1 B
EFRC.C4:A	CN 1 B
EFRC.C4:C	AD 3 B
EFRC.C4:C	BP 1 B
EFRC.C4:C	CN 1 B
EFRC.C4:D	AD 3 C
EFRC.C4:D	BP 1 B
EFRC.C4:D	CC 1 B
EFRC.C4:D	CN 2 B
EFRC.C4:E	AD 3 C
EFRC.C4:E	BP 1 B
EFRC.C4:F	AD 3 B
EFRC.C4:F	BP 1 B
EFRC.C4:F	CC 1 B
EFRC.C4:F	CN 2 B
EFRC.D1:A	AD 1 B
EFRC.D1:A	MA 3 B
EFRC.D1:B	AC 2 B
EFRC.D1:B	AG 1 B
EFRC.D1:C	AC 2 B
EFRC.D1:D	AC 1 B
EFRC.D1:D	MA 1 B
EFRC.D1:E	AC 1 B
EFRC.D1:E	MA 2 B
EFRC.D1:F	AC 0 D
EFRC.D1:F	AD 1 B
EFRC.D1:G	MA 3 B
EFRC.D1:H	AC 2 B
EFRC.D1:H	AD 3 D
EFRC.D1:H	AG 1 B
EFRC.D1:J	AC 2 B
EFRC.D1:J	AD 3 E
EFRC.D1:K	AD 3 E
EFRC.D1:L	AC 0 B
EFRC.D1:L	MA 0 B
EFRC.D1:M	AD 0 C
EFRC.D1:M	AD 3 E
EFRC.D2:A	AC 2 D

INLINE	PAGE
EFRC.D2:A	AG 3 B
EFRC.D2:A	BP 2 B
EFRC.D2:B	AC 4 D
EFRC.D2:C	AC 4 D
EFRC.D2:D	AC 3 D
EFRC.D2:D	EA 2 A
EFRC.D2:D	EC 2 A
EFRC.D2:D	EG 2 B
EFRC.D2:E	AD 2 E
EFRC.D2:E	CP 3 B
EFRC.D2:F	AC 4 D
EFRC.D2:F	FA 2 A
EFRC.D2:G	AC 3 D
EFRC.D2:G	CE 2 B
EFRC.D2:H	AC 2 D
EFRC.D2:H	AG 0 B
EFRC.D2:J	AC 2 D
EFRC.D2:J	AG 0 B
EFRC.D2:K	AD 0 C
EFRC.D2:K	AD 2 E
EFRC.D2:K	CP 3 B
EFRC.D2:L	AC 3 D
EFRC.D2:L	AG 3 B
EFRC.D2:M	AC 3 D
EFRC.D2:M	AG 4 B
EFRC.D2:M	CL 3 A
EFRC.D2:N	AC 4 D
EFRC.D2:N	FG 0 A
EFRC.D2:N	FG 1 A
EFRC.D2:N	FG 2 A
EFRC EXT:A	AD 4 E
EFRC EXT:B	AD 4 E
EFRC EXT:C	AD 4 E
EFRC EXT:D	AD 4 E
EFRC EXT:E	AD 4 E
EFRC EXT:F	AD 4 E
EFRC EXT C1:A	AD 4 C
EFRC EXT C1:B	AD 4 C
EFRC EXT C1:C	AD 4 C
EFRC EXT C1:D	AD 4 C
EFRC EXT C1:E	AD 4 C
EFRC EXT C1:F	AD 4 C
EICFC:1	CK 4 C
EICFC:2	CK 4 C
EICFC:3	CK 4 C
EICFC:4	CK 4 C
EICFC:5	CK 4 C
EICFC:6	CK 4 C
EICFC:7	CK 4 C

0

1

2

3

4

INLINES

INLINE	PAGE
EICFC:8	CK 4 C
EICFC:9	CK 4 C
EICFC:10	CK 4 C
EICFC:11	CK 4 C
EICFC:12	CK 4 C
EICFC:13	CK 4 C
EICFC:14	CK 4 C
EICFC:15	CK 4 C
FCAD:A	FA 0 D
FCAD:A	FA 3 D
FCAD:A	FA 3 D
FCAD:A	FA 1 D
FCAD:B	FA 1 B
FCAD:B	FA 3 B
FCAD:B	FA 3 B
FCAD:B	FA 1 B
FCAR:A	BB 0 C
FCAR:B	BB 0 B
FCAX1:A	NA 1 E
FCAX2:A	NA 1 E
FCAX3:A	NA 3 E
FCCA:V:A	JE 0 C
FCCA:V:A	JE 3 C
FCCA:V:B	JF 2 B
FCCA:V:C	JF 2 B
FCCA:V:D	JF 2 B
FCCE1:1	GK 4 C
FCCE1:1	GK 2 C
FCCE1:1	GK 1 C
FCCE1:1	GK 1 C
FCCE1:2	GF 1 B
FCCE1:4	EA 3 D
FCCE1:4	EC 2 D
FCCE1:4	EG 2 D
FCCE1:5	EA 3 D
FCCE1:5	EC 2 D
FCCE1:5	EG 2 D
FCCE1:5	EG 2 D
FCCE1:6	EA 3 D
FCCE1:6	EC 2 D
FCCE1:6	EG 2 D
FCCE1:7	EA 3 D
FCCE1:7	EC 2 D
FCCE1:7	EG 2 D
FCCE1:7	EG 2 D
FCCE1:8	EA 3 D
FCCE1:8	EC 2 D
FCCE1:8	BG 3 D
FCCE1:12	GF 1 B
FCCE1:13	GF 1 B
FCCE1:14	GF 1 B
FCCE1:15	BB 2 D

INLINE	PAGE
FCCE1:16	BA 4 B
FCCE1:17	BA 3 B
FCCE1:18	EA 1 D
FCCE1:18	EC 4 D
FCCE1:18	EG 4 D
FCCE1:19	EA 1 D
FCCE1:19	EC 4 D
FCCE1:19	EG 4 D
FCCE1:20	EA 1 D
FCCE1:20	EC 0 D
FCCE1:20	EG 0 D
FCCE1:21	EA 1 D
FCCE1:21	EC 0 D
FCCE1:21	EG 0 D
FCCE1:22	EA 1 D
FCCE1:22	EC 0 D
FCCE1:22	EG 0 D
FCCE1:23	BA 4 B
FCCE2:3	EA 2 D
FCCE2:3	EC 1 D
FCCE2:3	EG 1 D
FCCE2:4	EA 2 D
FCCE2:4	EC 1 D
FCCE2:4	EG 1 D
FCCE2:5	EA 4 D
FCCE2:5	EC 2 D
FCCE2:5	EG 2 D
FCCE2:6	EA 3 D
FCCE2:6	EC 2 D
FCCE2:6	EG 2 D
FCCE2:7	EA 4 D
FCCE2:7	EC 2 D
FCCE2:7	EG 2 D
FCCE2:12	GF 0 B
FCCE2:13	EA 1 D
FCCE2:13	EC 3 D
FCCE2:13	EG 3 D
FCCE2:14	EA 1 D
FCCE2:14	EC 3 D
FCCE2:14	EG 3 D
FCCE2:16	BB 2 C
FCCE2:17	BB 2 C
FCCE2:18	EA 0 D
FCCE2:18	EC 0 B
FCCE2:18	EG 0 B
FCCE2:19	EA 0 D
FCCE2:19	EC 0 B
FCCE2:19	EG 0 B
FCCE2:20	EA 2 D
FCCE2:20	EC 1 B

INLINE	PAGE
FCCE2:20	EG 1 B
FCCE2:21	EA 2 D
FCCE2:21	EC 1 B
FCCE2:21	EG 1 B
FCCE2:22	EA 2 D
FCCE2:22	EC 1 B
FCCE2:22	EG 1 B
FCCL:A	CB 2 D
FCCL:B	CB 2 D
FCCL:C	BA 3 B
FCCL:D	BA 2 A
FCDV:A	FA 0 D
FCDV:B	FA 1 B
FCECS:1	EB 1 B
FCECS:1	EH 1 B
FCECS:3	EB 1 B
FCECS:3	EH 1 B
FCECS:4	EB 2 B
FCECS:4	EH 2 B
FCECS:5	EH 2 B
FCECS:6	EB 2 B
FCECS:6	EH 2 B
FCECS:7	EB 2 D
FCECS:7	EH 2 D
FCECS:8	EB 2 D
FCECS:8	EH 2 D
FCECS:9	EB 2 D
FCECS:9	EH 2 D
FCEGO:A	CL 2 B
FCEGO:B	CL 1 D
FCEGO:C	CL 1 D
FCEGO:D	CL 2 D
FCEGO:E	CL 1 D
FCEGO:F	CL 1 D
FCEGO:G	CL 1 D
FCEGO:H	CL 1 D
FCEIC2:1	CK 4 C
FCEIC2:2	CK 4 C
FCEIC2:3	CK 4 C
FCEIC2:4	CK 4 C
FCEIC2:5	CK 4 C
FCEIC2:6	CK 4 C
FCEIC2:7	CK 4 C
FCEIC2:8	CK 4 C
FCEIC2:9	CK 4 C
FCEIC2:10	CK 4 C
FCEIC2:11	CK 4 C
FCEIC2:12	CK 4 C
FCEIC2:13	CK 4 C
FCEIC2:14	CK 4 C

INLINE	PAGE
FCEIC2:15	CK 4 C
FCEIC:1	CK 1 B
FCEIC:2	CK 1 B
FCEIC:3	CK 2 B
FCEIC:4	CK 1 B
FCEIC:5	CK 1 B
FCEIC:6	CK 3 B
FCEIC:7	CK 0 D
FCEIC:8	CK 0 D
FCEIC:9	CK 3 C
FCEIC:10	CK 1 D
FCEIC:11	CK 1 D
FCEIC:12	CK 3 C
FCEIC:13	CK 1 D
FCEIC:14	CK 1 D
FCEIC:15	CK 1 D
FCEN:A	HA 1 C
FCEN:C	AF 0 B
FCEN:D	AF 2 C
FCES2:1	EB 2 B
FCES2:1	EH 2 B
FCES2:2	EB 2 B
FCES2:2	EH 2 B
FCES2:3	EB 2 B
FCES2:4	EB 1 A
FCES2:4	EH 1 A
FCES2:5	EB 1 B
FCES2:5	EH 1 B
FCES2:7	EB 1 B
FCES2:7	EH 1 B
FCES2:8	EB 2 D
FCES2:8	EH 2 D
FCES2:9	EB 2 D
FCES2:9	EH 2 D
FCES2:10	EB 2 D
FCES2:10	EH 2 D
FCFA2:1	JE 3 C
FCFA2:2	JE 3 C
FCFA3:1	JE 4 D
FCFA3:2	JE 4 D
FCFA:A	JE 1 C
FCFA:A	JE 3 C
FCFA:B	JE 1 C
FCFA:B	JE 3 C
FCFA:C	JE 0 D
FCFA:C	JE 3 D
FCFA:D	JE 1 D
FCFA:D	JE 4 D
FCFD1:A	GE 1 B
FCFD1:A	GE 2 B

INLINE	PAGE
FCFD1:B	GE 2 B
FCFD1:B	GE 3 B
FCFD1:C	GE 2 D
FCFD1:C	GE 3 D
FCFD1:C	GE 3 D
FCFS1:A	CC 0 C
FCFS1:A	CN 1 B
FCFS1:B	CC 0 C
FCFS1:B	CN 1 B
FCFS2:A	CC 0 B
FCFS2:A	CN 1 B
FCFS2:B	CC 0 B
FCFS2:B	CN 1 B
FCFS:A	CC 0 C
FCFS:A	CL 3 D
FCFS:A	CL 3 E
FCFS:A	CL 3 D
FCFS:B	CC 0 C
FCFS:B	CL 3 E
FCFS:B	CL 3 D
FCFS:B	CL 3 D
FCFS:B	CN 1 C
FCFUS2:1	JE 4 C
FCFUS2:2	JE 4 C
FCFUS:1	JE 3 B
FCFUS:2	JE 3 B
FCGND:1	CC 4 C
FCGND:1	CL 3 B
FCGND:1	CN 4 C
FCHA:A	EC 3 D
FCHA:A	EG 3 D
FCHA:B	EC 3 D
FCHA:B	EG 3 E
FCHL:A	GD 3 C
FCHL:A	GD 2 B
FCHL:A	GD 2 C
FCHL:A	GD 4 B
FCHL:B	GD 1 C
FCHL:B	GD 3 C
FCHL:B	GD 3 C
FCHL:C	GD 0 C
FCHL:C	GD 2 C
FCHL:C	GD 2 C
FCHL:D	GD 0 C
FCHL:D	GD 2 C
FCHL:D	GD 0 B
FCHL:D	GD 2 B

INLINE	PAGE
FCHL:E	GD 1 C
FCHL:E	GD 3 C
FCHL:E	GD 1 B
FCHL:E	GD 2 B
FCHL:F	GD 1 C
FCHL:F	GD 3 C
FCHL:F	GD 1 B
FCHL:F	GD 4 B
FCHL:G	GD 1 C
FCHL:G	GD 3 C
FCHL:G	GD 1 B
FCHL:G	GD 2 B
FCHL:H	GD 0 D
FCHL:H	GD 0 D
FCHL:H	GD 2 C
FCHL:H	GD 2 B
FCHL:J	GD 1 D
FCHL:J	GD 1 D
FCHL:J	GD 2 C
FCHL:J	GD 4 B
FCHL:M	GD 3 B
FCMD:A	CM 3 C
FCMD:B	CM 3 C
FCMD:C	CM 1 E
FCMD:E	BP 2 C
FCMD:F	BP 2 D
FCPT01:A	DP 1 D
FCPT01:B	DP 1 D
FCPT0:A	DP 4 D
FCRS:A	BM 5 A
FCRS:B	BM 5 C
FCSCR:1	CD 0 C
FCSCR:2	CD 1 C
FCSCR:3	CD 4 D
FCSCR:4	CD 4 D
FCSCR:5	CD 3 C
FCSCR:6	CD 3 C
FCSCR:7	CD 3 C
FCSCR:8	CD 3 C
FCSCR:9	CD 4 C
FCSCR:10	CD 4 C
FCSPJ5:A	FC 3 D
FCSPJ5:B	FD 1 C
FCSPJ5:C	FC 3 C
FCSPJ5:E	FD 3 C
FCSPJ5:G	FF 1 D
FCSPJ5:H	FC 3 C
FCSPJ5:K	GQ 2 B
FCSPJ5:L	FD 1 D
FCSPJ5:M	FF 1 D

0

1

2

3

4

INLINES

INLINE	PAGE
FCSPJ5:N	GQ 2 D
FCSPJ5:R	FC 2 C
FCSPJ5:S	FD 3 D
FCSPJ6:A	FC 2 D
FCSPJ6:B	FD 2 C
FCSPJ6:C	FC 1 C
FCSPJ6:E	FD 3 C
FCSPJ6:F	CH 3 C
FCSPJ6:G	FB 1 C
FCSPJ6:H	FC 2 C
FCSPJ6:J	FB 0 C
FCSPJ6:K	GQ 3 B
FCSPJ6:L	FD 2 D
FCSPJ6:M	FB 2 E
FCSPJ6:N	GQ 3 D
FCSPJ6:P	FB 2 C
FCSPJ6:R	CH 3 E
FCSPJ6:R	FB 1 E
FCSPJ6:R	FC 1 D
FCSPJ6:S	FD 3 D
FCSS:A	JF 1 C
FCSS:B	JF 1 C
FCSS:C	JF 1 C
FCSS:D	JF 1 C
FCSS:E	JF 1 C
FCTC:A	MA 3 D
FCTC:A	MA 0 C
FCTC:A	MA 2 C
FCTC:A	MB 0 A
FCTC:A	MB 1 B
FCTC:A	MC 2 C
FCTPM2:A	FG 4 B
FCTPM2:B	FG 4 B
FCTPM2:C	FG 4 B
FCTPM2:D	FG 4 B
FCTPM2:F	FG 4 B
FCTPM:A	FG 2 C
FCTPM:B	FG 2 D
FCTPM:C	FG 3 C
FCTPM:D	FG 3 C
FCTR1:A	CC 2 D
FCTR1:A	CL 1 B
FCTR1:A	CN 2 D
FCTR1:B	CC 2 D
FCTR1:B	CL 1 B
FCTR1:B	CN 2 D
FCTR2:1	DA 2 B
FCTR2:1	DA 3 D
FCTR2:2	DA 2 B
FCTR2:2	DA 3 D

INLINE	PAGE
FCTR:A	DB 4 B
FCTR:A	DF 0 B
FCTR:B	DA 4 A
FCTR:B	DB 3 D
FCTR:B	DF 0 B
FCUT2:1	CC 1 C
FCUT2:2	CC 1 C
FCUT2:3	CC 1 C
FCUT2:4	CC 1 C
FCUT2:5	CC 1 C
FCUT2:6	CC 2 C
FCUT2:7	CC 2 C
FCUT2:8	CC 2 C
FCUT2:9	CC 2 C
FCUT2:10	CC 2 C
FCUT2:11	CD 3 B
FCUT2:12	CD 3 B
FCUT2:13	CD 2 C
FCUT2:14	CD 1 C
FCUT2:16	CC 3 C
FCUT2:17	CC 3 C
FCUT2:18	CC 3 C
FCUT2:19	CC 3 C
FCUT2:20	CD 1 D
FCUT2:21	CD 1 C
FCUT2:22	CD 1 C
FCUT2:23	CD 3 B
FCUT2:24	CD 2 B
FCUT4:1	CN 2 C
FCUT4:2	CN 2 C
FCUT4:3	CN 2 C
FCUT4:4	CN 2 C
FCUT4:5	CP 1 C
FCUT4:6	CP 1 C
FCUT4:7	CP 1 C
FCUT4:8	CP 1 D
FCUT4:9	CP 2 C
FCUT4:10	CP 3 B
FCUT4:11	CP 3 B
FCUT4:12	CP 3 B
FCUT4:13	CP 3 B
FCUT:1	CK 1 B
FCUT:2	CK 1 B
FCUT:3	CK 1 B
FCUT:4	CK 1 A
FCUT:5	CK 1 D
FCUT:6	CK 3 D
FCUT:7	CK 3 D
FCUT:8	CK 2 D
FCUT:9	CK 2 D

INLINE	PAGE
FCUT:10	CK 2 D
FCUT:11	CK 2 C
FCUT:12	CK 2 D
FCUT:13	CK 2 D
FCUT:14	CK 1 D
FCVIS:A	CC 1 B
FCVIS:A	CN 1 B
FCVIS:B	CC 1 C
FCVIS:B	CN 1 C
FCVIS:C	CC 1 C
FCVIS:C	CN 1 C
FCWB:A	GP 3 C
FCWB:B	GP 3 A
FCWB:C	GP 3 A
FRC:B1-1_1	AE 4 D
FRC:B1-1_2	BD 2 B
FRC:B1-2_1	AE 4 D
FRC:B1-2_1	BC 0 D
FRC:B1-2_2	BC 1 B
FRC:B1-3_1	AE 4 D
FRC:B1-3_1	GC 3 B
FRC:B1-3_2	GC 2 B
FRC:B1-4_1	AE 4 D
FRC:B1-4_1	IB 3 B
FRC:B1-4_2	FF 1 B
FRC:B1-4_2	IB 3 B
FRC:B1-5_1	AE 4 D
FRC:B1-5_2	BC 1 B
FRC:B1-6_1	AE 3 D
FRC:B1-6_2	BD 2 B
FRC:F1 B	BJ 0 B
FRC:F1 B	IC 2 A
FRC:F2 B	BA 1 B
FRC:F2 B	KA 1 A
FRC:F2 B	KB 2 A
FRC:F2 B	KC 0 A
FRC:F2 B	KE 0 A
FRC:F2 B	KF 2 A
FRC:F2 B	KG 0 A
FRC:F3 A	AB 3 D
FRC:F3 B	IC 1 A
FRC:F4 B	IC 3 A
FRC:F8 B	GB 3 A
FRC:F9 A	AB 3 C
FRC:F9 B	GQ 1 B
FRC:F10 B	GB 3 B
FRC:F11 B	BD 2 A
FRC:F12 B	BC 1 A
FRC:F12 B	XA 4 A
FRC:F13_B	BJ 0 B

INLINE	PAGE
FRC:F14 B	EB 4 A
FRC:F14 B	EH 4 A
FRC:F14 B	GJ 1 B
FRC:F15 B	AB 1 B
FRC:F16 B	GB 3 A
FRC:F17 A	AB 2 B
FRC:F17 B	GB 3 A
FRC:F18 B	GB 3 B
FRC:F19 B	DA 0 A
FRC:F20 B	BA 0 B
FRC:F20 B	KA 1 A
FRC:F20 B	KB 3 A
FRC:F20 B	KC 1 A
FRC:F20 B	KE 1 A
FRC:F20 B	KF 3 A
FRC:F20 B	KG 1 A
FRC:F21 A	AB 0 D
FRC:F21 B	CC 2 A
FRC:F21 B	CL 1 A
FRC:F21 B	CN 2 A
FRC:F22 A	AB 0 D
FRC:F22 B	AC 2 A
FRC:F23 B	HA 0 B
FRC:F25 B	IB 2 B
FRC:F26 A	AB 1 D
FRC:F26 B	GP 0 B
FRC:F27 B	FD 2 A
FRC:F28 B	JA 1 B
FRC:F29 B	BH 1 B
FRC:F30 B	GI 2 B
FRC:F31 A	AB 2 D
FRC:F31 B	FF 1 A
FRC:F31 B	IB 3 A
FRC:F32 B	GI 1 B
FRC:F34 B	DP 2 A
FRC:F35 A	AB 3 D
FRC:F35 B	DA 1 A
FRC:F35 B	DB 3 B
FRC:F35 B	DF 1 A
FRC:F42 B	IG 3 B
FRC:F43 B	BH 0 B
FRC:F43 B	GC 2 A
FRC:F44 A	AA 1 C
FRC:F45 B	NA 3 A
FRC:F46 B	HB 2 A
FRC:F47 B	HB 3 A
FRC:F48 B	HB 3 A
FRC:F49 B	GB 3 B
FRC:F50 B	HB 2 A
FRC:F51_A	AA 0 B

INLINE	PAGE
FRC:F51 B	HA 0 B
FRC:F52 B	AA 0 B
FRC:F52 B	BE 2 A
FRC:F52 B	BE 0 B
FRC:F52 B	BG 0 B
FRC:F53 B	IF 2 B
FRC:F54 B	EA 2 A
FRC:F54 B	EC 2 A
FRC:F54 B	EG 2 B
FRC:F55 B	JH 0 B
FRC:F56 B	CM 0 A
FRC:F57 B	JG 2 A
FRC:F57 B	JH 0 B
FRC:F58 A	AA 2 D
FRC:F58 B	GA 1 B
FRC:F59 B	BE 2 A
FRC:F59 B	BE 1 B
FRC:F59 B	BG 0 B
FRC:F60 B	HB 3 A
FRC:F61 B	BC 1 A
FRC:F62 B	GK 3 A
FRC:F62 B	GK 1 A
FRC:F63 B	FC 1 A
FRC:F64 B	BH 1 B
FRC:F65 B	BH 0 B
FRC:F66 A	AA 3 D
FRC:F66 B	BD 2 A
FRC:F67 B	EB 3 B
FRC:F67 B	EH 3 A
FRC:F67 B	JE 0 A
FRC:F67 B	JE 3 A
FRC:F68 A	AA 4 D
FRC:F68 A	DA 1 B
FRC:F68 B	DA 1 B
FRC:F69 B	DA 0 B
FRC:F77 B	IG 0 B
FRC:F78 B	IA 2 B
FRC:F79 B	IG 2 B
FRC:F80 A	AA 1 D
FRC:F80 B	IG 4 B
FRC:F81 B	NA 1 B
FRC:F82 B	IG 2 B
FRC:R2_30	AB 2 C
FRC:R2_85	AB 1 D
FRC:R2_86	AB 1 C
FRC:R2_87	AB 2 D
FRC:R3_30	IA 3 C
FRC:R3_85	IA 2 C
FRC:R3_86	IA 2 C

INLINE	PAGE
FRC:R3_87	IA 3 C
FRC:R4_30	IA 4 C
FRC:R4_85	IA 4 C
FRC:R4_86	IA 4 C
FRC:R4_87A	IA 4 C
FRC:R5_30	AB 1 C
FRC:R5_85	AB 1 D
FRC:R5_86	AB 1 C
FRC:R5_87	AB 1 D
FRC:R6_30	KE 0 B
FRC:R6_30	KF 2 B
FRC:R6_30	KG 0 B
FRC:R6_85	KE 0 B
FRC:R6_85	KF 2 A
FRC:R6_85	KG 0 A
FRC:R6_86	KE 0 B
FRC:R6_86	KF 2 B
FRC:R6_86	KG 0 B
FRC:R6_87	KE 0 B
FRC:R6_87	KF 2 A
FRC:R6_87	KG 0 A
FRC:R6_87A	KE 0 B
FRC:R6_87A	KF 2 A
FRC:R6_87A	KG 0 A
FRC:R7_30	DP 1 B
FRC:R7_85	DP 1 B
FRC:R7_86	DP 1 B
FRC:R7_87	DP 1 B
FRC:R8_30	AA 2 B
FRC:R8_85	AA 3 C
FRC:R8_86	AA 3 B
FRC:R8_87	AA 2 C
FRC:R10_30	GQ 1 C
FRC:R10_85	GQ 1 C
FRC:R10_86	GQ 1 C
FRC:R10_87	GQ 1 C
FRC:R11_30	IA 2 C
FRC:R11_85	IA 2 C
FRC:R11_85	IA 2 C
FRC:R11_85	IA 3 C
FRC:R11_85	IA 3 A
FRC:R11_86	IA 2 C
FRC:R11_87	IA 2 C
FRC:R12_30	GP 1 B
FRC:R12_85	GP 0 B
FRC:R12_86	GP 0 B
FRC:R12_87	GP 0 B
FRC:R12_87A	GP 1 B
FRC:R13_30	AI 2 D
FRC:R13_30	DB 2 B

INLINES

INLINE	PAGE
FRC:R13 30	DF 2 B
FRC:R13 85	AI 2 D
FRC:R13 85	DB 2 B
FRC:R13 85	DF 2 B
FRC:R13 86	AI 2 D
FRC:R13 86	DB 2 B
FRC:R13 86	DF 2 B
FRC:R13 87	AI 2 D
FRC:R13 87	DB 2 B
FRC:R13 87	DF 2 B
FRC:R14 30	FB 3 A
FRC:R14 30	GK 2 B
FRC:R14 30	GK 1 B
FRC:R14 85	FB 3 B
FRC:R14 85	GK 2 C
FRC:R14 85	GK 1 B
FRC:R14 86	FB 3 A
FRC:R14 86	GK 2 B
FRC:R14 86	GK 1 B
FRC:R14 87	FB 3 B
FRC:R14 87	GK 2 C
FRC:R14 87	GK 1 B
FRC:R14 87A	FB 3 B
G01 N2B:1	HI 0 A
G01 P3B:1	HI 0 B
GENIV:1	DF 4 D
GENIV:2	DF 4 D
GENIV:5	DF 4 E
GENIV:6	DF 4 E
GRDJ:1	KH 0 D
GRDJ:1	KH 3 D
GRDJ:2	KH 0 D
GRDJ:2	KH 3 D
GRDJ:3	KH 0 B
GRDJ:3	KH 3 B
GRDJ:4	KH 0 B
GRDJ:4	KH 3 B
GRDJ:6	KH 0 C
GRDJ:6	KH 3 C
GRDJ:7	KH 0 C
GRDJ:7	KH 3 C
GRDJ:8	KH 0 C
GRDJ:8	KH 3 C
GRDJ:9	KH 0 C
GRDJ:9	KH 3 C
GRDJ:10	KH 0 C
GRDJ:10	KH 3 C
GRDJ:11	KH 0 C
GRDJ:11	KH 3 C
GRDJ:12	KH 0 C

INLINE	PAGE
GRDJ:12	KH 3 C
GRDJ:13	KH 0 C
GRDJ:13	KH 3 C
GRDJ:14	KH 0 D
GRDJ:14	KH 3 D
GRDJ:15	KH 0 D
GRDJ:15	KH 3 D
GRDJ:16	KH 0 D
GRDJ:16	KH 3 D
ICAN:A	HD 0 D
ICAN:C	HD 0 D
ISOTR1:1	MC 4 E
ISOTR1:2	MC 4 D
ISOTR1:3	MC 4 E
ISOTR2:A	MC 4 D
ISOTR2:B	MC 4 D
ISOTR2:C	MC 4 D
ISOTR3:A	MC 4 E
ISX_SCR:1	CD 0 A
ISX_SCR:2	CD 0 A
ISX_SCR:4	CD 0 A
ISX_SCR:5	CD 0 A
ISX_SCR:6	CD 0 B
ISX_SCR:7	CD 0 B
ISX_SCR:8	CD 0 B
ISX_SCR:9	CD 0 B
ISX_SCR:10	CD 0 B
ISX_SCR:11	CD 0 B
ISX_SCR:12	CD 0 B
LDSPL:1	KA 4 C
LDSPL:1	KE 4 D
LDSPL:2	KA 4 C
LDSPL:2	KE 4 D
LDSPL:2	KE 4 D
LDSPL:2	KE 4 E
LDSPL:2	KE 4 D
LDSPL:2	KE 4 E
LDWSCORO:A	JG 1 B
LDWSCORO:B	JG 1 B
LDWSCORO:C	JG 1 B
LDWSCORO:D	JG 1 B
LDWSCORO:E	JG 1 C
LDWSCORO:F	JG 1 C
LDWSCORO:G	JG 3 B
LDWSCORO:H	JG 2 C
LDWSCORO:I	JG 1 C
LDWSCORO:K	JG 1 C
LKDL:A	IF 1 B
LKDL:B	IF 1 B
LKDL:C	IF 2 C

INLINE	PAGE
LKDL:D	IF 1 C
LKDL:E	IF 1 C
LKDR:A	IF 2 C
LKDR:B	IF 2 C
LKDR:C	IF 2 C
MCAD:A	AI 1 C
MCAD:B	AI 1 C
MCAD:C	AI 1 C
MCAD:D	AI 3 B
MCAD:E	AI 3 B
MCAX1:A	NA 3 B
MCAX1:B	NA 2 C
MCAX:A	NA 1 B
MCAX:B	NA 0 C
MCBB2:A	BM 2 B
MCBB2:B	BM 2 B
MCBB2:C	BM 1 D
MCBB2:D	BM 2 D
MCBB3:A	BM 2 B
MCBB3:B	BM 2 B
MCBB3:C	BM 1 D
MCBB3:D	BM 2 D
MCBB3:E	BM 5 A
MCBB3:F	BM 5 B
MCBB3:G	BM 5 C
MCBB:A	BI 1 B
MCBB:B	BI 1 B
MCBFO:A	JH 0 B
MCBFO:B	JH 1 B
MCBOC:A	GG 2 B
MCBOC:A	GG 2 B
MCBOC:A	GG 3 B
MCBOC:B	GG 2 D
MCBOC:B	GG 2 D
MCBOC:B	GG 3 D
MCBS1:A	AI 3 E
MCBS2:A	AI 3 E
MCCA:2	JE 0 B
MCCA:2	JE 3 B
MCCA:3	JF 3 C
MCCA:4	JF 2 C
MCCA:5	JF 2 C
MCCB:A	IG 3 C
MCCB:B	IG 3 D
MCCNG:A	BP 2 B
MCCS1:A	AI 3 B
MCCS1:A	AI 3 C
MCCS2:A	AI 3 B
MCCS2:A	AI 3 C
MCCS2:A	AI 3 C
MCDAY:A	XC 4 D

INLINE	PAGE
MCDAY:A	XC 1 C
MCDAY:B	XC 4 D
MCDAY:B	XC 1 C
MCDC1:F	IA 4 E
MCDC1:G	IA 3 D
MCDC2:B	IA 4 E
MCDC2:F	IA 4 D
MCDC2:F	IA 4 D
MCDIAG2:A	XA 2 D
MCDIAG2:A	XA 0 A
MCDIAG2:A	XF 3 C
MCDIAG2:B	XA 1 D
MCDIAG2:B	XA 1 A
MCDIAG2:B	XF 3 C
MCDIAG2:C	XA 2 D
MCDIAG2:C	XA 0 A
MCDIAG2:C	XF 3 C
MCDIAG2:D	XA 3 D
MCDIAG2:D	XA 0 A
MCDIAG2:D	XF 3 C
MCDIAG2:E	XA 3 D
MCDIAG2:E	XA 0 A
MCDIAG2:E	XF 2 B
MCDIAG2:F	XA 0 A
MCDIAG2:F	XA 4 D
MCDIAG2:F	XF 2 B
MCDIAG2:G	XA 0 A
MCDIAG2:G	XA 4 D
MCDIAG2:G	XF 2 B
MCDIAG2:H	XA 3 E
MCDIAG2:H	XA 0 A
MCDIAG2:H	XF 3 E
MCDIAG2:K	XA 2 E
MCDIAG2:K	XA 0 A
MCDIAG2:K	XF 3 D
MCDIAG2:L	XA 4 D
MCDIAG2:L	XA 0 A
MCDIAG2:L	XF 2 B
MCDIAG2:M	XA 4 D
MCDIAG2:M	XA 0 A
MCDIAG2:M	XF 3 B
MCDIAG2:N	XF 2 B
MCDIAG2:P	XF 2 B
MCDL2:A	IC 2 B
MCDL2:B	IC 1 B
MCDL2:C	IC 1 C
MCDL2:D	IC 1 B
MCDL2:E	IC 2 B
MCDL2:F	IC 2 B
MCDL2:G	IC 2 B

INLINE	PAGE
MCDL2:H	IC 2 C
MCDL3:A	IC 1 B
MCDL3:B	IC 2 C
MCDL3:D	IA 1 C
MCDL3:E	IA 1 C
MCDL3:F	AE 3 E
MCDL3:G	IA 2 D
MCDL3:G	IA 3 D
MCDL3:G	IA 3 B
MCDL4:A	KA 1 D
MCDL4:A	KB 4 D
MCDL4:A	KC 0 E
MCDL4:A	KE 0 D
MCDL4:A	KF 4 D
MCDL4:A	KG 0 E
MCDL4:B	KA 1 D
MCDL4:B	KB 4 D
MCDL4:B	KC 0 E
MCDL4:B	KE 0 D
MCDL4:B	KF 4 D
MCDL4:B	KG 0 E
MCDR2:A	IA 2 C
MCDR2:B	AE 3 A
MCDR2:C	IA 1 C
MCDR2:D	IC 3 B
MCDR2:E	IC 2 C
MCDR2:F	IA 3 D
MCDR2:F	IA 4 D
MCDR2:F	IA 3 A
MCDR3:A	KA 1 D
MCDR3:A	KB 2 D
MCDR3:A	KC 0 E
MCDR3:A	KE 1 D
MCDR3:A	KF 2 D
MCDR3:A	KG 0 E
MCDR3:B	KA 1 D
MCDR3:B	KB 3 D
MCDR3:B	KC 0 E
MCDR3:B	KE 1 D
MCDR3:B	KF 3 D
MCDR3:B	KG 0 E
MCEB1:A	AH 3 D
MCEB1:B	AJ 1 A
MCEB1:C	AJ 1 B
MCEB1:C	AJ 2 D
MCEB1:C	AJ 2 B
MCEB1:C	AJ 1 D
MCEB1:C	AJ 4 C
MCEB1:D	AJ 1 B
MCEB1:D	AJ 4 D

INLINE	PAGE
MCEB1:D	AJ 2 C
MCEB1:D	AJ 1 D
MCEB1:D	AJ 4 C
MCEB1:E	AJ 3 D
MCEB1:E	AJ 1 D
MCEB1:F	AI 4 C
MCEB1:G	AI 4 C
MCEB2:A	AJ 0 A
MCEB2:A	AJ 0 B
MCEB2:A	AJ 4 C
MCEB2:A	AJ 2 B
MCEB2:A	AJ 3 B
MCEB2:B	AJ 0 C
MCEB2:B	AJ 0 C
MCEB2:B	AJ 4 E
MCEB2:B	AJ 2 C
MCEB2:B	AJ 3 C
MCES:A	EB 1 C
MCES:A	EH 1 C
MCES:B	EB 1 C
MCES:B	EH 1 C
MCES:C	EB 2 C
MCES:C	EH 2 C
MCES:D	EB 2 C
MCES:D	EH 2 C
MCES:E	EB 2 C
MCES:E	EH 2 D
MCES:F	EB 2 C
MCES:F	EH 2 D
MCES:G	EB 2 C
MCES:G	EH 2 D
MCES:J	EH 2 C
MCESO:A	EB 3 B
MCESO:A	EH 3 B
MCESO:A	JE 0 B
MCESO:A	JE 2 B
MCESO:B	EB 4 B
MCESO:B	EH 4 B
MCESO:C	EB 4 D
MCESO:C	EH 4 D
MCESO:D	EB 4 B
MCESO:D	EH 4 A
MCFC:1	GP 2 D
MCFC:2	GD 1 B
MCFC:3	MA 3 B
MCFC:4	GA 2 D
MCFC:5	GA 3 D
MCFC:6	GA 3 D
MCFC:7	GP 2 B
MCFC:8	MA 3 B

0

1

2

3

4

INLINES

INLINE	PAGE
MCFC:14	FB 1 C
MCFC:15	FB 2 C
MCFC:16	DP 4 D
MCFC:17	GI 1 D
MCFC:18	GI 2 D
MCFC:19	GI 1 D
MCFC:20	GI 2 D
MCFC:21	EA 0 D
MCFC:21	BC 0 C
MCFC:21	EG 0 C
MCFC:22	EA 0 D
MCFC:22	BC 0 C
MCFC:22	EG 0 C
MCFC:23	EA 1 D
MCFC:23	BC 4 D
MCFC:23	EG 4 D
MCFC:24	EA 1 D
MCFC:24	BC 3 D
MCFC:24	EG 4 D
MCFC:25	EA 1 D
MCFC:25	BC 0 D
MCFC:25	EG 0 D
MCFC:26	EA 1 D
MCFC:26	BC 0 D
MCFC:26	EG 0 D
MCFC:27	EA 1 D
MCFC:27	BC 0 D
MCFC:27	EG 0 D
MCFC:28	EA 1 D
MCFC:28	BC 4 D
MCFC:28	EG 4 D
MCFC:29	EA 1 D
MCFC:29	BC 4 D
MCFC:29	EG 4 D
MCFC:30	EA 2 D
MCFC:30	EC 1 C
MCFC:30	EG 1 C
MCFC:31	EA 2 D
MCFC:31	EC 1 C
MCFC:31	EG 1 C
MCFC:32	EA 2 D
MCFC:32	EC 1 C
MCFC:32	EG 1 C
MCFC:33	EA 0 C
MCFC:33	EC 0 C
MCFC:33	BG 0 C
MCFC:34	EA 0 C
MCFC:34	EC 0 C
MCFC:34	BG 0 C
MCFC:35	EA 0 C

INLINE	PAGE
MCFC:35	EC 0 C
MCFC:35	EG 0 C
MCFC:36	EA 1 B
MCFC:36	EC 1 C
MCFC:36	EG 1 C
MCFC:37	EA 1 B
MCFC:37	EC 1 C
MCFC:37	EG 1 C
MCFC:38	EA 1 B
MCFC:38	EC 1 C
MCFC:38	EG 1 C
MCFC:39	EA 1 C
MCFC:39	EC 1 C
MCFC:39	EG 1 C
MCFC:40	EA 1 C
MCFC:40	EC 1 C
MCFC:40	EG 1 C
MCFC:41	EA 1 C
MCFC:41	EC 2 C
MCFC:41	EG 2 C
MCFC:42	EA 1 C
MCFC:42	EC 2 C
MCFC:42	EG 2 C
MCFC:43	EA 3 D
MCFC:43	EC 2 D
MCFC:43	EG 2 D
MCFC:44	EA 3 D
MCFC:44	EC 2 D
MCFC:44	EG 2 D
MCFC:45	XA 0 D
MCFC:46	XA 0 D
MCFC:47	BB 0 C
MCFC:48	BA 4 C
MCFC:49	BA 3 C
MCFC:50	AI 2 C
MCFC:51	BA 4 C
MCFC:52	CB 1 B
MCFC:53	BB 1 C
MCFC:54	AG 1 B
MCFC:55	BA 2 E
MCFC:56	BA 3 D
MCFC:57	BB 1 C
MCFC:58	HA 1 B
MCFC:59	FC 1 C
MCFC:59	FC 1 C
MCFC:59	FC 3 C
MCFC:60	FD 3 C
MCFC:60	FD 3 C
MCFC:60	FD 3 C
MCFC:61	AC 2 B

INLINE	PAGE
MCFC:62	FD 1 C
MCFC:62	FD 1 C
MCFC:62	FD 2 C
MCFC:63	FC 2 C
MCFC:63	FC 3 C
MCFC:63	FC 2 C
MCFC:64	GB 1 C
MCFC:65	GB 1 C
MCFC:66	AG 1 C
MCFC:67	GB 2 D
MCFC:68	BA 3 B
MCFC:69	GP 2 A
MCFC:70	GQ 1 D
MCFC:71	AG 0 B
MCFC:72	GQ 2 D
MCFC:72	GQ 2 D
MCFC:72	GQ 3 D
MCFC:73	GQ 2 B
MCFC:73	GQ 3 B
MCFC:73	GQ 2 B
MCFC:74	GE 2 B
MCFC:74	GE 2 B
MCFC:74	GE 3 B
MCFC:75	GE 1 B
MCFC:75	GE 1 B
MCFC:75	GE 2 B
MCFC:76	GD 2 B
MCFC:77	GD 1 B
MCFC:78	GD 0 B
MCFC:79	GD 0 B
MCFC:80	GD 1 B
MCFC:81	GD 1 B
MCFC:82	EA 2 B
MCFC:82	EC 2 B
MCFC:82	EG 2 B
MCFC:83	XB 3 C
MCFC:83	XD 1 C
MCFC:83	XE 1 B
MCFC:83	XE 1 D
MCFC:84	XB 3 C
MCFC:84	XD 1 C
MCFC:84	XE 1 B
MCFC:84	XE 1 D
MCFC:85	EA 2 D
MCFC:85	EC 1 D
MCFC:85	EG 1 D
MCFC:86	EA 2 D
MCFC:86	EC 1 D
MCFC:86	EG 1 D
MCFC:87	EA 3 D

INLINE	PAGE
MCFC:87	EC 2 D
MCFC:87	EG 2 D
MCFC:88	EA 3 D
MCFC:88	EC 2 D
MCFC:88	EG 3 D
MCFC:89	EA 3 D
MCFC:89	EC 2 D
MCFC:89	EG 2 D
MCFC:90	EA 4 D
MCFC:90	EC 2 D
MCFC:90	EG 2 D
MCFC:91	EA 4 D
MCFC:91	EC 2 D
MCFC:91	EG 2 D
MCFC:92	EA 3 D
MCFC:92	EC 2 D
MCFC:92	EG 2 D
MCFC:93	ED 0 B
MCFC:94	ED 0 B
MCFC:95	ED 4 B
MCFC:96	ED 4 B
MCFC:97	ED 1 C
MCFC:98	ED 1 C
MCFC:99	ED 1 C
MCFC:100	ED 1 C
MCFC:101	ED 4 B
MCFC:102	EC 3 D
MCFC:102	EG 3 C
MCFC:103	XF 1 B
MCFC:104	XF 1 B
MCFC:107	FF 1 C
MCFC:108	FF 1 C
MCFC:109	BH 0 C
MCFC:110	FB 1 C
MCFC:111	CH 3 C
MCFC:112	BH 2 D
MCFC:113	BH 3 D
MCFC:114	DP 1 C
MCFC:115	BI 1 B
MCFC:115	BM 2 B
MCFC:116	AF 1 C
MCFC:117	GK 4 C
MCFC:117	GK 2 C
MCFC:117	GK 1 C
MCFC:118	CC 2 B
MCFC:118	CL 1 B
MCFC:118	CN 2 B
MCFC:119	GP 2 A
MCFC:124	GP 1 C
MCFC:125	GP 1 D

INLINE	PAGE
MCFC:126	NA 1 D
MCFC:127	NA 1 D
MCFC:128	NA 3 D
MCFCOPT:1	JE 0 C
MCFCOPT:1	JE 3 C
MCFCOPT:2	CM 3 C
MCFCOPT:3	CM 1 D
MCFCOPT:5	CM 3 C
MCFCOPT:6	BP 2 D
MCFCOPT:7	BP 2 C
MCFCOPT:9	JF 2 B
MCFCOPT:10	JF 2 B
MCFCOPT:11	JF 2 B
MCFCOPT:12	JE 3 A
MCFCOPT:13	JE 3 A
MCFCOPT:15	EB 2 D
MCFCOPT:15	EH 2 D
MCFCOPT:16	EB 2 D
MCFCOPT:16	EH 2 D
MCFCOPT:17	EB 2 D
MCFCOPT:17	EH 2 D
MCFCOPT:18	EB 1 B
MCFCOPT:18	EH 1 B
MCFCOPT:19	EB 1 B
MCFCOPT:19	EH 1 B
MCFCOPT:21	EB 2 B
MCFCOPT:21	EH 2 B
MCFCOPT:22	EB 2 B
MCFCOPT:22	EH 2 B
MCFCOPT:23	EH 2 B
MCGR:A1	KH 1 B
MCGR:A1	KH 4 B
MCGR:A1	XC 1 D
MCGR:A1	XC 0 B
MCGR:A2	KH 1 B
MCGR:A2	KH 4 B
MCGR:A2	XC 1 D
MCGR:A2	XC 1 B
MCGR:A3	KE 1 B
MCGR:A3	KF 3 B
MCGR:A3	KG 2 A
MCGR:A3	KH 1 B
MCGR:A3	KH 4 B
MCGR:A4	KE 0 B
MCGR:A4	KF 2 B
MCGR:A4	KG 0 B
MCGR:A4	KH 1 B
MCGR:A4	KH 4 B
MCGR:A6	KE 1 B
MCGR:A6	KF 3 B

INLINE	PAGE
MCGR:A6	KG 2 A
MCGR:A6	KH 1 C
MCGR:A6	KH 4 C
MCGR:A7	BA 0 B
MCGR:A7	KE 0 B
MCGR:A7	KF 2 B
MCGR:A7	KG 1 A
MCGR:A7	KH 1 C
MCGR:A7	KH 4 C
MCGR:A8	KE 2 C
MCGR:A8	KF 4 D
MCGR:A8	KH 1 C
MCGR:A8	KH 4 C
MCGR:B1	KE 1 C
MCGR:B1	KE 2 D
MCGR:B1	KG 1 D
MCGR:B1	KH 1 C
MCGR:B1	KH 4 C
MCGR:B2	KE 1 C
MCGR:B2	KF 3 D
MCGR:B2	KG 1 D
MCGR:B2	KH 1 C
MCGR:B2	KH 4 C
MCGR:B3	KE 1 C
MCGR:B3	KF 2 D
MCGR:B3	KG 1 D
MCGR:B3	KH 1 C
MCGR:B3	KH 4 C
MCGR:B4	KE 1 C
MCGR:B4	KF 2 D
MCGR:B4	KG 2 D
MCGR:B4	KH 1 C
MCGR:B4	KH 4 C
MCGR:B5	KE 1 C
MCGR:B5	KF 3 D
MCGR:B5	KG 1 D
MCGR:B5	KH 1 C
MCGR:B5	KH 4 C
MCGR:B6	KE 2 C
MCGR:B6	KF 3 D
MCGR:B6	KG 1 D
MCGR:B6	KH 1 D
MCGR:B6	KH 4 D
MCGR:B7	KE 0 C
MCGR:B7	KF 4 D
MCGR:B7	KG 0 D
MCGR:B7	KH 1 D
MCGR:B7	KH 4 D
MCGR:B8	KE 0 C
MCGR:B8	KF 4 D

0

1

2

3

4

INLINES

INLINE	PAGE
MCGR:B8	KG 0 D
MCGR:B8	KH 1 D
MCGR:B8	KH 4 D
MCGRB:4	KH 1 B
MCGRB:4	KH 4 B
MCGRD:15	KH 1 E
MCGRD:15	KH 4 E
MCGRD:16	KH 1 E
MCGRD:16	KH 4 E
MCIS1:A	DA 1 D
MCIS1:B	DA 1 D
MCIS1:C	DA 1 D
MCIS1:D	DA 1 D
MCIS1:E	DA 0 D
MCIS1:F	DA 0 D
MCIS1:G	DA 0 D
MCIS1:H	DA 0 D
MCIS1:J	DA 0 D
MCIS1:K	DA 0 D
MCIS:A	DA 3 D
MCIS:A	DA 1 D
MCIS:B	DA 2 D
MCIS:B	DA 1 D
MCIS:C	DA 2 D
MCIS:C	DA 1 D
MCIS:D	DA 2 D
MCIS:D	DA 1 D
MCIS:E	DA 2 D
MCIS:E	DA 0 D
MCIS:F	DA 2 D
MCIS:F	DA 0 D
MCIS:G	DA 2 D
MCIS:G	DA 0 D
MCIS:H	DA 2 D
MCIS:H	DA 0 D
MCIS:J	DA 2 D
MCIS:J	DA 0 D
MCIS:K	DA 2 D
MCIS:K	DA 0 D
MCIS:L	DA 2 D
MCIS:M	DA 1 D
MCIS:N	DA 1 D
MCLA:A	FB 3 B
MCLA:B	FB 1 C
MCLA:C	FB 1 C
MCLA:D	FB 2 C
MCLA:F	FB 0 B
MCLA:G	FB 0 C
MCLD:A	KA 2 B
MCLD:A	KE 2 B

INLINE	PAGE
MCLD:A	KE 2 B
MCLD:B	JG 2 B
MCLD:B	JH 0 B
MCLD:C	JG 2 D
MCLD:C	JH 0 D
MCLK:A	IF 2 B
MCLK:B	IF 2 B
MCLK:C	IF 2 B
MCLK:D	IF 2 B
MCLK:E	IF 2 B
MCMC2:C	AH 3 C
MCMC2:C	AH 3 C
MCMC2:C	AH 3 C
MCMC3:A	BB 1 D
MCMC3:B	BB 1 D
MCMC3:C	BB 1 D
MCMC3:E	BB 1 D
MCMC3:E	GA 3 B
MCMC3:E	JD 3 D
MCMC3:F	BB 1 D
MCMC3:F	GA 3 C
MCMC3:F	JD 2 D
MCMC3:G	BB 1 D
MCMC3:G	GA 3 C
MCMC3:H	JD 2 B
MCMC4:A	DP 1 C
MCMC4:A	DP 1 C
MCMC4:B	DP 3 A
MCMC4:C	DP 3 D
MCMC4:D	DP 4 C
MCMD:A	CM 0 B
MCMD:B	CM 0 D
MCMD:C	CM 0 D
MCMI:E	JD 3 D
MCMI:F	JD 2 D
MCMI:H	JD 2 B
MCMJ1:1	IC 3 B
MCMJ1:2	IC 4 B
MCMJ1:3	IC 3 D
MCMJ1:4	IC 3 B
MCMJ1:5	IC 3 B
MCMJ2:1	IC 1 B
MCMJ2:2	IC 0 B
MCMJ2:3	IC 0 D
MCMJ2:4	IC 1 B
MCMJ2:5	IC 1 B
MCML1:A	IE 2 B
MCML1:A	IE 2 B
MCML1:B	IE 2 D
MCML1:B	IE 2 D

INLINE	PAGE
MCML2:A	IE 2 B
MCML2:A	IE 2 B
MCML2:B	IE 2 D
MCML2:B	IE 2 D
MCML2:B	IE 2 D
MCMM:A	BG 0 B
MCMM:C	BG 0 B
MCOF1:A	IA 0 C
MCOF1:B	IA 0 C
MCOF1:C	GC 2 B
MCOF1:C	GC 2 C
MCOF1:D	AE 3 A
MCOF1:E	IA 0 C
MCPL2:A	GI 2 C
MCPL2:B	GI 1 C
MCPL2:C	GI 2 C
MCPL2:D	GI 1 C
MCPL:A	GI 3 C
MCPL:B	GI 1 D
MCPL:C	GI 3 C
MCPL:D	GI 2 B
MCPL:E	GI 2 B
MCPL:F	GI 1 B
MCPL:G	GI 0 D
MCPL:H	GJ 1 B
MCPT2:A	BM 2 A
MCPT01:A	DP 1 C
MCPT01:B	DP 3 A
MCPT01:C	DP 3 D
MCPT01:D	DP 4 C
MCPT02:A	DP 1 C
MCPW:F	IA 3 A
MCQC:A	BE 2 B
MCQC:A	BE 1 B
MCQC:C	BE 2 C
MCQC:C	BE 0 B
MCRAD1:A	KB 3 B
MCRAD1:A	KC 3 A
MCRAD1:B	KB 4 B
MCRAD1:B	KC 3 A
MCRJ2:A	KB 1 C
MCRJ2:A	KC 2 C
MCRJ2:A	KF 1 C
MCRJ2:A	KG 2 C
MCRJ2:B	KB 1 C
MCRJ2:B	KC 2 C
MCRJ2:B	KF 1 C
MCRJ2:B	KG 2 C
MCRJ2:C	KB 1 C
MCRJ2:C	KC 3 C
MCRJ2:C	KF 1 C

INLINE	PAGE
MCRJ2:C	KG 3 C
MCRJ2:D	KB 1 D
MCRJ2:D	KC 3 C
MCRJ2:D	KF 1 D
MCRJ2:D	KG 3 C
MCRJ:1	KB 2 D
MCRJ:1	KC 1 D
MCRJ:1	KF 2 D
MCRJ:1	KG 1 D
MCRJ:2	KB 3 D
MCRJ:2	KC 1 D
MCRJ:2	KF 3 D
MCRJ:2	KG 1 D
MCRJ:3	KF 4 B
MCRJ:3	KG 0 D
MCRJ:4	KF 4 B
MCRJ:4	KG 0 D
MCRJ:5	KB 2 D
MCRJ:5	KC 1 D
MCRJ:5	KF 2 D
MCRJ:5	KG 1 D
MCRJ:6	KB 2 D
MCRJ:6	KC 2 D
MCRJ:6	KF 2 D
MCRJ:6	KG 2 D
MCRJ:7	KB 3 B
MCRJ:7	KC 2 A
MCRJ:7	KF 3 B
MCRJ:7	KG 2 A
MCRJ:8	KB 2 B
MCRJ:8	KC 0 B
MCRJ:8	KF 2 B
MCRJ:8	KG 0 B
MCRJ:9	KB 3 D
MCRJ:9	KC 1 D
MCRJ:9	KF 3 D
MCRJ:9	KG 1 D
MCRJ:10	KB 3 D
MCRJ:10	KC 1 D
MCRJ:10	KF 3 D
MCRJ:10	KG 1 D
MCRJ:12	KB 3 B
MCRJ:12	KC 2 A
MCRJ:12	KF 3 B
MCRJ:12	KG 2 A
MCRJ:13	KB 4 D
MCRJ:13	KC 0 D
MCRJ:13	KF 4 D
MCRJ:13	KG 0 D
MCRJ:14	KB 4 D

INLINE	PAGE
MCRJ:14	KC 1 D
MCRJ:14	KF 4 D
MCRJ:14	KG 1 D
MCRJ:15	KB 2 B
MCRJ:15	KC 1 A
MCRJ:15	KF 2 B
MCRJ:15	KG 1 B
MCRJ:16	KB 4 D
MCRJ:16	KC 3 C
MCRJ:16	KF 4 D
MCRJ:16	KG 3 C
MCRJA:3	KA 1 B
MCRJA:3	KB 3 B
MCRJA:3	KC 2 A
MCRJA:4	KA 1 B
MCRJA:4	KB 2 B
MCRJA:4	KC 0 B
MCRJA:6	KA 1 B
MCRJA:6	KB 3 B
MCRJA:6	KC 2 A
MCRJA:7	KA 1 B
MCRJA:7	KB 2 B
MCRJA:7	KC 1 A
MCRJA:8	KA 2 D
MCRJA:8	KB 4 D
MCRJA:8	KC 3 C
MCRJA:8	KG 3 C
MCRJB:1	KA 1 D
MCRJB:1	KB 2 D
MCRJB:1	KC 1 D
MCRJB:2	KA 1 D
MCRJB:2	KB 3 D
MCRJB:2	KC 1 D
MCRJB:3	KA 1 D
MCRJB:3	KB 2 D
MCRJB:3	KC 1 D
MCRJB:4	KA 1 D
MCRJB:4	KB 2 D
MCRJB:4	KC 2 D
MCRJB:5	KA 2 D
MCRJB:5	KB 3 D
MCRJB:5	KC 1 D
MCRJB:6	KA 2 D
MCRJB:6	KB 3 D
MCRJB:6	KC 1 D
MCRJB:7	KA 1 D
MCRJB:7	KB 4 D
MCRJB:7	KC 0 D
MCRJB:8	KA 1 D
MCRJB:8	KB 4 D

INLINE	PAGE
MCRJB:8	KC 0 D
MCRM0:A	CM 2 C
MCRM0:B	CM 2 C
MCRM0:C	CM 1 C
MCRR:1	BC 3 B
MCRR:2	BC 3 B
MCRR:5	BC 3 B
MCRR:6	BC 3 C
MCRR:7	BC 3 C
MCRR:8	BC 3 B
MCRR:9	BC 3 C
MCRR:10	BC 3 C
MCRR:12	BC 3 B
MCRR:13	BC 3 C
MCRR:14	BC 3 C
MCRR:15	BC 3 B
MCRR:16	BC 3 B
MCRS:A	IG 2 C
MCRS:B	IG 2 C
MCRS0:A	GC 2 B
MCRS0:B	GC 1 B
MCRS0:C	GC 2 B
MCRS0:D	GC 1 B
MCRS0:E	GC 1 B
MCRWJ:A	KB 1 D
MCRWJ:A	KF 1 D
MCRWJ:B	KB 1 D
MCRWJ:B	KF 1 D
MCRWJ:C	KB 1 D
MCRWJ:D	KB 1 D
MCRWJ:D	KF 1 D
MCRWJ:E	GG 1 B
MCRWJ:F	GG 1 D
MCSL1:A	KB 0 D
MCSL1:A	KB 1 D
MCSL1:A	KB 1 B
MCSL1:A	KC 2 C
MCSL1:A	KC 4 C
MCSL1:A	KC 4 D
MCSL1:A	KF 0 D
MCSL1:A	KF 1 D
MCSL1:A	KF 1 B
MCSL1:A	KG 4 D
MCSL1:A	KG 2 C
MCSL1:A	KG 4 C
MCSL1:B	KB 0 D
MCSL1:B	KB 1 D
MCSL1:B	KB 1 B
MCSL1:B	KC 2 C

0

1

2

3

4

INLINES

A

INLINE	PAGE
MCSL1:B	KC 4 C
MCSL1:B	KC 4 D
MCSL1:B	KF 1 B
MCSL1:B	KF 0 D
MCSL1:B	KF 1 D
MCSL1:B	KG 4 D
MCSL1:B	KG 4 C
MCSL1:B	KG 2 C
MCSL1:C	KB 0 D
MCSL1:C	KB 1 D
MCSL1:C	KB 0 B
MCSL1:C	KC 3 C
MCSL1:C	KC 4 C
MCSL1:C	KC 4 D
MCSL1:C	KF 0 B
MCSL1:C	KF 0 D
MCSL1:C	KF 1 D
MCSL1:C	KG 3 C
MCSL1:C	KG 4 C
MCSL1:C	KG 4 D
MCSL1:D	KB 0 D
MCSL1:D	KB 1 D
MCSL1:D	KB 0 B
MCSL1:D	KC 3 C
MCSL1:D	KC 4 C
MCSL1:D	KC 4 D
MCSL1:D	KF 1 D
MCSL1:D	KF 0 B
MCSL1:D	KF 0 D
MCSL1:D	KG 4 D
MCSL1:D	KG 3 C
MCSL1:D	KG 4 C
MCSL1:E	GG 1 B
MCSL1:E	GH 2 B
MCSL1:E	GH 0 B
MCSL1:F	GG 1 E
MCSL1:F	GH 2 E
MCSL1:F	GH 0 D
MCSL2:A	HB 1 C
MCSL2:B	HB 1 C
MCSL2:C	HB 2 C
MCSL2:D	HB 2 C
MCSL2:F	HB 3 B
MCSL2:G	HD 0 B
MCSL2:G	HE 2 D
MCSL2:G	HH 2 D
MCSL2:H	HD 0 B
MCSL2:H	HE 2 D
MCSL2:H	HH 2 D
MCSL2:J	HB 1 C

B

INLINE	PAGE
MCSL2:K	AH 3 B
MCSL3:A	HB 2 D
MCSL3:B	HD 1 D
MCSL3:B	HE 1 D
MCSL3:B	HH 1 D
MCSL3:C	HD 1 E
MCSL3:C	HE 2 D
MCSL3:C	HH 2 D
MCSL3:D	IG 3 B
MCSL3:E	IG 4 B
MCSL3:F	HB 2 B
MCSL3:G	HB 3 B
MCSL3:H	HB 3 B
MCSL5:A	XC 3 A
MCSL5:A	XC 4 D
MCSL5:A	XC 1 A
MCSL5:A	XC 1 C
MCSL5:B	XC 3 A
MCSL5:B	XC 4 D
MCSL5:B	XC 1 B
MCSL5:B	XC 1 C
MCSL5:C	HB 3 C
MCSL5:D	HB 2 B
MCSL5:E	HB 3 C
MCSPK1:1	KE 4 D
MCSPK1:2	KE 4 D
MCSPK2:1	KE 4 D
MCSPK2:2	KE 4 D
MCSR1:A	GA 1 D
MCSR1:A	IE 2 C
MCSR1:A	IE 2 C
MCSR1:A	IE 2 B
MCSR1:B	GA 1 E
MCSR1:B	IE 2 D
MCSR1:B	IE 2 D
MCSR2:A	GA 2 D
MCSR2:A	IE 2 B
MCSR2:B	GA 2 E
MCSR2:B	IE 2 D
MCST1:A	DB 0 C
MCST1:B	DB 0 B
MCST1:C	DB 0 B
MCST1:D	DB 0 B
MCST1:E	DB 0 B
MCST2:A	DA 1 D
MCST2:B	DA 1 D
MCST2:C	DA 1 D
MCST2:D	DA 1 D
MCST2:E	DA 0 D

C

INLINE	PAGE
MCST2:F	DA 0 D
MCST2:G	DA 0 D
MCST2:H	DA 0 D
MCST2:J	DA 0 D
MCST2:K	DA 0 D
MCST3:A	DF 1 D
MCST3:B	DF 1 D
MCST3:C	DF 0 D
MCST3:D	DF 0 D
MCST3:E	DF 1 D
MCST3:F	DF 1 D
MCST3:G	DF 1 D
MCST3:H	DF 2 E
MCST3:J	DF 2 D
MCSW2:E	BB 1 D
MCSW2:F	BB 1 D
MCSW2:G	BB 1 D
MCSW:A	BB 1 D
MCSW:B	BB 1 D
MCSW:C	BB 1 D
MCTL:A	FF 1 C
MCTL:B	FF 1 C
MCTLK1:C	AH 4 C
MCTLK2:C	AH 4 B
MCTR1:A	DB 3 B
MCTR1:B	BA 4 D
MCTR1:C	BA 4 E
MCTR1:D	DB 2 D
MCTR1:E	DB 2 E
MCTR1:F	GK 4 B
MCTR1:F	GK 2 B
MCTR1:G	GK 3 B
MCTR1:G	GK 3 E
MCTR2:1	DB 2 C
MCTR2:2	DB 2 C
MCTR2:3	DB 1 C
MCTR2:4	DB 1 C
MCTR2:5	DB 2 E
MCTR2:6	DB 2 D
MCTR2:7	DB 2 D
MCTR2:10	DB 2 C
MCTR2:11	DB 2 C
MCTR2:12	DB 2 C
MCTR2:13	DB 2 C
MCTR2:14	DB 2 C
MCTR3:1	DP 0 C
MCTR3:2	DA 1 C
MCTR3:3	AI 1 C
MCTR3:4	AI 1 C
MCTR3:5	DP 0 B

D

INLINE	PAGE
MCTR3:6	DP 0 C
MCTR3:7	DA 2 E
MCTR3:7	DA 3 D
MCTR3:9	XA 1 E
MCTR3:10	XA 1 D
MCTR3:11	XA 1 E
MCTR3:12	XA 1 D
MCTR3:13	DA 2 E
MCTR3:13	DA 3 D
MCTR3:14	DA 2 B
MCTR3:14	DA 3 D
MCTR4:1	DF 0 B
MCTR4:2	DE 1 C
MCTR4:3	DE 2 C
MCTR4:4	DE 2 C
MCTR4:5	DE 2 C
MCTR4:6	DE 2 C
MCTR4:7	DF 0 B
MCTR4:8	DE 2 C
MCTR4:9	DE 2 C
MCTR4:10	DE 2 C
MCTR4:11	DE 2 C
MCTR4:12	DE 3 C
MCTR4:13	DE 3 C
MCTR4:14	DE 0 C
MCTR5:1	DE 0 C
MCTR5:2	DE 0 C
MCTR5:3	DE 1 B
MCTR5:4	DE 1 C
MCTR5:5	DE 1 C
MCTR5:6	DE 0 C
MCTR5:7	DE 0 C
MCTR5:8	DE 1 C
MCTR5:9	DE 1 C
MCTR5:10	DE 1 C
MCTR5:11	DE 0 C
MCTR5:12	DE 0 C
MCTR5:13	DE 1 C
MCTR5:14	DE 1 C
MCTR6:A	AI 0 C
MCTR6:B	AI 0 C
MCTT:A	BE 4 E
MCVL2:A	BJ 0 C
MCVL2:A	BJ 2 C
MCVL2:B	BJ 0 C
MCVL2:B	BJ 3 C
MCVL2:C	BJ 1 C
MCVL2:C	BJ 3 C
MCVL2:D	BJ 1 C
MCVL2:D	BJ 3 C

E

INLINE	PAGE
MCVL:A	BE 2 B
MCVL:A	BG 0 B
MCVL:A	BJ 0 B
MCVL:B	BJ 0 C
MCVL:B	BJ 2 C
MCVL:C	BE 2 B
MCVL:C	BE 2 B
MCVL:C	BG 0 B
MCVL:C	BJ 0 B
MDCNG:A	BP 2 C
MDCNG:B	BP 2 C
MFA07A:1	KD 1 B
MFA07A:2	KD 1 B
MFA07A:3	BC 4 C
MFA07A:3	KA 1 B
MFA07A:3	KB 3 B
MFA07A:3	KC 1 B
MFA07A:4	BC 4 B
MFA07A:4	KA 1 B
MFA07A:4	KB 2 B
MFA07A:4	KC 1 B
MFA07A:6	BC 4 B
MFA07A:6	KA 1 B
MFA07A:6	KB 3 B
MFA07A:6	KC 1 B
MFA07A:7	BC 4 B
MFA07A:7	KA 1 B
MFA07A:7	KB 2 B
MFA07A:7	KC 1 B
MFA07A:8	BC 4 B
MFA07A:8	KA 2 C
MFA07A:8	KC 3 B
MFA07B:1	BC 4 B
MFA07B:1	KA 1 C
MFA07B:1	KB 3 C
MFA07B:1	KC 2 B
MFA07B:2	BC 4 B
MFA07B:2	KA 1 C
MFA07B:2	KB 3 C
MFA07B:2	KC 3 B
MFA07B:3	BC 4 B
MFA07B:3	KA 1 C
MFA07B:3	KB 3 C
MFA07B:3	KC 1 B
MFA07B:4	BC 4 C
MFA07B:4	KA 1 C
MFA07B:4	KB 3 C
MFA07B:4	KC 1 B
MFA07B:5	BC 4 C
MFA07B:5	KA 2 C

INLINE	PAGE
MFA07B:5	KB 3 C
MFA07B:5	KC 1 B
MFA07B:6	BC 4 C
MFA07B:6	KA 2 C
MFA07B:6	KB 3 C
MFA07B:6	KC 1 B
MFA07B:7	BC 4 C
MFA07B:7	KA 1 C
MFA07B:7	KB 2 C
MFA07B:7	KC 1 B
MFA07B:8	BC 4 C
MFA07B:8	KA 1 C
MFA07B:8	KB 2 C
MFA07B:8	KB 4 C
MFA07B:8	KC 2 B
MFMIC:1	KD 1 B
MFMIC:1	KD 3 B
MFMIC:2	KD 1 B
MFMIC:2	KD 3 B
MORM:A	CM 1 B
MORM:B	CM 0 C
OBTB:J:A	HD 3 C
OBTB:J:C	HD 3 E
OCPEN2:A	AF 4 D
OCPEN2:C	AF 4 D
OCPEN2:D	AF 4 D
OCFFC:A	AF 4 D
OCFFC:C	AF 4 D
OCFFC:D	AF 4 D
OCSW:A	AM 2 B
OCSW:B	AM 2 C
OCSW:C	AM 2 C
OCSW:D	AM 2 D
OFLJ:A	IA 1 B
OFLJ:B	IA 0 B
OFLJ:C	IA 0 B
OFRFJ:A	GC 1 C
OFRFJ:B	GC 1 D
OFSL:A	KC 2 D
OFSL:A	KG 2 D
OFSL:B	KC 2 D
OFSL:B	KG 2 D
OFSL:C	KC 2 D
OFSL:C	KG 2 D
OFSL:D	KC 2 D
OFSL:D	KG 2 D
OFSL:E	KC 2 D
OFSL:E	KG 3 D
OFSL:F	KC 3 D
OFSL:F	KG 3 D

A

B

C

D

E

VOLVO Group Trucks Technology

Document title
12V SCHEMATIC VOLVO

Document type
PRODUCT SCHEMATIC

Document No

21849527

Issue

09

Volume

2 (2)

Page

23 (43)

0

1

2

3

4

INLINES

INLINE	PAGE
OFSL:G	KC 3 D
OFSL:G	KG 3 C
OFSL:H	KC 3 D
OFSL:H	KG 3 D
OFSV1:1	GC 4 A
OFSV1:2	GC 4 B
OFSV2:1	GC 4 A
OFSV2:2	GC 4 A
OFSV3:1	GC 3 A
OFSV3:2	GC 3 B
OFSV:1	GC 3 C
OFSV:2	GC 3 D
OLHW:A	IB 4 D
OLHW:B	IB 4 D
OLMM:A	BG 0 B
OPT1:A	BG 2 C
OPT1:B	BG 2 C
OPT3:A	BI 3 A
OPT3:A	BM 4 A
OPT3:B	BI 3 A
OPT3:B	BM 4 A
OPT4:A	BE 3 D
OPT4:A	BE 1 D
OPT4:B	BE 3 D
OPT4:B	BE 1 D
OPT5:1	XB 0 A
OPT5:1	XB 0 B
OPT5:1	XB 0 B
OPT5:1	XB 0 C
OPT5:1	XB 0 C
OPT5:1	XB 0 D
OPT5:1	XB 1 B
OPT5:1	XB 0 E
OPT5:2	XB 0 B
OPT5:2	XB 0 A
OPT5:2	XB 0 B
OPT5:2	XB 0 C
OPT5:2	XB 0 C
OPT5:2	XB 1 B
OPT5:2	XB 0 E
OPT7:A	EH 3 B
OPT7:A	EH 3 B
OPT7:B	EH 2 B
OPT7:B	EH 2 B
OPT8:A	BD 2 D
OPT8:A	BD 2 D
OPT8:B	BD 2 D
OPT9:1	CK 4 A
OPT9:2	CK 4 B
OPT1587:A	XA 3 B

INLINE	PAGE
OPT1587:A	XA 3 B
OPT1587:B	XA 2 B
OPT1587:B	XA 2 B
OPT1587 12:A	BG 4 B
OPT1587 12:B	BG 4 B
OPT1587 13:A	BG 4 C
OPT1587 13:B	BG 4 C
OPT1587GO:A	XA 3 B
OPT1587GO:B	XA 2 B
OPT1587GOOC:A	BJ 1 B
OPT1587GOOC:A	BJ 4 C
OPT1587GOOC:B	BJ 1 A
OPT1587GOOC:B	BJ 4 C
PLSPO:A	GJ 1 D
PLSPO:A	GJ 1 E
PLSPO:B	GJ 1 C
PLSPO:B	GJ 1 C
PSOF2:A	KC 1 D
PSOF2:A	KG 1 D
PSOF2:B	KC 1 D
PSOF2:B	KG 1 D
PSOF2:C	KC 1 D
PSOF2:C	KG 1 D
PSOF2:D	KC 2 D
PSOF2:D	KG 2 D
PSOF2:E	KC 0 D
PSOF2:E	KG 0 D
PSOF2:F	KC 1 D
PSOF2:F	KG 1 D
PSOF2:G	KC 1 D
PSOF2:G	KG 1 D
PSOF2:H	KC 1 D
PSOF2:H	KG 1 D
PSOF:A	KC 2 C
PSOF:A	KG 2 C
PSOF:B	KC 2 C
PSOF:B	KG 2 C
PSOF:C	KC 2 C
PSOF:C	KG 2 C
PSOF:D	KC 3 C
PSOF:D	KG 3 C
PSOF:E	KC 1 C
PSOF:E	KG 1 C
PSOF:F	KC 1 C
PSOF:F	KG 1 C
PSOF:G	KC 1 C
PSOF:G	KG 1 C
PSOF:H	KC 1 C
PSOF:H	KG 1 C
PSOF:J	KC 0 C

INLINE	PAGE
PSOF:J	KG 0 C
PTBFO:A	JH 1 D
PTBFO:B	JH 1 D
PWDR:F	IA 4 A
R08Q:1	BG 4 A
R08Q:2	BG 4 B
R08QT:1	BG 4 B
R08QT:2	BG 4 B
R21 TGW OL:A	BJ 1 B
R21 TGW OL:B	BJ 1 B
RADLR:A	BB 1 B
RADLR:A	BB 2 B
RADLR:A	BB 2 B
RADLR:B	BB 1 B
RADLR:B	BB 2 B
RADLR:B	BB 2 B
RFJRF:A	GC 0 C
RFJRF:B	GC 0 D
RJMF:1	BC 3 B
RJMF:1	KA 1 D
RJMF:1	KB 3 C
RJMF:1	KC 2 B
RJMF:2	BC 3 B
RJMF:2	KA 1 D
RJMF:2	KB 3 C
RJMF:2	KC 3 B
RJMF:5	BC 3 B
RJMF:5	KA 1 D
RJMF:5	KB 3 C
RJMF:5	KC 1 B
RJMF:6	BC 3 C
RJMF:6	KA 1 D
RJMF:6	KB 3 C
RJMF:6	KC 1 B
RJMF:7	BC 3 C
RJMF:7	KA 1 B
RJMF:7	KB 3 B
RJMF:7	KC 1 A
RJMF:8	BC 3 B
RJMF:8	KA 1 B
RJMF:8	KB 2 B
RJMF:8	KC 1 A
RJMF:9	BC 3 C
RJMF:9	KA 2 D
RJMF:9	KB 3 C
RJMF:9	KC 1 B
RJMF:10	BC 3 C
RJMF:10	KA 2 D
RJMF:10	KB 3 C
RJMF:10	KC 1 B

INLINE	PAGE
RJMF:12	BC 3 B
RJMF:12	KA 1 B
RJMF:12	KB 3 B
RJMF:12	KC 1 A
RJMF:13	BC 3 C
RJMF:13	KA 1 D
RJMF:13	KB 2 C
RJMF:13	KC 1 B
RJMF:14	BC 3 C
RJMF:14	KA 1 D
RJMF:14	KB 2 C
RJMF:14	KC 2 B
RJMF:15	BC 3 B
RJMF:15	KA 1 B
RJMF:15	KB 2 B
RJMF:15	KC 1 A
RJMF:16	BC 3 B
RJMF:16	KA 2 D
RJMF:16	KB 4 C
RJMF:16	KC 3 B
RJMFA:1	KF 4 B
RJMFA:1	KG 0 C
RJMFA:2	KF 4 B
RJMFA:2	KG 0 C
RJMFA:3	KB 3 B
RJMFA:3	KC 1 A
RJMFA:3	KF 3 B
RJMFA:3	KG 1 B
RJMFA:4	KB 2 B
RJMFA:4	KC 1 A
RJMFA:4	KF 2 B
RJMFA:4	KG 1 B
RJMFA:6	KB 3 B
RJMFA:6	KC 1 A
RJMFA:6	KF 3 B
RJMFA:6	KG 1 B
RJMFA:7	KB 2 B
RJMFA:7	KC 1 A
RJMFA:7	KF 2 B
RJMFA:7	KG 1 B
RJMFA:8	KB 4 C
RJMFA:8	KC 3 C
RJMFA:8	KF 4 C
RJMFA:8	KG 3 C
RJMFB:1	KC 2 C
RJMFB:1	KF 3 C
RJMFB:1	KG 2 C
RJMFB:2	KB 3 C
RJMFB:2	KC 3 C

INLINE	PAGE
RJMFB:2	KF 3 C
RJMFB:2	KG 3 C
RJMFB:3	KB 3 C
RJMFB:3	KC 1 C
RJMFB:3	KF 3 C
RJMFB:3	KG 1 C
RJMFB:4	KB 3 C
RJMFB:4	KC 1 C
RJMFB:4	KF 3 C
RJMFB:4	KG 1 C
RJMFB:5	KB 3 C
RJMFB:5	KC 1 C
RJMFB:5	KF 3 C
RJMFB:5	KG 1 C
RJMFB:6	KB 3 C
RJMFB:6	KC 1 C
RJMFB:6	KF 3 C
RJMFB:6	KG 1 C
RJMFB:7	KB 2 C
RJMFB:7	KC 1 C
RJMFB:7	KF 2 C
RJMFB:7	KG 1 C
RJMFB:8	KB 2 C
RJMFB:8	KC 2 C
RJMFB:8	KF 2 C
RJMFB:8	KG 2 C
RRA07A:3	BC 3 C
RRA07A:4	BC 3 B
RRA07A:6	BC 3 B
RRA07A:7	BC 3 B
RRA07A:8	BC 3 B
RRA07B:1	BC 3 B
RRA07B:2	BC 3 B
RRA07B:3	BC 3 B
RRA07B:4	BC 3 C
RRA07B:5	BC 3 C
RRA07B:6	BC 3 C
RRA07B:7	BC 3 C
RRA07B:8	BC 3 C
RSCB:A	IG 2 C
RSCB:A	IG 3 C
RSCB:B	IG 2 D
RSCB:B	IG 3 D
RSOOF:A	GC 2 C
RSOOF:B	GC 1 C
RSOOF:C	GC 2 C
RSOOF:D	GC 1 C
RSOOF:E	GC 1 C
RWBOC:A	GH 3 B
RWBOC:A	GH 3 B

INLINE	PAGE
RWBOC:A	GH 2 B
RWBOC:A	GH 2 B
RWBOC:A	GH 2 B
RWBOC:B	GH 3 D
RWBOC:B	GH 2 D
RWBOC:B	GH 3 D
RWBOC:B	GH 2 C
RWBOC:B	GH 2 C
RWBOC:A	GG 1 B
RWBOC:B	GG 1 D
RWJRW:A	KB 1 D
RWJRW:A	KF 1 D
RWJRW:B	KB 1 D
RWJRW:B	KF 1 D
RWJRW:C	KB 1 D
RWJRW:C	KF 1 D
RWJRW:D	KB 1 D
RWJRW:D	KF 1 D
SA232A:A	JJ 1 B
SA232A:B	JJ 1 B
SA232A:C	JJ 1 B
SA232A:D	JJ 1 B
SA232A:E	JJ 1 B
SA232A:F	JJ 1 B
SA232A:G	JJ 2 B
SA232A:H	JJ 2 B
SA232A:J	JJ 2 B
SA232C:A	JJ 1 D
SA232C:B	JJ 1 D
SA232C:C	JJ 1 D
SA232C:D	JJ 1 D
SA232C:E	JJ 1 D
SA232C:F	JJ 1 D
SA232C:G	JJ 2 D
SA232C:H	JJ 2 D
SA232C:J	JJ 2 D
SCR EXT:1	CD 0 A
SCR EXT:2	CD 0 A
SCR EXT:4	CD 0 A
SCR EXT:5	CD 0 A
SCR EXT:6	CD 0 B
SCR EXT:7	CD 0 B
SCR EXT:8	CD 0 B
SCR EXT:9	CD 0 B
SCR EXT:10	CD 0 B
SCR EXT:11	CD 0 B
SCR EXT:12	CD 0 B
SLBOC:A	GH 0 B
SLBOC:A	GH 1 B
SLBOC:A	GH 1 B

0

1

2

3

4

INLINES

INLINE	PAGE
SLBOC:B	GH 1 D
SLBOC:B	GH 1 C
SLBOC:B	GH 0 C
SLCC:1	HJ 0 B
SLCC:3	HJ 0 B
SLCC:4	HJ 0 B
SLCC:5	HJ 0 B
SLCC:6	HJ 0 B
SLCC:7	HJ 0 B
SLCD:1	HJ 0 D
SLCD:2	HJ 0 D
SLCD:3	HJ 0 D
SLCO1:A	HJ 1 B
SLCO1:B	HJ 2 D
SLCO1:C	HJ 2 C
SLCO2:1	HJ 1 C
SLCO:1	HJ 1 D
SLMS:A	CM 2 D
SLMS:B	CM 2 D
SLMS:C	CM 2 D
SLMS:D	CM 1 D
SLOB:A	HD 4 C
SLOB:B	HD 3 C
SLOB:C	HD 1 B
SLOB:D	HD 2 B
SLOB:E	HD 1 B
SLOB:F	HD 2 D
SLOB:G	KB 1 B
SLOB:G	KF 1 B
SLOB:H	KB 1 B
SLOB:H	KF 1 B
SLOB:J	KB 0 B
SLOB:J	KF 0 B

INLINE	PAGE
SLOB:K	KB 0 B
SLOB:K	KF 0 B
SLRH:A	KC 4 D
SLRH:A	KG 4 D
SLRH:B	KC 4 D
SLRH:B	KG 4 D
SLRH:C	KC 4 D
SLRH:C	KG 4 D
SLRH:D	KC 4 D
SLRH:D	KG 4 D
SLRW:A	HE 4 B
SLRW:A	HH 4 B
SLRW:B	GH 2 B
SLRW:C	GH 2 D
SLSK:A	HE 0 B
SLSK:A	HH 0 B
SLSK:B	HE 1 E
SLSK:B	HH 1 E
SLSO3:A	HD 0 D
SLSO3:C	HD 0 D
SLVA:A	HE 3 B
SLVA:B	HE 3 B
SLVA:C	HE 3 C
SPJTTL:A	FC 3 D
SPJTTL:B	FD 1 C
SPJTTL:C	FC 3 C
SPJTTL:E	FD 3 C
SPJTTL:G	FF 2 C
SPJTTL:H	FC 3 C
SPJTTL:K	GQ 2 C
SPJTTL:L	FD 1 D
SPJTTL:M	FF 2 D
SPJTTL:N	GQ 2 C

INLINE	PAGE
SPJTTL:R	FC 2 D
SPJTTL:S	FD 3 D
SPJTTL:A	FC 2 D
SPJTTL:B	FD 2 C
SPJTTL:C	FC 1 C
SPJTTL:E	FD 3 C
SPJTTL:F	CH 3 C
SPJTTL:G	FB 1 D
SPJTTL:H	FC 2 C
SPJTTL:J	FB 0 D
SPJTTL:K	GQ 3 C
SPJTTL:L	FD 2 D
SPJTTL:M	FB 2 D
SPJTTL:N	GQ 3 C
SPJTTL:P	FB 2 D
SPJTTL:R	CH 3 D
SPJTTL:R	FB 1 D
SPJTTL:R	FC 1 D
SPJTTL:S	FD 3 D
TCEXT.A1:1	MB 0 B
TCEXT.A1:1	MB 0 C
TCEXT.A1:1	MC 1 A
TCEXT.A1:2	MB 0 B
TCEXT.A1:2	MB 0 C
TCEXT.A1:2	MC 1 A
TCEXT.A1:3	MB 0 B
TCEXT.A1:3	MB 0 C
TCEXT.A1:3	MC 0 A
TCEXT.A2:A	MB 1 B
TCEXT.A2:A	MB 1 C
TCEXT.A2:A	MC 1 A
TCEXT.A2:B	MB 0 B
TCEXT.A2:B	MB 0 C

INLINE	PAGE
TCEXT.A2:B	MC 1 A
TCEXT.A2:C	MB 0 B
TCEXT.A2:C	MB 0 C
TCEXT.A2:C	MC 1 A
TCEXT.A3:A	MB 0 B
TCEXT.A3:A	MB 0 C
TCEXT.A3:A	MC 0 A
TCEXT2.A1:1	MC 2 B
TCEXT2.A1:2	MC 2 C
TCEXT2.A1:3	MC 2 B
TCEXT2.A2:A	MC 2 C
TCEXT2.A2:B	MC 2 C
TCEXT2.A2:C	MC 2 C
TCEXT2.A3:A	MC 2 B
TCEXT3.A1:1	MC 2 E
TCEXT3.A1:2	MC 2 D
TCEXT3.A1:3	MC 2 E
TCEXT3.A2:A	MC 2 D
TCEXT3.A2:B	MC 2 D
TCEXT3.A2:C	MC 2 D
TCEXT3.A3:A	MC 2 E
TETL:A	GK 1 D
TETL:B	GF 0 B
TETL:C	GF 0 B
TETL:D	GF 0 B
TETL:E	GF 1 B
TGWQC:A	BJ 0 B
TGWQC:C	BJ 0 B
THSW:A	AF 4 E
THSW:B	AF 4 E
TRCU1:B	MC 3 A
TRCU1:C	MC 3 A
TRCU2:A	MC 3 A

INLINE	PAGE
TRCU2:B	MC 3 A
TRCU2:C	MC 3 A
TREA:1	CK 4 A
TREA:2	CK 4 B
VLBB1:A	BJ 0 E
VLBB1:A	BJ 3 E
VLBB1:B	BJ 1 E
VLBB1:B	BJ 3 E
VLBB1:C	BJ 1 E
VLBB1:C	BJ 3 E
VLBB1:D	BJ 1 E
VLBB1:D	BJ 3 E
VLBB1:E	BJ 1 E
VLBB1:E	BJ 3 E
VLBB1:F	BJ 1 E
VLBB1:F	BJ 3 E
VLBB1:G	BJ 1 E
VLBB1:G	BJ 3 E
VLQC:A	BE 3 B
VLQC:C	BE 2 B
Z02A:A	MB 4 B
Z02A:A	MC 4 C
Z02A:B	MB 4 B
Z02A:B	MC 4 B
Z02A:C	MB 4 B
Z02A:C	MC 4 B
Z02B:A	MB 4 B
Z02B:A	MC 4 B
Z02B:B	MC 4 B
Z02B:C	MB 4 B
Z02B:C	MC 4 B
Z02C:A	MB 4 B

INLINE	PAGE
Z02C:A	MC 4 C
Z03ASBBM:A	BN 0 D
Z03ASBBM:B	BN 0 D
Z03ASBBM:C	BN 0 D
Z03ASBBM:D	BN 0 D
Z03ASBBM:E	BN 0 D
Z03ASBBM:F	BN 1 D
Z03ASBBM:G	BN 1 D
Z03ASBBM:H	BN 1 D
Z03ASBBM:J	BN 1 D
Z03ASBBM:K	BN 1 D
Z03ASBBM:L	BN 1 D
Z03ASBBM:M	BN 1 D
Z03ASBBM:N	BN 1 D
Z03BALBBM:B	BN 2 D
Z03BALBBM:C	BN 3 D
Z03BALBBM:D	BN 3 D
Z03BALBBM:E	BN 3 D
Z03BALBBM:F	BN 3 D
Z03BALBBM:G	BN 3 D
Z03BALBBM:H	BN 3 D
Z03BALBBM:J	BN 3 D
Z03BALBBM:K	BN 3 D
Z03BALBBM:L	BN 4 D
Z03BALBBM:M	BN 4 D
Z03BALBBM:N	BN 4 D
Z03BALBBM:P	BN 4 D
Z03BALBBM:R	BN 4 D
Z03BALBBM:S	BN 4 D

0

1

2

3

4

SPLICES

SPLICE	PAGE
SP35A1 (S)	DB 3 C
SP1587HN5 (S)	BG 4 C
SP1587LN5 (S)	BG 4 C
SP1939HN5 (S)	BG 4 B
SP1939LN5 (S)	BG 4 B
SPAD1A1 (T)	ED 2 C
SPAD4A1 (T)	ED 2 B
SPAD7A1 (S)	ED 1 C
SPAD8A1 (S)	ED 1 C
SPAD10A1 (S)	ED 1 C
SPAD11A1 (S)	ED 1 C
SPAUX (S)	MC 3 C
SPAUXBL (S)	MC 1 C
SPB22A ()	BA 4 A
SPB22B ()	BA 4 B
SPC03C1 (T)	IC 2 D
SPC15JA3 (S)	AF 0 B
SPCA1A1 (T)	AH 1 C
SPCA2A1 (T)	AH 1 C
SPCA3A2 (T)	AH 1 B
SPCB5A1 (T)	AH 2 C
SPCB10A1 (S)	AI 4 B
SPCB11A1 (S)	AH 3 C
SPCB11A2 (S)	AH 3 C
SPCB11B5 ()	FF 2 E
SPCB19A1 (T)	AI 3 B
SPCB22B1 (S)	AI 4 B
SPCBV03A (S)	IA 3 C
SPCBV04A (S)	CM 0 D
SPCBV04B (S)	CM 0 C
SPCBV03B (S)	IA 4 C
SPCLRSB (S)	MC 1 B
SPDL1H (S)	XD 1 C
SPDL1H1 (S)	XD 2 C
SPDL1H2 (S)	XD 3 C
SPDL1H3 (S)	XE 1 B
SPDL1H4 (S)	XE 3 B
SPDL1H12 (S)	JG 1 C
SPDL1HB1 (S)	XB 1 C
SPDL1HB2 (S)	XB 1 C
SPDL1HB3 (S)	XB 2 C
SPDL1HB4 (S)	XB 3 C
SPDL1HB5 (S)	XA 3 D
SPDL1HB5 (S)	XF 2 C
SPDL1HB8 (S)	CC 0 C
SPDL1HB8 (S)	CN 0 C
SPDL1HB10 (S)	EB 0 A
SPDL1HB10 (S)	EH 0 A
SPDL1HB11 (S)	BC 2 D
SPDL1HB12 (S)	XB 2 B

SPLICE	PAGE
SPDL1HB14 (S)	XB 2 B
SPDL1HB21 (S)	XB 2 C
SPDL1HN4 (S)	XF 2 B
SPDL1HN6 (S)	XB 2 B
SPDL1HN11 (S)	BI 2 E
SPDL1HN11 (S)	BM 3 A
SPDL1L (S)	XD 1 C
SPDL1L1 (S)	XD 2 C
SPDL1L2 (S)	XD 3 C
SPDL1L3 (S)	XE 1 B
SPDL1L4 (S)	XE 3 B
SPDL1L12 (S)	JG 1 C
SPDL1LB1 (S)	XB 1 C
SPDL1LB2 (S)	XB 1 C
SPDL1LB3 (S)	XB 2 C
SPDL1LB4 (S)	XB 3 C
SPDL1LB5 (S)	XA 3 D
SPDL1LB5 (S)	XF 2 C
SPDL1LB8 (S)	CC 0 C
SPDL1LB8 (S)	CN 0 C
SPDL1LB10 (S)	EB 0 A
SPDL1LB10 (S)	EH 0 A
SPDL1LB11 (S)	BC 2 D
SPDL1LB12 (S)	XB 2 D
SPDL1LB14 (S)	XB 2 D
SPDL1LB21 (S)	XB 2 C
SPDL1LN4 (S)	XF 3 B
SPDL1LN6 (S)	XB 2 D
SPDL1LN11 (S)	BI 2 B
SPDL1LN11 (S)	BM 3 A
SPDL2H1 (S)	XA 0 D
SPDL2H4 (S)	XA 2 D
SPDL2H4 (S)	XF 3 C
SPDL2H6 (S)	XA 1 E
SPDL2H8 (S)	DF 1 D
SPDL2H9 (S)	DF 1 D
SPDL2H12 (S)	BJ 1 C
SPDL2H13 (S)	BJ 1 C
SPDL2L1 (S)	XA 0 D
SPDL2L4 (S)	XA 2 D
SPDL2L4 (S)	XF 3 C
SPDL2L6 (S)	XA 1 D
SPDL2L8 (S)	DF 1 D
SPDL2L9 (S)	DF 1 E
SPDL2L12 (S)	BJ 1 C
SPDL2L13 (S)	BJ 1 B
SPDL3HN17 (S)	XC 1 C
SPDL3HN17A (S)	KH 3 B
SPDL3LB16 (S)	HB 4 B
SPDL3LB16 (S)	HD 4 B

SPLICE	PAGE
SPDL3LB16 (S)	HE 4 B
SPDL3LB16 (S)	HH 4 B
SPDL3LB16 (S)	XC 1 B
SPDL3LB17 (S)	XC 3 C
SPDL3LN17 (S)	XC 1 C
SPDL4HB4 (S)	BI 3 B
SPDL4HB4 (S)	BM 4 B
SPDL4HN1 (S)	XA 3 B
SPDL4HN4 1 (S)	BJ 1 A
SPDL4HN4 3 (S)	BJ 4 C
SPDL4HN4 4 (S)	BD 2 C
SPDL4HN4 5 (S)	BE 3 D
SPDL4HN4 6 (S)	BG 1 C
SPDL4HN4 7 (S)	EB 2 C
SPDL4HN4 7 (S)	EH 2 C
SPDL4HN4 8 (S)	BE 1 D
SPDL4LB4 (S)	BI 3 B
SPDL4LB4 (S)	BM 4 B
SPDL4LN1 (S)	XA 3 B
SPDL4LN4 1 (S)	BJ 1 B
SPDL4LN4 3 (S)	BJ 4 C
SPDL4LN4 4 (S)	BD 2 C
SPDL4LN4 5 (S)	BE 2 D
SPDL4LN4 6 (S)	BG 1 C
SPDL4LN4 7 (S)	EB 3 C
SPDL4LN4 7 (S)	EH 3 C
SPDL4LN4 8 (S)	BE 0 D
SPDL7H1 (S)	CK 1 B
SPDL7H2 (S)	CD 3 C
SPDL7H3 (S)	CD 3 B
SPDL7H3 (S)	CP 3 B
SPDL7HB5 ()	CD 3 D
SPDL7HB7 ()	CD 3 D
SPDL7L1 (S)	CK 1 B
SPDL7L2 (S)	CD 3 C
SPDL7L3 (S)	CD 2 B
SPDL7L3 (S)	CP 3 B
SPDL7LB5 ()	CD 3 D
SPDL7LB7 ()	CD 3 D
SPDL10HB1 (S)	XF 1 B
SPDL10HB3 (S)	XF 2 C
SPDL10LB1 (S)	XF 1 B
SPDL10LB3 (S)	XF 2 C
SPDLA186AEA1 (S)	HJ 1 C
SPDLA186AFA1 (S)	HJ 1 C
SPDLB11A (S)	JH 2 E
SPDLB11A2 (S)	JH 3 E
SPDLHB11A (S)	JH 2 D
SPDLHB11A2 (S)	JH 2 D
SPEC3 (S)	CD 1 C

SPLICE	PAGE
SPEC3 (S)	CP 1 C
SPEC3A3 ()	CD 3 D
SPEC8 (S)	CC 1 D
SPEC8 (S)	CN 1 D
SPEC8A3 ()	CD 3 D
SPEC32 (S)	CC 1 D
SPEC32 (S)	CN 1 D
SPEC38 (S)	CD 1 C
SPEC38 (S)	CP 1 C
SPEC39 (S)	CD 2 C
SPEC39 (S)	CP 2 C
SPEC40 (S)	CD 1 C
SPEC40 (S)	CP 1 C
SPEC40 (S)	CC 2 D
SPEC57 (S)	CC 0 D
SPEC57 (S)	CN 0 D
SPEC62 (S)	CC 3 D
SPEC62 (S)	CN 3 D
SPEC84A (S)	CD 1 D
SPEC84A (S)	CP 1 D
SPEC84A2 (S)	CD 1 D
SPEC84A2 (S)	CP 1 D
SPECHA1 (S)	CL 1 D
SPEMA32A1 (S)	CK 3 D
SPEMA44A2 (S)	CK 2 D
SPEMA49A (S)	CK 2 C
SPEMA54A1 (S)	CK 1 D
SPEMA59A1 (S)	CK 3 D
SPF02A1 (T)	KC 0 B
SPF02A1 (T)	KG 0 B
SPF02A2 ()	KC 0 C
SPF02A2 ()	KG 0 C
SPF03A1 ()	IC 1 B
SPF08A4 (T)	CM 2 C
SPF12A1 (T)	XF 2 C
SPF13A (S)	BJ 0 C
SPF14B1 (T)	EB 3 C
SPF14B1 (T)	EH 3 C
SPF14C1 ()	GJ 1 C
SPF15C1 (T)	AB 1 C
SPF15D1 (S)	AB 0 B
SPF15D2 (S)	BJ 0 C
SPF15D5 (T)	XF 3 D
SPF15D10 (T)	BA 0 C
SPF15E1 (S)	AB 0 B
SPF15MA1 (S)	DB 2 A
SPF15P1 (T)	AI 0 B
SPF19A1 (T)	DA 1 A
SPF20A1 (T)	BA 0 B
SPF20A1 (T)	KA 1 B

SPLICES

SPLICE	PAGE
SPF20A1 (T)	KB 2 A
SPF20A1 (T)	KC 1 A
SPF20A1 (T)	KE 0 B
SPF20A1 (T)	KF 2 A
SPF20A1 (T)	KG 1 A
SPF25A1 (T)	IB 2 C
SPF26A1 (T)	GP 0 C
SPF26E1 (T)	GP 1 C
SPF30B1 ()	GI 2 C
SPF31B1 ()	FF 2 C
SPF31C1 ()	IB 3 B
SPF34A1 (T)	DP 2 B
SPF34C1 (S)	DP 1 C
SPF34C2 ()	DP 3 B
SPF34E1 (S)	DP 2 C
SPF35A1 (T)	DF 1 C
SPF42A1 (NS)	IG 3 B
SPF50A1 (NS)	HE 0 C
SPF50A1 (NS)	HH 0 C
SPF51A1 (T)	HA 0 B
SPF52A3 ()	BG 0 B
SPF55B2 ()	GC 0 C
SPF56A1 (T)	CM 0 B
SPF56A3 (T)	CM 1 E
SPF57A1 ()	JJ 1 C
SPF58A1 (T)	GA 1 B
SPF60A1 (NS)	HB 3 B
SPF62C1 (S)	GK 1 D
SPF62F1 (S)	BH 1 B
SPF63A1 (T)	FC 1 B
SPF63G1 ()	FB 1 B
SPF67A1 (T)	EB 3 B
SPF67A1 (T)	EH 3 B
SPF67A1 (T)	JE 0 B
SPF67A2 (S)	JE 0 C
SPF68A1 (T)	DA 1 C
SPF69A1 (S)	DA 2 B
SPF69A2 (S)	DA 3 D
SPF77A1 (T)	IG 0 C
SPF78A1 (T)	IA 2 B
SPF78A4 ()	IA 0 D
SPF78B1 (T)	IA 0 C
SPF78D1 (T)	IA 3 C
SPF78V01A (S)	IA 2 D
SPF78V01B (S)	IA 2 D
SPF79A1 (T)	IG 2 B
SPF80A1 (NS)	IG 4 B
SPF81A2 ()	NA 1 B
SPF81A8 ()	NA 3 B
SPF81D1 (S)	IH 1 B

SPLICE	PAGE
SPF81D2 (S)	IH 1 B
SPF81D3 (S)	IH 3 B
SPFB01C1 (NS)	HD 3 D
SPFB01C2 (NS)	HE 2 B
SPFB02A1 (NS)	HD 2 B
SPFB07A1 (NS)	HD 2 C
SPFB07B1 (NS)	HD 3 B
SPFB07B1_1 (NS)	HH 3 B
SPFB08A1 (S)	CM 3 C
SPFE4A (S)	CD 3 B
SPFE4A1 (S)	AG 2 C
SPFE4A2 ()	CD 3 D
SPFE5A4 (S)	BP 2 D
SPFE6A1 (T)	AG 0 C
SPFE7A1 (T)	BM 2 B
SPFE9A (S)	CB 2 B
SPFE11A1 (T)	EA 2 B
SPFE11A1 (T)	EC 2 B
SPFE11A1 (T)	EG 2 B
SPFE12A1 (S)	CE 2 C
SPFE13A1 ()	FA 1 B
SPFE13A2 ()	FA 1 B
SPFE13A3 ()	FA 1 C
SPFE13A6 ()	FA 3 C
SPFE14A1 (S)	FG 0 C
SPFE14A2 (S)	FG 2 C
SPFE15R1 (S)	BP 2 C
SPFE17B (S)	CP 3 C
SPFE18A (S)	CC 1 B
SPFE18A1 (S)	CC 3 D
SPFE18A1 (S)	CN 3 D
SPFE18B (S)	CN 1 C
SPFE18B1 (S)	CL 3 B
SPFE19A (S)	DF 0 C
SPFE22A1 (S)	CL 3 B
SPFFB06A1 (NS)	HJ 1 C
SPFM01A1 (S)	AB 3 A
SPFM01C1 (S)	AB 3 B
SPFM01C2 (S)	AB 3 B
SPFM01C6 (S)	AA 1 B
SPFM01E1 (S)	AA 2 D
SPFM01F1 (S)	AA 2 C
SPFM01H1 (S)	AB 2 D
SPFT0A2 (S)	DB 1 D
SPFT01A1 (S)	CK 0 C
SPFT02A1 (S)	DB 1 C
SPFT02A3 (S)	DB 1 D
SPFT02A4 (S)	DB 0 D
SPFT02AA1 (S)	DB 1 D
SPFT02AA2 (S)	DB 1 C

SPLICE	PAGE
SPFT3A1 ()	AM 2 C
SPG01A4 (S)	AM 3 D
SPGB12A1 (NS)	HB 2 C
SPGND (S)	MC 3 C
SPGNDW (S)	MC 0 B
SPHA12A1 (S)	BA 2 E
SPHA12A9 (S)	BA 3 E
SPHA12A15 (S)	BB 3 C
SPHC11A1 (S)	BB 2 C
SPHC11A2 (S)	BB 3 C
SPLB1A1 (T)	KC 2 C
SPLB1A1 (T)	KG 2 C
SPLB2A1 (T)	KC 3 C
SPLB2A1 (T)	KG 3 C
SPLB3A1 (T)	KB 2 D
SPLB3A1 (T)	KF 2 D
SPLB3BB1 (T)	JH 4 D
SPLB4A1 (T)	KB 3 D
SPLB4A1 (T)	KF 3 D
SPLB5A1 (T)	KB 4 D
SPLB5A1 (T)	KF 4 D
SPLB6A1 (T)	KB 4 D
SPLB6A1 (T)	KF 4 D
SPLB7A1 (T)	KG 2 C
SPLB8A1 (T)	KG 2 C
SPLB8A1 (T)	KC 2 C
SPLC1A1 (CRIMP SPLICE)	BE 3 D
SPLTY (S)	MC 1 C
SPM2A1 (T)	BM 2 C
SPMA18A1 (T)	BI 0 D
SPMA18A1 (T)	BM 1 C
SPMB5A1 (T)	BI 0 B
SPMRKBN (S)	MC 1 C
SPN58A2 (S)	DE 2 D
SPN103A1 (T)	DF 2 D
SPN112A1 (S)	DE 3 C
SPN117A1 (T)	DF 3 D
SPN131A1 (S)	DE 1 D
SPN158A1 (T)	DE 2 C
SPNA16 (S)	DA 3 A
SPNA19A1 (S)	DA 4 D
SPPA4B1 (S)	MA 4 B
SPPA7A1 ()	GE 2 C
SPPA1A2 ()	GE 3 C
SPPA10A1 (S)	GA 2 D
SPPA10A2 ()	GD 3 B
SPPA10A3 (S)	GF 1 C
SPPA10A5 ()	GF 3 D
SPPA13A1 ()	GF 3 D

SPLICE	PAGE
SPPA17A1 ()	GC 2 C
SPPA17A7 ()	GC 3 C
SPPC11A1 (T)	GP 0 D
SPPD1A1 ()	GE 1 C
SPPD1A2 ()	GE 2 C
SPPD4A1 (T)	GA 2 D
SPPD4A3 (S)	GD 1 B
SPPD4A6 (S)	GD 3 C
SPPD4A7 (S)	GD 1 C
SPPD4A9 ()	BC 3 D
SPPD7A1 ()	GG 3 C
SPPD7A1 ()	GH 3 B
SPPD8A1 (T)	GB 1 B
SPPD8AJ2 (T)	EH 4 B
SPPD8C1 ()	DP 3 B
SPPD16B1 (S)	MA 3 B
SPPD17A1 ()	IE 2 B
SPPD18A1 ()	GI 1 C
SPRA7A1 (T)	EB 1 D
SPRA7A1 (T)	EH 1 E
SPRA30A1 (T)	EH 1 D
SPRTGN (S)	MC 1 C
SPSTOPRD (S)	MC 0 B
SPUGG06F (S)	HJ 2 B
SPX01 (S)	AF 0 C
SPX01_A (S)	AN 3 C
SPX01_B (S)	AL 1 C
SPX01A1 (S)	AC 0 D
SPX01A1 (S)	AE 2 E
SPX01A1 (S)	CD 4 B
SPX01A1 (S)	CK 4 D
SPX01A1 (S)	CP 3 C
SPX01A1 (S)	DA 4 B
SPX01A1 (S)	DB 3 B
SPX01A1 (S)	DF 0 B
SPX01A1 (S)	FG 0 E
SPX01A1 (S)	JF 3 B
SPX01A2 (S)	CK 4 D
SPX01A3 (S)	AG 1 D
SPX01A3 (S)	CB 1 D
SPX01A12 (S)	BP 2 D
SPX01A20 (S)	AE 2 D
SPX01A20 (S)	FC 3 E
SPX01A20 (S)	FD 1 E
SPX01B1 (S)	AE 2 C
SPX01B1_A (S)	AN 3 C
SPX01B_2 (S)	AN 1 C
SPX01BA1 (S)	AE 3 C
SPX01BA1 (S)	AN 1 C

SPLICES

SPLICE	PAGE
SPX01D1 (S)	AE 1 C
SPX01D1 (S)	AN 0 C
SPX01D1 B (S)	AL 1 C
SPX01DA1 (S)	AE 2 D
SPX01DA1 (S)	CE 2 D
SPX01DA1 (S)	EB 0 E
SPX01DA1 (S)	EC 3 E
SPX01DA1 (S)	EG 3 E
SPX01DA1 (S)	EH 0 E
SPX01DA1 (S)	FA 0 E
SPX01DA1 (S)	GD 1 D
SPX01DA1 (S)	GE 3 D
SPX01DA1 (S)	GF 1 A
SPX01DA1 (S)	GP 3 D
SPX01DA1 (S)	HJ 2 E
SPX01DA1 (S)	JE 1 D
SPX01DA4 (S)	AE 2 D
SPX01DA4 (S)	CH 2 D
SPX01DA4 (S)	FB 2 E
SPX01DA4 (S)	FC 1 E
SPX01DA4 (S)	FD 2 E
SPX01DA5 (S)	GF 1 D
SPX01DA5A1 (S)	GF 1 B
SPX01DA7 ()	GF 3 E
SPX01DA12 ()	FA 3 D
SPX01DA14 ()	FA 1 C
SPX01DA21 (S)	GP 3 C
SPX01DA25 (S)	GD 3 D
SPX01DA26 (S)	GD 1 D
SPX01DA27 (S)	GD 0 D
SPX01DA31 ()	GE 2 C
SPX01DA32 ()	GE 3 C
SPX01FA1 (S)	DB 0 C
SPX01FA2 (S)	DB 0 C
SPX01FA3 (S)	DB 0 D
SPX02CA1 (S)	HA 1 D
SPX02CA3 (S)	CC 4 D
SPX02CA3 (S)	CN 4 D
SPX02CA4 ()	DP 2 D

SPLICE	PAGE
SPX03BA1 (S)	DF 0 C
SPX03CA1 (S)	AE 3 D
SPX03CA1 (S)	GP 2 E
SPX03CA1 (S)	GQ 1 E
SPX03D100 ()	GC 0 D
SPX03DA1 (S)	AE 3 C
SPX03DA3 (S)	AE 3 C
SPX03DA3 (S)	AH 4 E
SPX03DA3 (S)	BA 0 E
SPX03DA3 (S)	GA 0 D
SPX03DA3 (S)	GB 3 E
SPX03DA3 (S)	GG 1 E
SPX03DA3 (S)	JD 3 E
SPX03DA3 (S)	XA 2 E
SPX03DA11 (T)	XA 2 E
SPX03DA11 (T)	XF 3 D
SPX03DA14 ()	AE 4 E
SPX03DA14 ()	IA 1 E
SPX03DA14 ()	IC 2 E
SPX03DA14 ()	IF 1 E
SPX03DA111 (CRIMP SPLICE)	BE 3 C
SPX03EA1 (S)	AE 3 D
SPX03EA1 (S)	AJ 0 D
SPX03EA1 (S)	BH 0 D
SPX03EA1 (S)	BI 0 E
SPX03EA1 (S)	BM 1 E
SPX03EA1 (S)	IG 3 E
SPX03EA1 (S)	NA 0 E
SPX03EA5 (S)	EA 4 C
SPX03EA5 (S)	EC 4 C
SPX03EA5 (S)	EG 4 E
SPX03EA19 (T)	BI 1 E
SPX03EA19 (T)	BM 2 E
SPX03FA1 (S)	AE 3 E
SPX03FA1 (S)	AH 0 E
SPX03FA1 (S)	GA 1 E
SPX03FA1 (S)	GG 1 E
SPX03FA1 (S)	GH 0 E
SPX03FA1 (S)	HA 1 E

SPLICE	PAGE
SPX03FA1 (S)	IE 2 E
SPX03FA3 ()	IA 3 D
SPX03FA03 ()	IB 3 D
SPX03FA3 1 ()	IA 3 B
SPX03FA7 (T)	EB 4 C
SPX03FA7 (T)	BH 4 C
SPX03FA9 ()	GI 1 D
SPX03FA9 ()	GJ 2 E
SPX03FA12 ()	NA 2 C
SPX03FA20 (S)	HA 1 C
SPX03FA22 (S)	AE 4 D
SPX03FA22 (S)	HB 0 E
SPX03FA22 (S)	HD 0 E
SPX03FA22 (S)	HE 2 E
SPX03FA22 (S)	HH 2 E
SPX03FA23 (T)	JG 2 C
SPX03FA24 (S)	AE 3 A
SPX03FA24 (S)	GA 2 E
SPX03FA24 (S)	IE 2 E
SPX03FA24 (S)	IG 0 E
SPX03FA25 ()	IA 3 E
SPX03FA26 (T)	JH 0 C
SPX03FA27 ()	AE 3 B
SPX03FA27 ()	GC 2 D
SPX03FA27 ()	IA 0 E
SPX03FA27 ()	IG 2 D
SPX03FA27 ()	KC 3 E
SPX03FA27 ()	KG 3 E
SPX03FA28 ()	AE 2 A
SPX03FA28 ()	IA 3 E
SPX03FA28 ()	IC 3 E
SPX03FA28 ()	IF 2 E
SPX03FA33 ()	GJ 1 D
SPX03FA37 ()	GG 3 D
SPX03FA37 ()	GH 3 C
SPX03FA39 (NS)	GH 0 D
SPX03FA39 1 (NS)	GH 2 D
SPX03FA43 ()	IE 2 D
SPX03FA52 (NS)	HB 2 D

SPLICE	PAGE
SPX03FA55 (NS)	HD 1 D
SPX03FA55 (NS)	HE 1 C
SPX03FA55 (NS)	HH 1 D
SPX03FA56 (NS)	HD 2 D
SPX03FA60 (NS)	HE 2 C
SPX03FA61 (NS)	HH 2 C
SPX03FA62 ()	HE 3 C
SPX03FA73 (NS)	HD 3 D
SPX03FA87 (S)	DF 3 A
SPX03FA88 ()	GC 3 D
SPX03FA90 ()	NA 1 C
SPX03FA106 (NS)	HE 1 D
SPX03FA106 (NS)	HH 1 D
SPX03FA203 ()	JJ 1 C
SPX03FD1 ()	DP 3 C
SPX03FG1 ()	IA 4 D
SPX03FH1 (NS)	HD 2 D
SPX03G (T)	DA 2 D
SPX03GA1 (S)	DA 4 B
SPX03GA4 (S)	DA 1 C
SPX04BA1 (S)	EB 2 A
SPX04BA1 (S)	EH 1 A
SPX04CA1 (S)	GI 2 D
SPX04EA1 (S)	IH 1 D
SPX04EA2 (S)	IH 1 C
SPX04EA3 (S)	IH 3 C
SPX4FA1 (S)	DB 0 C
SPX06BA1 (S)	KA 3 D
SPX06BA1 (S)	KE 3 D
SPX06DA1 ()	BG 0 D
SPX06HA (S)	BJ 0 C
SPX09A9 ()	CD 3 D
SPX16AB (T)	CM 1 C
SPXA170 (NS)	HJ 0 D
SPXB300BA (S)	CM 2 E
SPXC1F6 (S)	BB 4 C
SPXC1G4A1 (S)	CL 3 B
SPXD10D (S)	AL 2 C
SPXH16AB2 (NS)	CM 2 D

0

1

2

3

4

SHELLS

REF	PAGE
	AB 3 E
	DA 1 A
	DB 3 A
	DF 1 A
A03A	BA 0 D
A03B	BA 2 C
A03C	BB 0 C
A03S	BD 1 B
A04	HD 1 B
A04	HE 1 C
A04	HH 1 C
A04A	HE 1 D
A04A	HH 1 D
A07A	BC 4 B
A07A	KA 0 C
A07A	KB 2 C
A07A	KC 0 B
A07A	KD 1 B
A07A	XC 4 D
A12A	EA 0 C
A12B	EC 0 C
A12B	ED 0 A
A12B	EG 0 C
A13B	DA 3 D
A13E	DA 2 B
A14C	CC 0 D
A14C	CD 0 E
A14D	CN 0 D
A14D	CP 0 E
A15	JA 1 C
A16	EB 0 C
A16	EH 0 C
A17	AG 1 C
A17	AH 0 D
A17	AI 0 A
A17	AJ 1 C
A19E	DF 0 E
A27	GA 4 C
A27	GB 1 C
A27	GG 0 A
A27	GK 0 A
A27	IE 2 A
A34	HA 2 B
A36	BI 0 C
A36	BM 1 C
A38	BE 0 C
A38A	BG 0 C
A46	HB 4 B
A46	HD 3 A
A46	HE 3 A

REF	PAGE
A46	HH 3 A
A46	XC 2 B
A48	KC 0 C
A48	KG 0 C
A51	JF 2 C
A55A	DB 1 D
A56	KC 0 C
A56	KG 0 C
A57A	DE 0 A
A57A	DF 0 C
A58A	DE 0 D
A60	JG 1 B
A61A	HJ 4 D
A70A	DB 0 C
A72	AA 2 C
A72	HB 2 D
A80	FA 1 C
A102A	BJ 2 D
A102B	BJ 0 D
A109	DA 1 C
A131A	HJ 4 B
A132	FG 0 C
A132B	FG 2 C
A137	CK 0 C
A138	CK 1 E
A138A	CC 1 C
A147	BP 2 D
A148	IB 3 C
A158	KD 3 C
A158	KE 0 C
A158	KF 2 C
A158	KG 1 B
A158	KH 1 C
A158A	XC 0 B
A170	HJ 0 B
A186	HJ 0 C
A225	AB 4 D
A232	JH 2 B
B06	AI 1 C
B06A	BA 3 D
B06AP	BA 2 D
B06B	BA 3 D
B07	BA 3 D
B09	BA 4 D
B13	EA 1 B
B13	EC 2 B
B13	EG 2 B
B14	EA 1 B
B14	EC 1 B
B14	EG 1 B

REF	PAGE
B15	EA 0 D
B15	EC 0 B
B15	EG 0 B
B16	EA 1 D
B16	EC 4 D
B16	EG 4 D
B17	EA 2 D
B17	EC 1 D
B17	EG 1 D
B18	EA 3 D
B18	EC 2 D
B18	EG 2 D
B22A	BA 3 A
B22A S	BA 4 A
B22B	BA 3 A
B22C	CC 3 D
B22C	CN 3 D
B25A	AI 1 D
B30A	EB 2 E
B30A	EH 2 E
B38RC	BB 3 D
B38RF	BB 3 D
B38RR	BB 4 D
B39	BB 0 B
B49	ED 1 D
B50	ED 2 D
B55A	EB 0 D
B55A	EH 0 D
B55B	EH 1 D
B56	BA 3 B
B58A	EB 1 D
B58A	EH 1 D
B58R	BA 2 D
B59	HA 2 B
B60A	KA 2 E
B60A	KB 3 E
B60A	KC 1 E
B60A	KE 2 E
B60A	KF 3 E
B60A	KG 1 E
B60B	KA 2 E
B60B	KB 2 E
B60B	KC 2 E
B60B	KE 1 E
B60B	KF 2 E
B60B	KG 2 E
B60C	KA 1 E
B60C	KB 4 E
B60C	KC 0 E
B60C	KE 0 E

REF	PAGE
B60C	KF 4 E
B60C	KG 0 E
B60D	KA 1 E
B60D	KB 2 E
B60D	KC 0 E
B60D	KE 1 E
B60D	KF 2 E
B60D	KG 0 E
B60E	KB 0 D
B60E	KF 0 D
B60F	KB 0 D
B60F	KF 0 D
B60G	KC 2 D
B60G	KG 2 D
B60G 1	JE 0 E
B60H	KC 2 D
B60H	KG 2 D
B60H 1	KG 2 E
B60I	KC 2 D
B60I	KG 3 E
B60J	KB 1 E
B60J	KF 1 E
B60K	KB 1 E
B60K	KF 1 E
B60L H2	KB 1 B
B60L H2	KF 1 B
B60L H4	KB 1 C
B60L H4	KF 1 C
B60M H2	KB 0 B
B60M H2	KF 0 B
B60M H4	KB 0 C
B60M H4	KF 0 C
B60N	KC 4 D
B60N	KG 4 D
B60P	KC 4 D
B60P	KG 4 D
B60R	KC 4 B
B60R	KG 4 B
B60S	KC 4 B
B60S	KG 4 B
B61A	KA 2 E
B61A	KB 3 E
B61A	KC 0 E
B61A	KE 2 E
B61A	KF 3 E
B61A	KG 0 E
B61B	KA 1 E
B61B	KB 2 E
B61B	KC 1 E
B61B	KE 1 E

REF	PAGE
B61B	KF 2 E
B61B	KG 1 E
B62	KC 0 C
B62	KG 0 C
B63	KD 2 D
B64A	JH 4 D
B64B	JH 4 D
B68	AI 0 D
B68	CC 2 C
B68	CL 1 B
B68	CN 2 C
B68_B	AI 1 E
B78	JF 1 C
B80	CA 1 E
B82A	JE 0 D
B96	CK 3 B
B96B	CK 2 E
B105A	DE 3 D
B121	GP 3 B
B122A	CL 2 E
B122B	CL 2 E
B123	CB 2 D
B123A	CB 3 D
B123A	CL 2 E
B123B	CC 1 C
B123B	CN 1 C
B142B	CC 3 C
B142C	CD 3 B
B142C	CK 1 B
B142C	CP 3 A
B152	ED 2 C
B153	ED 3 C
B164L	KE 4 C
B177	ED 3 B
B185A	CL 1 D
B300B	CM 3 D
B300C	CM 2 D
B310	CK 2 B
B319	CM 1 D
B319_B	CM 2 D
E05A	GG 1 C
E05A	GH 1 C
E05B	GG 2 C
E05B	GH 0 C
E05C	GG 2 C
E05C	GH 1 C
E05D	GG 3 C
E05D	GH 0 C
E05E	GG 3 C
E05E	GH 1 C

REF	PAGE
E05F	GG 3 C
E05F	GH 2 C
E05K	GG 2 C
E06	GK 1 E
E06LED	GK 1 E
E07L	GE 2 C
E07R	GE 3 C
E08L	GE 3 C
E08R	GE 3 C
E10	GF 3 B
E10LA	GF 0 C
E10RA	GF 1 C
E11L	GA 1 D
E11L	IE 2 C
E11R	GA 2 D
E11R	IE 2 C
E12A	GC 1 D
E12B	GC 1 D
E12C	GC 2 D
E12D	GC 2 D
E12E	GC 2 D
E13L	GD 1 C
E13R	GD 1 C
E14L	GJ 1 D
E14R	GJ 1 D
E16L	IA 1 D
E16R	IA 1 D
E17C	HE 3 D
E17C	HH 4 B
E17C H2	HD 3 C
E17C H4	HD 3 C
E17D	HE 4 C
E17L	IA 0 D
E17L2	IA 1 B
E17R	IA 0 D
E18A	HD 4 D
E18B	HD 4 C
E18C	HE 2 B
E18C	HH 2 C
E18D	HE 2 B
E18E	HE 2 C
E18F	HE 3 C
E18G	HD 2 C
E18H	HD 2 C
E18J	HD 3 D
E18K	HD 3 D
E18L	HH 3 B
E18M	HD 1 C
E18N	HH 2 B
E18P	HH 3 C

VOLVO

Group Trucks Technology

Document title
12V SCHEMATIC VOLVO

Document type
PRODUCT SCHEMATIC

Document No

21849527

Issue

09

Volume

2 (2)

Page

29 (43)

0

1

2

3

4

SHELLS

REF	PAGE
E18R	HH 3 B
E20A	IG 1 C
E22A	GC 0 D
E22B	GC 0 D
E22C	GC 0 D
E23A	HD 2 B
E23B	HD 3 B
E26L	GD 2 B
E26L_1	GD 3 D
E26R	GD 3 B
E26R_1	GD 3 D
E28	HB 4 D
E28A	HJ 0 C
E30L	GD 0 C
E30R	GD 2 C
E32	HB 3 D
E32A	HA 2 D
E36A	GC 3 D
E36B	GC 3 D
E36C	GC 3 D
E36D	GC 4 D
E36E	GC 4 D
E37	HE 1 B
E37	HH 1 B
E39	GF 2 C
E43L	GE 1 C
E43R	GE 2 C
E80L	BP 3 B
E81A	IH 1 C
E81B	IH 1 C
E81C	IH 1 C
E81D	IH 2 C
E81E	IH 2 C
E81F	IH 2 C
E81G	IH 3 C
E81H	IH 3 C
E81J	IH 3 C
earth24_71	BL 4 B
earth33_672	BL 4 C
EM01	CD 2 D
EM01_B	CD 3 E
EM02	CD 3 C
EM03	CD 4 D
EM04	CD 4 A
F01	AB 2 D
F01	BJ 0 A
F01	IC 2 A
F02	AB 3 D
F02	BA 1 A
F02	KA 1 A

REF	PAGE
F02	KB 2 A
F02	KC 0 A
F02	KE 0 A
F02	KF 2 A
F02	KG 0 A
F03	AB 3 D
F03	IC 1 A
F04	AB 3 D
F04	IC 3 A
F05	AB 3 D
F08	AB 3 C
F08	GB 3 A
F09	AB 3 C
F09	GQ 1 A
F10	AB 3 C
F10	GB 3 B
F11	AB 3 C
F11	BD 2 A
F12	AB 4 C
F12	BC 1 A
F12	XA 4 A
F13	AB 4 C
F13	BJ 0 A
F14	AB 4 C
F14	EB 4 A
F14	EH 4 A
F14	GJ 1 A
F15	AB 1 B
F16	AB 1 B
F16	GB 3 A
F17	AB 2 B
F17	GB 3 A
F18	AB 2 B
F18	GB 3 B
F19	AB 2 B
F19	DA 0 A
F20	AB 2 B
F20	BA 0 A
F20	KA 1 A
F20	KB 3 A
F20	KC 1 A
F20	KE 1 A
F20	KF 3 A
F20	KG 1 A
F21	AB 0 E
F21	CC 2 A
F21	CL 1 A
F21	CN 2 A
F22	AB 0 E
F22	AC 2 A

REF	PAGE
F23	AB 0 E
F23	HA 0 B
F24	AB 1 E
F25	AB 1 E
F25	IB 2 A
F26	AB 1 E
F26	GP 0 A
F27	AB 1 E
F27	FD 2 A
F28	AB 1 E
F28	JA 1 A
F29	AB 2 E
F29	BH 1 A
F30	AB 2 E
F30	GI 2 A
F31	AB 2 E
F31	FF 1 A
F31	IB 3 A
F32	AB 3 E
F32	GI 1 A
F33	AB 3 E
F34	AB 3 E
F34	DP 2 A
F36	AA 3 D
F37	AA 3 D
F38	AA 4 D
F39	AA 4 D
F40	AA 4 D
F41	AA 4 D
F42	AA 0 D
F42	IG 3 A
F43	AA 0 D
F43	BH 0 A
F43	GC 2 A
F44	AA 0 D
F45	AA 0 D
F45	NA 3 A
F46	AA 1 D
F46	HB 2 A
F47	AA 1 D
F47	HB 3 A
F48	AA 1 D
F48	HB 3 A
F49	AA 0 B
F49	GB 3 B
F50	AA 0 B
F50	HB 2 A
F51	AA 0 B
F51	HA 0 A
F52	AA 0 B

REF	PAGE
F52	BE 2 A
F52	BG 0 A
F53	AA 1 B
F53	IF 2 A
F54	AA 1 B
F54	EA 2 A
F54	EC 2 A
F54	EG 2 A
F55	AA 1 B
F55	JH 0 A
F56	AA 2 E
F56	CM 0 A
F57	AA 3 E
F57	JG 2 A
F57	JH 0 A
F58	AA 3 E
F58	GA 1 A
F59	AA 3 E
F59	BE 2 A
F59	BG 0 A
F60	AA 3 E
F60	HB 3 A
F61	AA 4 E
F61	BC 1 A
F62	AA 4 E
F62	GK 3 A
F63	AA 3 D
F63	FC 1 A
F64	AA 3 D
F64	BH 1 A
F65	AA 3 D
F65	BH 0 A
F66	AA 3 D
F66	BD 2 A
F67	AA 4 D
F67	EB 3 A
F67	EH 3 A
F67	JE 0 A
F68	AA 4 D
F68	DA 1 B
F69	AA 4 D
F69	DA 0 B
F76	AA 0 D
F77	AA 0 D
F77	IG 0 A
F78	AA 1 D
F78	IA 2 A
F79	AA 1 D
F79	IG 2 A
F80	AA 1 D

REF	PAGE
F80	IG 4 A
F81	AA 1 D
F81	NA 1 A
F82	AA 2 D
F82	IG 2 A
F90	HE 0 C
F90	HH 0 C
FB03	BE 3 E
FB8	AM 4 C
FB08	CM 4 C
FB09	HI 1 B
FE1	AC 0 B
FE1	MA 1 A
FE2	AC 1 B
FE2	MA 1 A
FE3	AC 1 B
FE3	MA 2 A
FE4	AC 2 C
FE4	AG 2 A
FE5	AC 2 C
FE5	AG 3 A
FE5	BP 2 A
FE6	AC 2 C
FE6	AG 0 A
FE7	AC 2 C
FE7	AG 0 A
FE8	AC 3 C
FE8	AG 3 A
FE8	CL 3 A
FE9	AC 3 C
FE9	AG 4 A
FE9	CL 3 A
FE10	AC 3 C
FE10	MA 3 A
FE11	AC 3 C
FE11	EA 2 A
FE11	EC 2 A
FE11	EG 2 A
FE12	AC 3 C
FE12	CE 2 A
FE13	AC 4 C
FE13	FA 2 A
FE14	AC 4 C
FE14	FG 0 A
FE15	AC 4 C
FE16	AC 4 C
FE17	AD 0 B
FE17	CP 3 A
FE18	AD 0 B
FE18	CC 1 A

REF	PAGE
FE18	CL 3 A
FE19	AD 1 B
FE19	DB 4 A
FE19	DF 0 A
FE20	AD 1 B
FE20	MA 3 B
FE21	AD 1 B
FE21	MA 3 B
FE22	AD 1 B
FE23	AD 2 B
FE24	AD 2 B
FE25	AD 0 B
FE25	CD 1 A
FE25	CP 1 A
FEM01	AB 3 A
FEM02	AN 2 C
FEM03A	ND 2 D
FEM03B	ND 2 D
FEM04	AB 3 B
FFB06A	HJ 2 B
FFB07A	HJ 3 B
FFB08A	HJ 3 B
FM08A	HJ 3 D
FM_A5	HJ 2 B
FT01	CK 0 B
FT02A	DB 0 D
FT03	AM 3 D
FT04	AM 2 D
FT05	CC 3 B
FT05	CN 3 B
FT06	CN 3 A
G01	AB 4 B
G01	AE 1 D
G01	AF 2 C
G01	AL 0 D
G01	AM 1 D
G01	AN 0 D
G01	CC 4 A
G01	CK 0 A
G01	CM 4 C
G01	CN 4 A
G01	DB 0 E
G01	HI 2 B
G01	HJ 4 D
G01	ND 2 D
G01B	BL 2 B
G01C	BL 1 C
G01D	BL 1 D
G01E	BL 1 B
G01F	HJ 2 C

0

1

2

3

4

SHELLS

REF	PAGE
G02	AE 2 A
G02	AF 2 C
G02	AL 1 A
G02	AM 1 D
G02	AN 1 A
G03H	HI 0 B
G03J	HI 0 C
G04	HC 1 B
G04	HI 2 B
G05A	IG 0 C
G05E	IG 2 C
G05F	IG 0 C
G06A	IG 3 D
G06B	IG 2 D
H02A	GQ 1 D
H02A S	GQ 4 E
H03	GF 3 D
H03	GK 1 E
H05	IA 3 C
H16	CM 2 B
H17	CM 2 B
L E10LED	GF 0 C
M01	GP 2 D
M02	GP 3 B
M04	AE 1 B
M04	AF 2 A
M04	AL 0 B
M04	AM 0 B
M04	AN 0 B
M04A	AE 0 B
M04A	AF 3 A
M04B	AM 1 B
M06DS	IC 1 C
M06PS	IC 2 E
M18	HE 0 D
M18	HH 0 D
M20L	IB 1 D
M20R	IB 2 D
M41	CN 2 C
M55	HJ 0 D
M80L	IA 3 D
M80L	IF 1 D
M80LS	IA 3 B
M80R	IA 3 D
M80R	IF 2 D
M110L	IC 0 B
M110L	IE 1 C
M110R	IC 3 B
M110R	IE 3 C
MCDE2	BG 3 D

REF	PAGE
OBD	XA 2 D
OBD- II	XF 3 D
R01A	CA 2 D
R05A	FA 3 C
R05C	FA 3 C
R08A	CC 0 B
R08A	CN 0 B
R08B	EB 0 A
R08B	EH 0 A
R08C	XB 0 C
R08E	JG 2 C
R08E	JH 1 E
R08F	BC 2 D
R08G	BE 3 C
R08H	KH 3 B
R08H	XC 2 C
R08I	CD 2 B
R08I	CP 2 B
R08M	XA 0 C
R08N	BI 3 B
R08N	BM 3 A
R09	CE 2 C
R09B	CE 2 C
R15	IB 4 D
R18A	FA 0 C
R18B	FA 1 C
R21	XA 0 B
R21	XF 3 C
R21 TGW	BJ 2 B
R21A	XF 2 D
R21B	XF 1 C
R29	CD 1 C
R29	CK 4 D
R29	CP 1 C
R30	CD 2 C
R30	CP 2 C
R31	CD 1 C
R31	CK 3 E
R31	CP 1 C
R E10LED	GF 1 C
RE01	AC 0 C
RE01	MA 0 B
RE02	AC 1 C
RE02	MA 1 B
RE03	AC 1 C
RE03	MA 2 B
RE04	AC 2 C
RE04	AG 1 B
RE05	AC 3 C
RE06	AD 2 B

REF	PAGE
RE06	BP 3 B
RE07	AD 3 B
RE07	BP 1 B
RE07	CC 1 B
RE07	CN 1 B
RE08	AD 2 D
RE08	CP 3 B
RE09	AD 0 D
RE09	CD 1 B
RE09	CP 1 B
RE10	AD 1 D
RE10	CD 1 B
RE10	CP 1 B
RE11	AD 1 D
RE11	CD 2 B
RE11	CP 2 B
RLY02	AB 2 D
RLY03	IA 3 C
RLY04	IA 4 C
RLY05	AB 1 D
RLY06	KE 0 B
RLY06	KF 2 B
RLY06	KG 0 B
RLY07	DP 1 B
RLY08	AA 2 C
RLY10	GQ 1 C
RLY11	IA 2 C
RLY12	GP 0 B
RLY13	DB 2 B
RLY13 1	DF 2 B
RLY13 3	AI 2 D
RLY14	FB 3 B
RLY14	GK 1 B
RLY15	BM 5 B
RLY16	AH 2 C
RLY17	AH 3 B
RLY23	DF 4 B
RLY24	DF 3 B
RLY26	GI 2 C
RLY27	GI 1 C
RLY28	GI 3 C
RLY33B	DA 1 B
RLY34	EB 4 B
RLY34	EH 4 B
RLY38	GC 2 B
RLY41	HB 4 C
RLYER5	CM 0 C
RLYER6	CM 0 B
RLYSA1	JJ 2 C
S01	GA 1 C

REF	PAGE
S02	AH 2 B
S02	GA 2 B
S04	HB 0 B
S05	HD 0 B
S05	HE 2 D
S05	HH 2 D
S06	BA 1 C
S06	GP 0 C
S07	AJ 3 D
S07B	AJ 2 B
S08	FD 1 B
S09	FD 2 B
S11A	FB 0 C
S11B	FB 1 C
S11C	FB 2 C
S11D	EB 2 D
S11D	EH 2 D
S11E	EB 3 D
S11E	EH 3 D
S11F	EH 3 B
S12	GI 2 D
S14A	GQ 1 C
S15	AB 1 B
S24	AJ 2 D
S24A	DE 4 D
S24C	DE 4 C
S24D	AJ 1 D
S28A	DP 2 C
S28B	DP 3 C
S28C	DP 4 C
S28J	BI 2 B
S28J	BM 2 B
S31	EA 3 B
S31	EC 4 B
S31	EG 3 B
S41	AM 2 C
S43	AH 4 D
S43A	DF 2 E
S43B	DB 2 D
S43C	GA 3 B
S45BA	BB 2 B
S45BB	BB 1 B
S45BC	BB 2 B
S047	BB 3 B
S047A	BB 3 B
S48	GB 3 D
S48A	AI 3 E
S048B	BB 4 B
S49	GK 2 B
S58	AI 3 B

REF	PAGE
S59	AI 3 C
S61A	IB 0 D
S75	GJ 1 B
S76	GG 1 C
S80	IF 1 E
S80D	IC 2 B
S80P	IC 2 D
S87	HE 0 C
S87	HH 0 C
S88	FC 2 B
S89	BM 5 B
S93	FC 0 B
S97	CH 2 B
S101	DB 1 C
S104	JD 2 C
S104A	NA 1 C
S104B	NA 2 C
S104C	NA 3 C
S104D	NA 4 C
S121	FF 1 C
S169	AB 4 A
S169	AF 2 B
S169	AM 1 C
S169	HI 2 B
S169A	AM 3 C
S171	DA 1 D
S171A	DA 3 D
S171B	FF 3 D
S202	JG 3 C
S202	JH 1 B
S212	EC 1 D
S212	EG 4 B
S223	AH 1 E
S234	IB 3 B
S316	BM 4 B
SK141A	DA 1 A
SK141A	DB 1 A
SK141A	DP 2 A
SK141A	EB 4 A
SK141A	EH 4 A
SK141A	FB 0 A
SK141A	FC 0 A
SK141A	FD 1 A
SK141A	GB 0 A
SK141A	HB 0 A
SK141A	JD 2 A
SK141A	JH 1 A
SK141B	CH 2 A
SK141B	DE 4 A
SK141B	EA 3 A

REF	PAGE
SK141B	EC 3 A
SK141B	EG 3 A
SK141B	GB 1 A
SK141B	GI 2 A
SKX03D	AE 3 C
SKX03D	BD 1 D
SKX03D	CM 0 D
SKX03D	GB 1 D
SKX03D	IB 1 D
SKX03F A	AA 3 C
SKX03F A	AB 0 B
SKX03F A	AE 3 E
SKX03F A	DF 4 C
SKX03F A	DP 2 D
SKX03F A	EB 4 D
SKX03F A	EH 4 D
SKX03F A	GI 1 E
SKX03F A	IA 4 C
SKX03F A	IB 2 D
SKX03F A	IF 2 D
SKX03F A	JG 2 D
SKX03F A	JH 0 D
SKX03F A	KE 0 C
SKX03F A	KF 1 B
SKX03F A	KG 0 B
SKX03F B	AE 4 B
SKX03F B	BH 0 E
SKX03F B	CH 2 D
SKX03F B	FB 3 D
SKX03F B	FC 0 E
SKX03F B	FD 0 E
SKX03F B	GK 2 C
SKX03F B	IC 1 E
sym588 438	AF 4 E
sym1071 138	HH 4 C
sym1073 138	HH 4 C
sym1075 138	HE 4 C
sym1077 138	HE 4 C
sym1178 38	IA 4 D
TC01	MA 0 D
TC02	MA 2 D
TC03	MB 1 B
TC04	MB 1 C
TC05	MB 1 D
TC06	MB 2 C
TC07	MB 2 D
TC08	MB 0 D
U01	AA 1 A
U01	AB 3 B
U01	CD 1 A

0

1

2

3

4

0

1

2

3

4

SHELLS

REF	PAGE
U01	CP 1 A
U01	DB 1 C
V23	CA 3 B
X02	AE 2 C
X02	AL 1 C
X02	AN 1 C
X02	CC 4 B
X02	CL 3 B
X02	CN 4 B
X02	HA 0 E
X03	AE 3 D
X03	AG 1 D
X03	AL 1 D
X03	AN 2 D
X03	CB 1 D
X07B	IG 3 C
X07C	IG 4 C
X07D	HD 1 C
X07D	HE 1 C
X07D	HH 2 C
X07H	IG 3 C
X07K	IG 4 C

REF	PAGE
X11	CB 1 C
X11A	CL 1 C
X17A	NA 1 C
X17A1	NA 1 D
X17B	NA 2 C
X17B1	NA 2 D
X17C	NA 3 C
X17C1	NA 3 D
X17D	NA 4 C
X24	IG 3 E
X45	CA 2 B
X62	ND 2 A
X62A	ND 2 A
X66	KD 1 C
X67	KD 1 B
X87	CP 4 D
X89	CD 0 C
X89	CP 0 C
X147B	JH 4 C
X192	CP 2 D
Y11	EA 1 B
Y11	EC 1 B

REF	PAGE
Y11	EG 1 B
Y12	EA 0 B
Y12	EC 0 B
Y12	EG 0 B
Y13	EA 2 D
Y13	EC 1 B
Y13	EG 1 B
Y14	EA 1 D
Y14	EC 0 E
Y14	EG 0 E
Y15	EA 4 D
Y15	EC 2 D
Y15	EG 2 E
Y16	EA 3 D
Y16	EC 2 D
Y16	EG 2 E
Y18A	DP 1 D
Y18B	DP 4 D
Y18G	DA 3 B
Y18G	DP 0 D
Y18H	DA 3 B
Y18H	DP 0 C

REF	PAGE
Y25A	EB 1 B
Y25A	EH 1 A
Y29A	EB 2 B
Y29A	EH 2 A
Y35	CB 2 B
Y35	CC 0 A
Y35	CL 3 E
Y35	CN 1 A
Y35A	CC 1 B
Y35A	CN 1 B
Y35E	CL 3 D
Y42	HA 1 D
Y51	FA 4 C
Y53	CA 0 C
Y57	EA 1 D
Y57	EC 3 D
Y57	EG 3 D
Y57A	ED 0 C
Y64	DE 1 B
Y81	CK 2 D
Y81A	CD 1 C
Y81A	CP 1 C

REF	PAGE
Y100	ED 4 C
Y106	EC 3 D
Y106	EG 3 D
Y110	DA 4 C
Z01	XA 0 E
Z02	MA 3 C
Z03A	BH 0 C
Z03AJ	BN 0 E
Z03B	BH 2 B
Z03BJ	BN 2 B
Z03C	BI 1 D
Z03C	BM 2 D
Z03D	BI 3 D
Z03D	BM 4 D
Z04	BH 1 E
Z05	CH 3 D
Z05	FB 1 D
Z05	FC 3 D
Z05	FD 2 D
Z05	FF 1 D
Z05	GQ 2 C
Z06	BB 1 E

REF	PAGE
Z06	GA 3 B
Z06	JA 1 D
Z08	BC 0 C
Z10	XF 2 D
Z10CA	BH 2 D
Z10CB	BH 3 D
Z10FA	BH 2 D
Z10FB	BH 3 D
Z13	GI 1 D
Z15	BH 1 E
Z16	BH 1 D
Z17	HC 1 D
Z17	HI 2 D
Z18	HC 1 D
Z18	HI 3 C
Z19	HC 2 D
Z19	HI 3 C
Z20	HC 2 D
Z20	HI 4 C
Z21	BE 2 C
Z23	BJ 2 A

0

1

2

3

4

REFERENCES

REF	DESCRIPTION	PAGE
		AB 3 E
		DA 1 A
		DB 3 A
		DF 1 A
A03A	INSTRUMENT CLUSTER A	BA 0 D
A03B	INSTRUMENT CLUSTER B	BA 2 C
A03C	INSTRUMENT CLUSTER C	BB 0 C
A03S	SECONDARY GAUGES	BD 1 B
A04	REFRIGERATOR	HD 1 B
A04	REFRIGERATOR	HE 1 C
A04	REFRIGERATOR	HH 1 C
A04A	REFRIGERATOR	HE 1 D
A04A	REFRIGERATOR	HH 1 D
A07A	RADIO	BC 4 B
A07A	RADIO	KA 0 C
A07A	RADIO	KB 2 C
A07A	RADIO	KC 0 B
A07A	RADIO	KD 1 B
A07A	RADIO	XC 4 D
A12A	CONTROL UNIT, ABS (ANTI-LOCK BRAKE SYSTEM	EA 0 C
A12B	CONTROL UNIT, ABS (ANTI-LOCK BRAKE SYSTEM	EC 0 C
A12B	CONTROL UNIT, ABS (ANTI-LOCK BRAKE SYSTEM	ED 0 A
A12B	CONTROL UNIT, ABS (ANTI-LOCK BRAKE SYSTEM	EG 0 C
A13B	TECU AMT-F	DA 3 D
A13E	Control unit, TECU (automatic transmissio	DA 2 B
A14C	CONTROL UNIT EMS CUMMINS ISX '16	CC 0 D
A14C	CONTROL UNIT EMS CUMMINS ISX '16	CD 0 E
A14D	CONTROL UNIT EMS CUMMINS ISX '17	CN 0 D
A14D	CONTROL UNIT EMS CUMMINS ISX '17	CP 0 E
A15	Control unit, SRS (Supplementary Restra	JA 1 C
A16	Control unit, ECS (Electronic Controlled	EB 0 C
A16	Control unit, ECS (Electronic Controlled	EH 0 C
A17	Control unit, VECU (Vehicle ECU)	AG 1 C
A17	Control unit, VECU (Vehicle ECU)	AH 0 D
A17	Control unit, VECU (Vehicle ECU)	AI 0 A
A17	Control unit, VECU (Vehicle ECU)	AJ 1 C
A19E	SHIFT SELECTOR ALLISON	DF 0 E
A27	LIGHT CONTROL MODULE	GA 4 C
A27	LIGHT CONTROL MODULE	GB 1 C
A27	LIGHT CONTROL MODULE	GG 0 A
A27	LIGHT CONTROL MODULE	GK 0 A
A27	LIGHT CONTROL MODULE	IE 2 A
A34	CONTROL UNIT, CLIMATE	HA 2 B
A36	Control unit, BBM (Body Builder Module)	BI 0 C
A36	Control unit, BBM (Body Builder Module)	BM 1 C
A38	Control unit, FMS, satellite communicati	BE 0 C
A38A	CONTROL UNIT, MOBILE MAX II	BG 0 C
A46	Control unit, LECM (Living Environment Co	HB 4 B
A46	Control unit, LECM (Living Environment Co	HD 3 A
A46	Control unit, LECM (Living Environment Co	HE 3 A

REF	DESCRIPTION	PAGE
A46	Control unit, LECM (Living Enviroment Co	HH 3 A
A46	Control unit, LECM (Living Enviroment Co	XC 2 B
A48	TV	KC 0 C
A48	TV	KG 0 C
A51	DISPLAY, SIDE SENSOR	JF 2 C
A55A	EATON AUTO/ULTRA SHIFT GEN 3 ECU	DB 1 D
A56	STEREO AMPLIFIER	KC 0 C
A56	STEREO AMPLIFIER	KG 0 C
A57A	CONTROL UNIT ALLISON TRANS. GEN 4	DE 0 A
A57A	CONTROL UNIT ALLISON TRANS. GEN 4	DF 0 C
A58A	ALLISON TRANSMISSION	DE 0 D
A60	CONTROL UNIT LANE DEPARTURE WARNING SYSTE	JG 1 B
A61A	BATTERY MONITOR, MIDTRONICS	HJ 4 D
A70A	PUSH BUTTON SHIFT CONTROL	DB 0 C
A72	LOW VOLTAGE DISCONNECT	AA 2 C
A72	LOW VOLTAGE DISCONNECT	HB 2 D
A80	Airdryer, electrical controlled	FA 1 C
A102A	CONTROL UNIT, GPS RECEIVER TELEMATICS GAT	BJ 2 D
A102B		BJ 0 D
A109	Control unit, GSECU (Gearshift ECU)	DA 1 C
A131A	LVD, POWER SEPARATOR	HJ 4 B
A132	CONTROL UNIT TIRE PRESSURE MONITORING	FG 0 C
A132B	TPM MODULE	FG 2 C
A137	DEF CONTROL MODULE,	CK 0 C
A138	PUMP UNIT, ADBLUE	CK 1 E
A138A	PUMP UNIT, ADBLUE (CUMMINS)	CC 1 C
A147	Control Unit, Fuel Filter Module	BP 2 D
A148	Control Unit, Heated Windshield	IB 3 C
A158	Control unit, Audio	KD 3 C
A158	Control unit, Audio	KE 0 C
A158	Control unit, Audio	KF 2 C
A158	Control unit, Audio	KG 1 B
A158	Control unit, Audio	KH 1 C
A158A	CONTROL UNIT, AUDIO INFOTAINMENT	XC 0 B
A170	Control panel, climate	HJ 0 B
A186	Control Unit, PCCU (Parking Cooler Contro	HJ 0 C
A225	FUSE HOLDER 4 FUSES	AB 4 D
A232	SYSTEM BENDIX FUSION	JH 2 B
B06	Sensor, air pressure, air tank	AI 1 C
B06A	SENSOR, AIR PRESSURE B-TANK / FRONT BRAK	BA 3 D
B06AP	SENSOR AIR PRESSURE BRAKE APPLICATION	BA 2 D
B06B	SENSOR, AIR PRESSURE A-TANK / REAR BRAK	BA 3 D
B07	SENSOR FUEL LEVEL	BA 3 D
B09	SENSOR OIL TEMP GEARBOX	BA 4 D
B13	SENSOR WHEEL SPEED LH 1ST AXLE	EA 1 B
B13	SENSOR WHEEL SPEED LH 1ST AXLE	EC 2 B
B13	SENSOR WHEEL SPEED LH 1ST AXLE	EG 2 B
B14	SENSOR WHEEL SPEED RH 1ST AXLE	EA 1 B
B14	SENSOR WHEEL SPEED RH 1ST AXLE	EC 1 B
B14	SENSOR WHEEL SPEED RH 1ST AXLE	EG 1 B

REFERENCES

REF	DESCRIPTION	PAGE
B15	SENSOR WHEEL SPEED LH 2ND AXLE	EA 0 D
B15	SENSOR WHEEL SPEED LH 2ND AXLE	EC 0 B
B15	SENSOR WHEEL SPEED LH 2ND AXLE	EG 0 B
B16	SENSOR, WHEEL SPEED RH 2ND AXLE	EA 1 D
B16	SENSOR, WHEEL SPEED RH 2ND AXLE	EC 4 D
B16	SENSOR, WHEEL SPEED RH 2ND AXLE	EG 4 D
B17	SENSOR, WHEEL SPEED LH 3RD AXLE	EA 2 D
B17	SENSOR, WHEEL SPEED LH 3RD AXLE	EC 1 D
B17	SENSOR, WHEEL SPEED LH 3RD AXLE	EG 1 D
B18	SENSOR WHEEL SPEED RH 3RD AXLE	EA 3 D
B18	SENSOR WHEEL SPEED RH 3RD AXLE	EC 2 D
B18	SENSOR WHEEL SPEED RH 3RD AXLE	EG 2 D
B22A	SENSOR AMBIENT AIR TEMP.	BA 3 A
B22A S	AMBIENT TEMP SERVICE	BA 4 A
B22B	SENSOR AMBIENT AIR TEMP.	BA 3 A
B22C	SENSOR, AMBIENT AIR TEMP	CC 3 D
B22C	SENSOR, AMBIENT AIR TEMP	CN 3 D
B25A	SENSOR ACCELERATOR PEDAL	AI 1 D
B30A	SENSOR, CHASSIS LEVEL DRIVE AXLE	EB 2 E
B30A	SENSOR, CHASSIS LEVEL DRIVE AXLE	EH 2 E
B38RC	SENSOR OIL TEMP REAR CENTER AXLE	BB 3 D
B38RF	SENSOR OIL TEMP REAR FRONT AXLE	BB 3 D
B38RR	SENSOR OIL TEMP REAR REAR AXLE	BB 4 D
B39	SENSOR AIR RESTRICTION	BB 0 B
B49	SENSOR, STEERING ANGLE	ED 1 D
B50	SENSOR, YAW-RATE ESP	ED 2 D
B55A	SENSOR, AIR PRESSURE, SUSPENSION BELLOWS, EB 0 D	EB 0 D
B55A	SENSOR, AIR PRESSURE, SUSPENSION BELLOWS, EH 0 D	EH 0 D
B55B	SENSOR, AIR PRESSURE, SUSPENSION BELLOWS, EH 1 D	EH 1 D
B56	Sensor, air pressure, suspension bellows BA 3 B	BA 3 B
B58A	SENSOR, AIR PRESSURE, SUSPENSION BELLOWS, EB 1 D	EB 1 D
B58A	SENSOR, AIR PRESSURE, SUSPENSION BELLOWS, EH 1 D	EH 1 D
B58R	SENSOR AIR PRESSURE REAR SUSPENSION	BA 2 D
B59	Sensor, Indoor Temp.	HA 2 B
B60A	SPEAKER LEFT DASH	KA 2 E
B60A	SPEAKER LEFT DASH	KB 3 E
B60A	SPEAKER LEFT DASH	KC 1 E
B60A	SPEAKER LEFT DASH	KE 2 E
B60A	SPEAKER LEFT DASH	KF 3 E
B60A	SPEAKER LEFT DASH	KG 1 E
B60B	SPEAKER RIGHT DASH	KA 2 E
B60B	SPEAKER RIGHT DASH	KB 2 E
B60B	SPEAKER RIGHT DASH	KC 2 E
B60B	SPEAKER RIGHT DASH	KE 1 E
B60B	SPEAKER RIGHT DASH	KF 2 E
B60B	SPEAKER RIGHT DASH	KG 2 E
B60C	SPEAKER LEFT DOOR	KA 1 E
B60C	SPEAKER LEFT DOOR	KB 4 E
B60C	SPEAKER LEFT DOOR	KC 0 E
B60C	SPEAKER LEFT DOOR	KE 0 E

REF	DESCRIPTION	PAGE
B60C	SPEAKER LEFT DOOR	KF 4 E
B60C	SPEAKER LEFT DOOR	KG 0 E
B60D	SPEAKER RIGHT DOOR	KA 1 E
B60D	SPEAKER RIGHT DOOR	KB 2 E
B60D	SPEAKER RIGHT DOOR	KC 0 E
B60D	SPEAKER RIGHT DOOR	KE 1 E
B60D	SPEAKER RIGHT DOOR	KF 2 E
B60D	SPEAKER RIGHT DOOR	KG 0 E
B60E	SPEAKER LEFT UPPER	KB 0 D
B60E	SPEAKER LEFT UPPER	KF 0 D
B60F	SPEAKER RIGHT UPPER	KB 0 D
B60F	SPEAKER RIGHT UPPER	KF 0 D
B60G	SPEAKER LEFT LOWER	KC 2 D
B60G	SPEAKER LEFT LOWER	KG 2 D
B60G 1	SPEAKER LEFT LOWER	KG 2 E
B60H	SPEAKER RIGHT LOWER	KC 2 D
B60H	SPEAKER RIGHT LOWER	KG 2 D
B60H 1	SPEAKER RIGHT LOWER	KG 2 E
B60I	SPEAKER SUBWOOFER	KC 2 D
B60I	SPEAKER SUBWOOFER	KG 3 E
B60J	SPEAKER LEFT UPPER	KB 1 E
B60J	SPEAKER LEFT UPPER	KF 1 E
B60K	SPEAKER RIGHT UPPER	KB 1 E
B60K	SPEAKER RIGHT UPPER	KF 1 E
B60L H2	SPEAKER, LEFT REAR	KB 1 B
B60L H2	SPEAKER, LEFT REAR	KF 1 B
B60L H4	SPEAKER, LEFT REAR	KB 1 C
B60L H4	SPEAKER, LEFT REAR	KF 1 C
B60M H2	SPEAKER, RIGHT REAR	KB 0 B
B60M H2	SPEAKER, RIGHT REAR	KF 0 B
B60M H4	SPEAKER, RIGHT REAR	KB 0 C
B60M H4	SPEAKER, RIGHT REAR	KF 0 C
B60N	SPEAKER, LEFT UPPER	KC 4 D
B60N	SPEAKER, LEFT UPPER	KG 4 D
B60P	SPEAKER, RIGHT UPPER	KC 4 D
B60P	SPEAKER, RIGHT UPPER	KG 4 D
B60R	SPEAKER LEFT UPPER	KC 4 B
B60R	SPEAKER LEFT UPPER	KG 4 B
B60S	SPEAKER RIGHT UPPER	KC 4 B
B60S	SPEAKER RIGHT UPPER	KG 4 B
B61A	TWEETER LEFT DASH	KA 2 E
B61A	TWEETER LEFT DASH	KB 3 E
B61A	TWEETER LEFT DASH	KC 0 E
B61A	TWEETER LEFT DASH	KE 2 E
B61A	TWEETER LEFT DASH	KF 3 E
B61A	TWEETER LEFT DASH	KG 0 E
B61B	TWEETER RIGHT DASH	KA 1 E
B61B	TWEETER RIGHT DASH	KB 2 E
B61B	TWEETER RIGHT DASH	KC 1 E
B61B	TWEETER RIGHT DASH	KE 1 E

REFERENCES

REF	DESCRIPTION	PAGE
B61B	TWEETER RIGHT DASH	KF 2 E
B61B	TWEETER RIGHT DASH	KG 1 E
B62	Socket, TV Headphone	KG 0 C
B62	Socket, TV Headphone	KG 0 C
B63	Microphone, (handsfree)	KD 2 B
B64A	SPEAKER BENDIX FUSION LEFT DASH	JH 4 D
B64B	SPEAKER BENDIX FUSION RIGHT DASH	JH 4 D
B68	Sensor, output shaft speed, gearbox	AI 0 D
B68	Sensor, output shaft speed, gearbox	CC 2 C
B68	Sensor, output shaft speed, gearbox	CL 1 B
B68	Sensor, output shaft speed, gearbox	CN 2 C
B68_B	Sensor, output shaft speed, gearbox	AI 1 E
B78	SIDE SENSOR	JF 1 C
B80	SENSOR, ETHER START	CA 1 B
B82A	SENSOR, ACC RADAR FLR-20	JE 0 D
B96	Sensor, NOx	CK 3 B
B96B	Sensor, NOx	CK 2 B
B105A	SENSOR, RETARDER TEMP	DE 3 D
B121	Sensor, Low level washer fluid	GP 3 B
B122A	SENSOR EXHAUST TEMP. CATALYST	CL 2 E
B122B	SENSOR CATALYST OUTLET TEMP. 2	CL 2 B
B123	SENSOR LOW COOLANT	CB 2 D
B123A	SENSOR, LOW COOLANT	CB 3 D
B123A	SENSOR, LOW COOLANT	CL 2 E
B123B	SENSOR, LOW COOLANT	CC 1 C
B123B	SENSOR, LOW COOLANT	CN 1 C
B142B	Sensor, AdBlue level and temperature	CC 3 C
B142C	Sensor, AdBlue level and temperature	CD 3 B
B142C	Sensor, AdBlue level and temperature	CK 1 B
B142C	Sensor, AdBlue level and temperature	CP 3 A
B152	SENSOR, BRAKE AIRPRESSURE, FRONT	ED 2 C
B153	SENSOR, BRAKE AIRPRESSURE, REAR	ED 3 C
B164L	Loudspeaker, left	KE 4 C
B177	SENSOR AIR PRESSURE, SUSPENSION BELLOWS,	ED 3 B
B185A	SENSOR OXYGEN OUTLET EGO	CL 1 D
B300B	METHANE SENSOR ENGINE	CM 3 D
B300C	METHANE SENSOR SLEEPER	CM 2 D
B310	Sensor, Particulate Matter	CK 2 B
B319	SENSOR ALARM CO	CM 1 D
B319_B	SENSOR ALARM CO SLEEPER	CM 2 D
E05A	5TH WHEEL LAMP	GG 1 C
E05A	5TH WHEEL LAMP	GH 1 C
E05B	5TH WHEEL LAMP, HIGH	GG 2 C
E05B	5TH WHEEL LAMP, HIGH	GH 0 C
E05C	5TH WHEEL LAMP, DUAL	GG 2 C
E05C	5TH WHEEL LAMP, DUAL	GH 1 C
E05D	5TH WHEEL LAMP, DUAL	GG 3 C
E05D	5TH WHEEL LAMP, DUAL	GH 0 C
E05E	BACK OF CAB LAMP, D.S.	GG 3 C
E05E	BACK OF CAB LAMP, D.S.	GH 1 C

REF	DESCRIPTION	PAGE
E05F	BACK OF CAB LAMP, P.S.	GG 3 C
E05F	BACK OF CAB LAMP, P.S.	GH 2 C
E05K	5TH WHEEL LAMP	GG 2 C
E06	LAMP BACKUP	GK 1 E
E06LED	LAMP LED BACKUP	GK 1 E
E07L	Lamp, Fog Light	GE 2 C
E07R	Lamp, Fog Light	GE 3 C
E08L	Lamp, Driving Light	GE 3 C
E08R	Lamp, Driving Light	GE 3 C
E10	LAMP, TAIL LIGHT	GF 3 B
E10L	LAMP TAIL LIGHT LEFT	GF 3 D
E10LA	LAMP TAIL LIGHT LEFT	GF 0 C
E10R	LAMP TAIL LIGHT RIGHT	GF 4 D
E10RA	LAMP TAIL LIGHT RIGHT	GF 1 C
E11L	Lamp, Side Repeater	GA 1 D
E11L	Lamp, Side Repeater	IE 2 C
E11R	Lamp, Side Repeater	GA 2 D
E11R	Lamp, Side Repeater	IE 2 C
E12A	LAMP, MARKER	GC 1 D
E12B	LAMP, MARKER	GC 1 D
E12C	LAMP, MARKER	GC 2 D
E12D	LAMP, MARKER	GC 2 D
E12E	LAMP, MARKER	GC 2 D
E13L	Lamp, Park/Turn	GD 1 C
E13R	Lamp, Park/Turn	GD 1 C
E14L	WARNING LAMP SNOWPLOW	GJ 1 D
E14R	WARNING LAMP SNOWPLOW	GJ 1 D
E16L	Lamp, Door instep light, left	IA 1 D
E16R	Lamp, Door instep light, right	IA 1 D
E17C	Lamp Fluorescent	HE 3 D
E17C	Lamp Fluorescent	HH 4 B
E17C H2	LAMP, FLOURESCENT	HD 3 C
E17C H4	LAMP, FLOURESCENT	HD 3 C
E17D	LAMP, WORKCENTRE FLUORESCENT	HE 4 C
E17L	LAMP, FRONT OVRHEAD LEFT	IA 0 D
E17L2	LAMP, OVERHEAD	IA 1 B
E17R	LAMP, FRONT OVRHEAD RIGHT	IA 0 D
E18A	LAMP, LOWER D.S.	HD 4 D
E18B	LAMP, UNDER CABINET D.S.	HD 4 C
E18C	LAMP, UPPER D.S.	HE 2 B
E18C	LAMP, UPPER D.S.	HH 2 C
E18D	LAMP, UPPER P.S.	HE 2 B
E18E	LAMP, LOWER D.S.	HE 2 C
E18F	LAMP, LOWER P.S.	HE 3 C
E18G	LAMP, UPPER P.S.	HD 2 C
E18H	LAMP, UPPER D.S.	HD 2 C
E18J	LAMP, LOWER D.S.	HD 3 D
E18K	LAMP, TABLE	HD 3 D
E18L	LAMP, UNDER CABINET D.S.	HH 3 B
E18M	LAMP, UPPER D.S.	HD 1 C

REFERENCES

REF	DESCRIPTION	PAGE
E18N	LAMP, CENTER	HH 2 B
E18P	LAMP, LOWER D.S.	HH 3 C
E18R	LAMP, LOWER P.S.	HH 3 B
E20A	Lamp Ashtray Illumination	IG 1 C
E22A	LAMP, ROOF SIGN ILLUMINATION	GC 0 D
E22B	LAMP, ROOF SIGN ILLUMINATION	GC 0 D
E22C	LAMP, ROOF SIGN ILLUMINATION	GC 0 D
E23A	LAMP, LUGGAGE D.S.	HD 2 B
E23B	LAMP, LUGGAGE P.S.	HD 3 B
E26L	Lamp, Headlamp Module	GD 2 B
E26L_1	Lamp, Headlamp Module	GD 3 D
E26R	Lamp, Headlamp Module	GD 3 B
E26R_1	Lamp, Headlamp Module	GD 3 D
E28	Parking heater, ADR	HB 4 D
E28A	PARK HEATER AUX AC	HJ 0 C
E30L	Lamp, Headlamp	GD 0 C
E30R	Lamp, Headlamp	GD 2 C
E32	HVAC UNIT	HB 3 D
E32A	HVAC UNIT	HA 2 D
E36A	LAMP, SUNVISOR	GC 3 D
E36B	LAMP, SUNVISOR	GC 3 D
E36C	LAMP, SUNVISOR	GC 3 D
E36D	LAMP, SUNVISOR	GC 4 D
E36E	LAMP, SUNVISOR	GC 4 D
E37	Lamp, LECM panel	HE 1 B
E37	Lamp, LECM panel	HH 1 B
E39	LAMP, LICENSE PLATE ILLUMINATION	GF 2 C
E43L	Lamp, Driving/Fog	GE 1 C
E43R	Lamp, Driving/Fog	GE 2 C
E80L	Lamp, Additional module, left	BP 3 B
E81A	UNDER CAB EXT. LAMP	IH 1 C
E81B	UNDER CAB EXT. LAMP	IH 1 C
E81C	UNDER CAB EXT. LAMP	IH 1 C
E81D	UNDER CAB EXT. LAMP	IH 2 C
E81E	UNDER CAB EXT. LAMP	IH 2 C
E81F	UNDER CAB EXT. LAMP	IH 2 C
E81G	UNDER CAB EXT. LAMP	IH 3 C
E81H	UNDER CAB EXT. LAMP	IH 3 C
E81J	UNDER CAB EXT. LAMP	IH 3 C
earth24_71		BL 4 B
earth33_672		BL 4 C
EM01	CONNECTOR CUMMINS SCR	CD 2 D
EM01_B	AM JUMPER	CD 3 E
EM02	CONNECTOR CROSSOVER CUMMINS	CD 3 C
EM03	CONNECTOR CUMMINS DPF	CD 4 D
EM04	SENSOR DEF QUAL. CUMMINS	CD 4 A
F01	DCP Power/ Power Mirror/ TGW	AB 2 D
F01	DCP Power/ Power Mirror/ TGW	BJ 0 A
F01	DCP Power/ Power Mirror/ TGW	IC 2 A
F02	Radio/ Radio with Amplifier	AB 3 D

REF	DESCRIPTION	PAGE
F02	Radio/ Radio with Amplifier	BA 1 A
F02	Radio/ Radio with Amplifier	KA 1 A
F02	Radio/ Radio with Amplifier	KB 2 A
F02	Radio/ Radio with Amplifier	KC 0 A
F02	Radio/ Radio with Amplifier	KE 0 A
F02	Radio/ Radio with Amplifier	KF 2 A
F02	Radio/ Radio with Amplifier	KG 0 A
F03	Driver Window, Heated mirrors	AB 3 D
F03	Driver Window, Heated mirrors	IC 1 A
F04	RH Window	AB 3 D
F04	RH Window	IC 3 A
F05	{ACC/APU Power}	AB 3 D
F08	LCM1	AB 3 C
F08	LCM1	GB 3 A
F09	City Horn, Air Horn	AB 3 C
F09	City Horn, Air Horn	GQ 1 A
F10	LCM2	AB 3 C
F10	LCM2	GB 3 B
F11	Batt. Expansion/ Sec. Instrument	AB 3 C
F11	Batt. Expansion/ Sec. Instrument	BD 2 A
F12	Diagnostic Tool/ Road Relay	AB 4 C
F12	Diagnostic Tool/ Road Relay	BC 1 A
F12	Diagnostic Tool/ Road Relay	XA 4 A
F13	TGW	AB 4 C
F13	TGW	BJ 0 A
F14	ECS/ Beacon Lamps	AB 4 C
F14	ECS/ Beacon Lamps	EB 4 A
F14	ECS/ Beacon Lamps	EH 4 A
F14	ECS/ Beacon Lamps	GJ 1 A
F15	Key Switch Bat	AB 1 B
F16	LCM3	AB 1 B
F16	LCM3	GB 3 A
F17	LCM6	AB 2 B
F17	LCM6	GB 3 A
F18	LCM5	AB 2 B
F18	LCM5	GB 3 B
F19	I-Shift	AB 2 B
F19	I-Shift	DA 0 A
F20	Batt Cluster Radio,	AB 2 B
F20	Batt Cluster Radio,	BA 0 A
F20	Batt Cluster Radio,	KA 1 A
F20	Batt Cluster Radio,	KB 3 A
F20	Batt Cluster Radio,	KC 1 A
F20	Batt Cluster Radio,	KE 1 A
F20	Batt Cluster Radio,	KF 3 A
F20	Batt Cluster Radio,	KG 1 A
F21	Cummins IGN	AB 0 E
F21	Cummins IGN	CC 2 A
F21	Cummins IGN	CL 1 A
F21	Cummins IGN	CN 2 A

REFERENCES

REF	DESCRIPTION	PAGE
F22	EFRC IGN	AB 0 E
F22	EFRC IGN	AC 2 A
F23	Climate Control Ign.	AB 0 E
F23	Climate Control Ign.	HA 0 B
F24	NOT USED	AB 1 E
F25	Heated Seats	AB 1 E
F25	Heated Seats	IB 2 A
F26	Wiper	AB 1 E
F26	Wiper	GP 0 A
F27	Interaxle/ Interwheel	AB 1 E
F27	Interaxle/ Interwheel	FD 2 A
F28	SRS	AB 1 E
F28	SRS	JA 1 A
F29	Camera Prep/ BB IGN-Z	AB 2 E
F29	Camera Prep/ BB IGN-Z	BH 1 A
F30	Snow Plow LPS LH	AB 2 E
F30	Snow Plow LPS LH	GI 2 A
F31	Touch Lock/ Heated Windshield	AB 2 E
F31	Touch Lock/ Heated Windshield	FF 1 A
F31	Touch Lock/ Heated Windshield	IB 3 A
F32	Snow Plow LPS RH	AB 3 E
F32	Snow Plow LPS RH	GI 1 A
F33	Not Used	AB 3 E
F34	PTO	AB 3 E
F34	PTO	DP 2 A
F36	Not Used	AA 3 D
F37	NOT USED	AA 3 D
F38	Not Used	AA 4 D
F39	Not Used	AA 4 D
F40	Not Used	AA 4 D
F41	Not Used	AA 4 D
F42	12V Socket, Cooler, Sleeper	AA 0 D
F42	12V Socket, Cooler, Sleeper	IG 3 A
F43	Roof Sign/ Body Builder	AA 0 D
F43	Roof Sign/ Body Builder	BH 0 A
F43	Roof Sign/ Body Builder	GC 2 A
F44	Not Used	AA 0 D
F45	Auxiliary Switches 3 / 4	AA 0 D
F45	Auxiliary Switches 3 / 4	NA 3 A
F46	LECM1 Fuses FB1, FB2, FB7	AA 1 D
F46	LECM1 Fuses FB1, FB2, FB7	HB 2 A
F47	LECM4 Fuses FB3, FB5, FB9, FB10	AA 1 D
F47	LECM4 Fuses FB3, FB5, FB9, FB10	HB 3 A
F48	LECM3 HVAC Fan	AA 1 D
F48	LECM3 HVAC Fan	HB 3 A
F49	LCM4	AA 0 B
F49	LCM4	GB 3 B
F50	LECM2 Fuses FB6, FB8	AA 0 B
F50	LECM2 Fuses FB6, FB8	HB 2 A
F51	Climate Control, AC Blower Batt.	AA 0 B

REF	DESCRIPTION	PAGE
F51	Climate Control, AC Blower Batt.	HA 0 A
F52	LVD Sense/ Qualcomm/ Mobile Max 2	AA 0 B
F52	LVD Sense/ Qualcomm/ Mobile Max 2	BE 2 A
F52	LVD Sense/ Qualcomm/ Mobile Max 2	BG 0 A
F53	Central Locks Batt.	AA 1 B
F53	Central Locks Batt.	IF 2 A
F54	ABS 1.	AA 1 B
F54	ABS 1.	EA 2 A
F54	ABS 1.	EC 2 A
F54	ABS 1.	EG 2 A
F55	FUSE, BENDIX FUSION	AA 1 B
F55	FUSE, BENDIX FUSION	JH 0 A
F56	FUSE, METHANE DETECT	AA 2 E
F56	FUSE, METHANE DETECT	CM 0 A
F57	LDWS	AA 3 E
F57	LDWS	JG 2 A
F57	LDWS	JH 0 A
F58	LCM/LCP IGN./ Central Locks/ IGN.	AA 3 E
F58	LCM/LCP IGN./ Central Locks/ IGN.	GA 1 A
F59	Volvo Link/ QualComm IGN./Mobile Max 2	AA 3 E
F59	Volvo Link/ QualComm IGN./Mobile Max 2	BE 2 A
F59	Volvo Link/ QualComm IGN./Mobile Max 2	BG 0 A
F60	LECM IGN.	AA 3 E
F60	LECM IGN.	HB 3 A
F61	Road Relay Ign.	AA 4 E
F61	Road Relay Ign.	BC 1 A
F62	BACKUP LAMPS	AA 4 E
F62	BACKUP LAMPS	GK 3 A
F63	Lift Axle/ BB Reverse/ Susp. Dump/ Fifth	AA 3 D
F63	Lift Axle/ BB Reverse/ Susp. Dump/ Fifth	FC 1 A
F64	BB IGN-Y	AA 3 D
F64	BB IGN-Y	BH 1 A
F65	BB IGN-X	AA 3 D
F65	BB IGN-X	BH 0 A
F66	IGN. EXP/ Sec. Instrument	AA 3 D
F66	IGN. EXP/ Sec. Instrument	BD 2 A
F67	VORAD/ ECS/ACC	AA 4 D
F67	VORAD/ ECS/ACC	EB 3 A
F67	VORAD/ ECS/ACC	EH 3 A
F67	VORAD/ ECS/ACC	JE 0 A
F68	I SHIFT GECU	AA 4 D
F68	I SHIFT GECU	DA 1 B
F69	ISHIFT TECU	AA 4 D
F69	ISHIFT TECU	DA 0 B
F76	Not Used	AA 0 D
F77	12V Power Outlets, Dash	AA 0 D
F77	12V Power Outlets, Dash	IG 0 A
F78	Dome/ Door Lamps	AA 1 D
F78	Dome/ Door Lamps	IA 2 A
F79	CB Power Studs	AA 1 D

REFERENCES

REF	DESCRIPTION	PAGE
F79	CB Power Studs	IG 2 A
F80	12V Socket, D.S. Cab, Sleeper	AA 1 D
F80	12V Socket, D.S. Cab, Sleeper	IG 4 A
F81	Auxiliary Switches 1 / 2	AA 1 D
F81	Auxiliary Switches 1 / 2	NA 1 A
F82	12V Power Overhead	AA 2 D
F82	12V Power Overhead	IG 2 A
F90	FUSE SINK PUMP	HE 0 C
F90	FUSE SINK PUMP	HH 0 C
FB03	FUSE, BAT. POWER OMNIVISION	BE 3 B
FB8	FUSE REMOTE SENSE ALT.	AM 4 C
FB08	FUSE METHANE DETECTION	CM 4 C
FB09	FUSE INVERTER	HI 1 B
FE1	TRAILER STOP RELAY	AC 0 B
FE1	TRAILER STOP RELAY	MA 1 A
FE2	RELAY TRAILER CLEARANCE	AC 1 B
FE2	RELAY TRAILER CLEARANCE	MA 1 A
FE3	RELAY TRAILER MARKER	AC 1 B
FE3	RELAY TRAILER MARKER	MA 2 A
FE4	EMS MAIN VOLVO/ CUMMINS	AC 2 C
FE4	EMS MAIN VOLVO/ CUMMINS	AG 2 A
FE5	ACM EMS	AC 2 C
FE5	ACM EMS	AG 3 A
FE5	ACM EMS	BP 2 A
FE6	VECU/ WATER IN FUEL SW/ ENG. BRAKE	AC 2 C
FE6	VECU/ WATER IN FUEL SW/ ENG. BRAKE	AG 0 A
FE7	BODY BUILDER MODULE	AC 2 C
FE7	BODY BUILDER MODULE	AG 0 A
FE8	EMS COM 1	AC 3 C
FE8	EMS COM 1	AG 3 A
FE8	EMS COM 1	CL 3 A
FE9	EMS COMP 2	AC 3 C
FE9	EMS COMP 2	AG 4 A
FE9	EMS COMP 2	CL 3 A
FE10	TRAILER AUX/ABS	AC 3 C
FE10	TRAILER AUX/ABS	MA 3 A
FE11	ABS IGN	AC 3 C
FE11	ABS IGN	EA 2 A
FE11	ABS IGN	EC 2 A
FE11	ABS IGN	EG 2 A
FE12	FUEL HEAT	AC 3 C
FE12	FUEL HEAT	CE 2 A
FE13	AIR DRYER	AC 4 C
FE13	AIR DRYER	FA 2 A
FE14	TPM	AC 4 C
FE14	TPM	FG 0 A
FE15	LNG FAN	AC 4 C
FE16	FAN FUEL COOLER	AC 4 C
FE17	CES/ SPARE	AD 0 B
FE17	CES/ SPARE	CP 3 A

REF	DESCRIPTION	PAGE
FE18	CUMMINS ISX/ ISX-G	AD 0 B
FE18	CUMMINS ISX/ ISX-G	CC 1 A
FE18	CUMMINS ISX/ ISX-G	CL 3 A
FE19	AUTO TRANS: ALLISON/ EATON	AD 1 B
FE19	AUTO TRANS: ALLISON/ EATON	DB 4 A
FE19	AUTO TRANS: ALLISON/ EATON	DF 0 A
FE20	TRAILER LEFT TURN	AD 1 B
FE20	TRAILER LEFT TURN	MA 3 B
FE21	TRAILER RIGHT TURN	AD 1 B
FE21	TRAILER RIGHT TURN	MA 3 B
FE22	FUSE CUMMINS ICM	AD 1 B
FE23	SPARE	AD 2 B
FE24	FUSE CUMMINS MAF	AD 2 B
FE25	UREA HEATED LINES	AD 0 B
FE25	UREA HEATED LINES	CD 1 A
FE25	UREA HEATED LINES	CP 1 A
FEM01	FUSE, MAIN POWER	AB 3 A
FEM02	FUSE, GROUND PROTECTION	AN 2 C
FEM03A	CIRCUIT BREAKER LIFT GATE	ND 2 D
FEM03B	CIRCUIT BREAKER LIFT GATE	ND 2 D
FEM04	150A MAIN CAB FUSE	AB 3 B
FFB06A	AUX BATT TO PARK HTR	HJ 2 B
FFB07A	AUX BATT TO BATT MONITOR	HJ 3 B
FFB08A	FUSE, INLINE LVD TO BATTERY MONITOR	HJ 3 B
FM08A	TRUCK BATT TO BATT MONITOR FUSE	HJ 3 D
FM A5	FUSE AUX AC	HJ 2 B
FT01	FUSE ACM	CK 0 B
FT02A	FUSE, CLUTCH, POWER	DB 0 D
FT03	FUSE DISCONNECT SWITCH	AM 3 D
FT04	FUSE DISCONNECT SOLENOID	AM 2 D
FT05	FUSE DCU	CC 3 B
FT05	FUSE DCU	CN 3 B
FT06	CUMMINS UREA PUMP	CN 3 A
G01	BATTERY	AB 4 B
G01	BATTERY	AE 1 D
G01	BATTERY	AF 2 C
G01	BATTERY	AL 0 D
G01	BATTERY	AM 1 D
G01	BATTERY	AN 0 D
G01	BATTERY	CC 4 A
G01	BATTERY	CK 0 A
G01	BATTERY	CM 4 C
G01	BATTERY	CN 4 A
G01	BATTERY	DB 0 E
G01	BATTERY	HI 2 B
G01	BATTERY	HJ 4 D
G01	BATTERY	ND 2 D
G01B	Battery Ring Battery 2	BL 2 B
G01C	Battery Ring Battery 3	BL 1 C
G01D	Battery 4	BL 1 D

REFERENCES

REF	DESCRIPTION	PAGE
G01E	BATTERY 1	BL 1 B
G01F	AUX BATTERY	HJ 2 C
G02	ALTERNATOR	AE 2 A
G02	ALTERNATOR	AF 2 C
G02	ALTERNATOR	AL 1 A
G02	ALTERNATOR	AM 1 D
G02	ALTERNATOR	AN 1 A
G03H	INVERTER 12VDC/120VAC	HI 0 B
G03J	INVERTER DISPLAY	HI 0 C
G04	POWER DISTRIBUTION UNIT, 120VAC	HC 1 B
G04	POWER DISTRIBUTION UNIT, 120VAC	HI 2 B
G05A	12V, DASH POWER OUTLET	IG 0 C
G05E	12V SOCKET, RADIO SHELF	IG 2 C
G05F	12V DASH POWER OUTLET	IG 0 C
G06A	12V STUDS, CB DASH	IG 3 D
G06B	12V STUDS, CB OVERHEAD	IG 2 D
H02A	HORN DUAL TONE 1	GO 1 D
H02A_S	CITY HORN SERVICE	GO 4 E
H03	BACKUP ALARM	GF 3 D
H03	BACKUP ALARM	GK 1 E
H05	Buzzer	IA 3 C
H16	METHANE FUME DETECTOR	CM 2 B
H17	METHANE DETECTION STATUS	CM 2 B
L E10LED	LH LED TAIL LAMP	GF 0 C
M01	WINDSHIELD WIPER MOTOR	GP 2 D
M02	Motor, windscreen washer pump	GP 3 B
M04	MOTOR, STARTER	AE 1 B
M04	MOTOR, STARTER	AF 2 A
M04	MOTOR, STARTER	AL 0 B
M04	MOTOR, STARTER	AM 0 B
M04	MOTOR, STARTER	AN 0 B
M04A	MOTOR STARTER TC	AE 0 B
M04A	MOTOR STARTER TC	AF 3 A
M04B	MOTOR STARTER CUMMINS	AM 1 B
M06DS	Motor, Window Winder D.S.	IC 1 C
M06PS	Motor, Window Winder P.S.	IC 2 E
M18	MOTOR SINK PUMP	HE 0 D
M18	MOTOR SINK PUMP	HH 0 D
M20L	HEATED SEAT, LEFT	IB 1 D
M20R	HEATED SEAT, RIGHT	IB 2 D
M41	MOTOR PUMP UREA	CN 2 C
M55	Condensor Fan, Parking Cooler	HJ 0 D
M80L	Drivers Side Door Lock Control Assembly	IA 3 D
M80L	Drivers Side Door Lock Control Assembly	IF 1 D
M80LS	DRIVERS SIDE COURTESY LAMP SWITCH	IA 3 B
M80R	Passenger Side Door Lock Control Assembly	IA 3 D
M80R	Passenger Side Door Lock Control Assembly	IF 2 D
M110L	Mirror Motors & Heater, LHS	IC 0 B
M110L	Mirror Motors & Heater, LHS	IE 1 C
M110R	Mirror Motors & Heater, RHS	IC 3 B

REF	DESCRIPTION	PAGE
M110R	Mirror Motors & Heater, RHS	IE 3 C
MCDE2	DIAGNOSTIC CONNECTOR	BG 3 D
OBD		XA 2 D
OBD-II	ON-BOARD-DIAGNOSTICS VENDEND	XF 3 D
R01A	Heater Engine Preheat 110V	CA 2 D
R05A	AIR DRYER	FA 3 C
R05C	AIR DRYER	FA 3 C
R08A	TERMINATION RESISTOR	CC 0 B
R08A	TERMINATION RESISTOR	CN 0 B
R08B	TERMINATING RESISTOR	EB 0 A
R08B	TERMINATING RESISTOR	EH 0 A
R08C	TERMINATING RESISTOR	XB 0 C
R08E	RESISTOR J1939 TERMINATION	JG 2 C
R08E	RESISTOR J1939 TERMINATION	JH 1 E
R08F	TERMINATION RESISTOR, CAN-BUS	BC 2 D
R08G	TERMINATING RESISTOR	BE 3 C
R08H	TERMINATING RESISTOR CAN 7	KH 3 B
R08H	TERMINATING RESISTOR CAN 7	XC 2 C
R08I	TERMINATING RESISTOR	CD 2 B
R08I	TERMINATING RESISTOR	CP 2 B
R08M	TERMINATING RESISTOR CAN-BUS	XA 0 C
R08N	TERMINATING RESISTOR, CAN-BUS	BI 3 B
R08N	TERMINATING RESISTOR, CAN-BUS	BM 3 A
R09	Heater, fuel filter	CE 2 C
R09B	HEATER, FUEL FILTER	CE 2 C
R15	Windscreen heater	IB 4 D
R18A	HEATER DRAIN VALVE	FA 0 C
R18B	HEATER DRAIN VALVE	FA 1 C
R21	Termination resistor	XA 0 B
R21	Termination resistor	XF 3 C
R21 TGW	TERMINATING RESISTOR TGW OVERLAY	BJ 2 B
R21A	TERMINATING RESISTOR DL10	XF 2 D
R21B	TERMINATING RESISTOR DL10	XF 1 C
R29	Heater, NOxCare tank to pump hose	CD 1 C
R29	Heater, NOxCare tank to pump hose	CK 4 D
R29	Heater, NOxCare tank to pump hose	CP 1 C
R30	HEATER, BACKFLOW HOSE	CD 2 C
R30	HEATER, BACKFLOW HOSE	CP 2 C
R31	Heater, NOxCare pump to injector hose	CD 1 C
R31	Heater, NOxCare pump to injector hose	CK 3 E
R31	Heater, NOxCare pump to injector hose	CP 1 C
R E10LED	RH LED TAIL LAMP	GF 1 C
RE01	RELAY TRAILER STOP	AC 0 C
RE01	RELAY TRAILER STOP	MA 0 B
RE02	RELAY TRAILER CLEARANCE	AC 1 C
RE02	RELAY TRAILER CLEARANCE	MA 1 B
RE03	RELAY TRAILER MARKER	AC 1 C
RE03	RELAY TRAILER MARKER	MA 2 B
RE04	EFRC RELAY, EMS	AC 2 C
RE04	EFRC RELAY, EMS	AG 1 B

REFERENCES

REF	DESCRIPTION	PAGE
RE05	EFRC RELAY, IGN	AC 3 C
RE06	RELAY CAND CONDITIONER	AD 2 B
RE06	RELAY CAND CONDITIONER	BP 3 B
RE07	VOLVO FUEL COOLER CUMMINS DEF MODE	AD 3 B
RE07	VOLVO FUEL COOLER CUMMINS DEF MODE	BP 1 B
RE07	VOLVO FUEL COOLER CUMMINS DEF MODE	CC 1 B
RE07	VOLVO FUEL COOLER CUMMINS DEF MODE	CN 1 B
RE08	CES	AD 2 D
RE08	CES	CP 3 B
RE09	UREA HEATER TANK TO PUMP	AD 0 D
RE09	UREA HEATER TANK TO PUMP	CD 1 B
RE09	UREA HEATER TANK TO PUMP	CP 1 B
RE10	UREA HEATER PUMP TO INJ.	AD 1 D
RE10	UREA HEATER PUMP TO INJ.	CD 1 B
RE10	UREA HEATER PUMP TO INJ.	CP 1 B
RE11	UREA HEATER BACKFLOW	AD 1 D
RE11	UREA HEATER BACKFLOW	CD 2 B
RE11	UREA HEATER BACKFLOW	CP 2 B
RLY02	RELAY, POWER ACCESSORIES	AB 2 D
RLY03	RELAY DOOR ALARM	IA 3 C
RLY04	RELAY PARK BRAKE ALARM	IA 4 C
RLY05	RELAY, POWER IGNITION 1	AB 1 D
RLY06	RELAY RADIO WAKE	KE 0 B
RLY06	RELAY RADIO WAKE	KF 2 B
RLY06	RELAY RADIO WAKE	KG 0 B
RLY07	RELAY, PTO	DP 1 B
RLY08	RELAY, POWER IGNITION 2	AA 2 C
RLY10	RELAY, CITY HORN	GQ 1 C
RLY11	RELAY, DOME/ DOOR LAMPS	IA 2 C
RLY12	RELAY, INTERMITTENT WIPER	GP 0 B
RLY13	RELAY, AUTOSHIFT	DB 2 B
RLY13_1	RELAY, START ENABLE	DF 2 B
RLY13_3	RELAY NEUTRAL START I-SHIFT	AI 2 D
RLY14	Relay Lift Axle/ Reverse	FB 3 B
RLY14	Relay Lift Axle/ Reverse	GK 1 B
RLY15	RELAY REMOTE START ENABLE	BM 5 B
RLY16	RELAY, BODY BUILDER REMOTE THROTTLE INC	AH 2 C
RLY17	RELAY, BODY BUILDER REMOTE THROTTLE DE	AH 3 B
RLY23	RELAY, ER2 ALLISON BODY BUILDER	DF 4 B
RLY24	RELAY, ER1 ALLISON BODY BUILDER	DF 3 B
RLY26	SNOWPLOW LH ER4	GI 2 C
RLY27	SNOWPLOW RH ER9	GI 1 C
RLY28	SNOWPLOW LCM INPUT ER7	GI 3 C
RLY33B	RELAY, ER3 I-SHIFT POWER	DA 1 B
RLY34	RELAY, ER4 ECS POWER	EB 4 B
RLY34	RELAY, ER4 ECS POWER	EH 4 B
RLY38	RELAY, ROOF MARKER LAMPS, ER1	GC 2 B
RLY41	RELAY, PARK BRAKE	HB 4 C
RLYER5	RELAY, METHANE DETECT	CM 0 C
RLYER6	RELAY METHANE DETECTOR	CM 0 B

REF	DESCRIPTION	PAGE
RLYSA1	RELAY SERVICE OVERLAY1	JJ 2 C
S01	Switch, main lighting, selector type	GA 1 C
S02	Stalk Switch, Full-Dipped Beams/ Cruise	AH 2 B
S02	Stalk Switch, Full-Dipped Beams/ Cruise	GA 2 B
S04	SWITCH, CLIMATE FAN SELECTOR TYPE	HB 0 B
S05	SWITCH, INTERIOR LIGHTING	HD 0 B
S05	SWITCH, INTERIOR LIGHTING	HE 2 D
S05	SWITCH, INTERIOR LIGHTING	HH 2 D
S06	SWITCHES, WINDSHIELD WIPER/CLUSTER STALK	BA 1 C
S06	SWITCHES, WINDSHIELD WIPER/CLUSTER STALK	GP 0 C
S07	SWITCH, ENGINE BRAKE SELECTOR TYPE	AJ 3 D
S07B	SWITCH, ENGINE BRAKE ON/OFF	AJ 2 B
S08	SWITCH, DIFFERENTIAL GEAR LOCK, INTERWHEEL	FD 1 B
S09	SWITCH, DIFFERENTIAL GEAR LOCKS, INTERAXLE	FD 2 B
S11A	SWITCH, LIFT AXLE	FB 0 C
S11B	SWITCH, LIFT AXLE	FB 1 C
S11C	SWITCH, LIFT AXLE	FB 2 C
S11D	SWITCH, AIR SUSPENSION MANUAL CONTROL ON/OFF	EH 2 D
S11D	SWITCH, AIR SUSPENSION MANUAL CONTROL ON/OFF	EH 2 D
S11E	SWITCH, SUSP. CTRL. UP/DOWN	EB 3 D
S11E	SWITCH, SUSP. CTRL. UP/DOWN	EH 3 D
S11F	LOAD DISTRIBUTION SWITCH	EH 3 B
S12	SWITCH, SNOWPLOW LAMP	GI 2 B
S14A	Switch, City Horn/Air Horn	GQ 1 C
S15	SWITCH, IGNITION	AB 1 B
S24	SWITCH, STALK, ENGINE BRAKE	AJ 2 D
S24A	STALK SWITCH, RETARDER, ALLISON	DE 4 D
S24C	SWITCH, ON/OFF RETARDER, ALLISON	DE 4 C
S24D	SWITCH STALK ENGINE BRAKE	AJ 1 D
S28A	SWITCH, PTO (POWER TAKE-OFF)	DP 2 C
S28B	SWITCH, PTO (POWER TAKE-OFF)	DP 3 C
S28C	SWITCH, PTO (POWER TAKE-OFF)	DP 4 C
S28J	SWITCH, DUAL PTO ISHIFT	BI 2 B
S28J	SWITCH, DUAL PTO ISHIFT	BM 2 B
S31	Switch, TCS (Traction Control System)	EA 3 B
S31	Switch, TCS (Traction Control System)	EC 4 B
S31	Switch, TCS (Traction Control System)	EG 3 B
S41	Switch, battery main switch control	AM 2 C
S43	PRESSURE SWITCH, PARKING BRAKE INDICATOR, AH	4 D
S43A	SWITCH, PRESSURE PARK BRAKE, N.C.	DF 2 E
S43B	PRESSURE SWITCH, PARK BRAKE N.C.	DB 2 D
S43C	TRAILER PARK DETECTION SWITCH, N.C.	GA 3 B
S45BA	EATON	BB 2 B
S45BB	VOLVO	BB 1 B
S45BC	ROCKWELL	BB 2 B
S047	SW. IWDL FRONT ENGAGED	BB 3 B
S047A	SW. IWDL 3RD AXLE. ENGAGED	BB 3 B
S48	Pressure switch, brake light, NO.	GB 3 D
S48A	PRESSURE, SWITCH SERVICE BRAKE N.C.	AI 3 E
S048B	SW. IWDL REAR-REAR ENGAGED	BB 4 B

REFERENCES

REF	DESCRIPTION	PAGE
S49	Position switch, reverse lamps, NO.	GK 2 B
S58	Position Switch, Clutch Pedal	AI 3 B
S59	Position switch, brake pedal, NO.	AI 3 C
S61A	Position Switch, Seat Belt Lock, NO	IB 0 D
S75	SWITCH, BEACON WARNING LIGHT	GJ 1 B
S76	SWITCH, SPOTLIGHTS	GG 1 C
S80	DOOR LOCK CONTROL MODULE	IF 1 B
S80D	Driver Side Door Control Panel	IC 2 B
S80P	Passenger Side Door Control Panel	IC 2 D
S87	SWITCH SINK/ FAUCET	HE 0 C
S87	SWITCH SINK/ FAUCET	HH 0 C
S88	SWITCH, 5th WHEEL SLIDE	FC 2 B
S89	Position switch, Hood tilt	BM 5 B
S93	SWITCH, SUSPENSION DUMP	FC 0 B
S97	SWITCH, INSIDE/OUTSIDE AIR CLEANER	CH 2 B
S101	Position switch, gear box neutral position	DB 1 C
S104	SWITCH, MARKER INTERRUPT	JD 2 C
S104A	SWITCH, AUX 1	NA 1 C
S104B	SWITCH, AUX 2	NA 2 C
S104C	SWITCH, AUX 3	NA 3 C
S104D	SWITCH, AUX 4	NA 4 C
S121	SWITCH, TOUCH LOCK	FF 1 C
S169	Switch, Battery Main	AB 4 A
S169	Switch, Battery Main	AF 2 B
S169	Switch, Battery Main	AM 1 C
S169	Switch, Battery Main	HI 2 B
S169A	SWITCH BATTERY BI-STABLE	AM 3 C
S171	SWITCH, GEAR LEVER I-SHIFT	DA 1 D
S171A	SWITCH GEAR LEVER I-SHIFT PUSH BUTTON	DA 3 D
S171B	Solenoid, B 5th Wheel Release	FF 3 D
S202	Switch, LDWS, Lane Departure Warning Sys	JG 3 C
S202	Switch, LDWS, Lane Departure Warning Sys	JH 1 B
S212	SWITCH HILL ASSIST	EC 1 D
S212	SWITCH HILL ASSIST	EG 4 B
S223	SWITCH, ECO ROLL	AH 1 E
S234	Switch, Heated Windshield	IB 3 B
S316	SWITCH ENGINE START ENABLE REAR	BM 4 B
SK141A	SPLICE PACK, ILLUMINATION	DA 1 A
SK141A	SPLICE PACK, ILLUMINATION	DB 1 A
SK141A	SPLICE PACK, ILLUMINATION	DP 2 A
SK141A	SPLICE PACK, ILLUMINATION	EB 4 A
SK141A	SPLICE PACK, ILLUMINATION	EH 4 A
SK141A	SPLICE PACK, ILLUMINATION	FB 0 A
SK141A	SPLICE PACK, ILLUMINATION	FC 0 A
SK141A	SPLICE PACK, ILLUMINATION	FD 1 A
SK141A	SPLICE PACK, ILLUMINATION	GB 0 A
SK141A	SPLICE PACK, ILLUMINATION	HB 0 A
SK141A	SPLICE PACK, ILLUMINATION	JD 2 A
SK141A	SPLICE PACK, ILLUMINATION	JH 1 A
SK141B	SPLICE PACK, ILLUMINATION	CH 2 A

REF	DESCRIPTION	PAGE
SK141B	SPLICE PACK, ILLUMINATION	DE 4 A
SK141B	SPLICE PACK, ILLUMINATION	EA 3 A
SK141B	SPLICE PACK, ILLUMINATION	EC 3 A
SK141B	SPLICE PACK, ILLUMINATION	EG 3 A
SK141B	SPLICE PACK, ILLUMINATION	GB 1 A
SK141B	SPLICE PACK, ILLUMINATION	GI 2 A
SKX03D	SPLICE PACK	AE 3 C
SKX03D	SPLICE PACK	BD 1 D
SKX03D	SPLICE PACK	CM 0 D
SKX03D	SPLICE PACK	GB 1 D
SKX03D	SPLICE PACK	IB 1 D
SKX03F A	SPLICE PACK	AA 3 C
SKX03F A	SPLICE PACK	AB 0 E
SKX03F A	SPLICE PACK	AE 3 B
SKX03F A	SPLICE PACK	DF 4 C
SKX03F A	SPLICE PACK	DP 2 D
SKX03F A	SPLICE PACK	EB 4 D
SKX03F A	SPLICE PACK	EH 4 D
SKX03F A	SPLICE PACK	GI 1 E
SKX03F A	SPLICE PACK	IA 4 C
SKX03F A	SPLICE PACK	IB 2 D
SKX03F A	SPLICE PACK	IF 2 D
SKX03F A	SPLICE PACK	JG 2 D
SKX03F A	SPLICE PACK	JH 0 D
SKX03F A	SPLICE PACK	KE 0 C
SKX03F A	SPLICE PACK	KF 1 B
SKX03F A	SPLICE PACK	KG 0 B
SKX03F B	SPLICE PACK	AE 4 B
SKX03F B	SPLICE PACK	BH 0 E
SKX03F B	SPLICE PACK	CH 2 D
SKX03F B	SPLICE PACK	FB 3 D
SKX03F B	SPLICE PACK	FC 0 E
SKX03F B	SPLICE PACK	FD 0 E
SKX03F B	SPLICE PACK	GK 2 C
SKX03F B	SPLICE PACK	IC 1 E
TC01	J560 PLUG, 7 PIN	MA 0 D
TC02	J560 PLUG, 7 PIN	MA 2 D
TC03	J560 RECEPTACLE WITH QCS2, 7 PIN	MB 1 B
TC04	J560 PLUG, 7 PIN	MB 1 C
TC05	J560 PLUG, 7 PIN	MB 1 D
TC06	J560 PLUG, 7 PIN	MB 2 C
TC07	J560 PLUG, 7 PIN	MB 2 D
TC08	J560 RECEPTACLE WITH QCS2, 7 PIN	MB 0 D
U01	STUD, POWER 1	AA 1 A
U01	STUD, POWER 1	AB 3 B
U01	STUD, POWER 1	CD 1 A
U01	STUD, POWER 1	CP 1 A
U01	STUD, POWER 1	DB 1 C
V23	Diode, Water heater	CA 3 B
X02	STUD, ENGINE BLOCK	AE 2 C

REFERENCES

REF	DESCRIPTION	PAGE
X02	STUD, ENGINE BLOCK	AL 1 C
X02	STUD, ENGINE BLOCK	AN 1 C
X02	STUD, ENGINE BLOCK	CC 4 B
X02	STUD, ENGINE BLOCK	CL 3 B
X02	STUD, ENGINE BLOCK	CN 4 B
X02	STUD, ENGINE BLOCK	HA 0 E
X03	STUD, CAB	AE 3 D
X03	STUD, CAB	AG 1 D
X03	STUD, CAB	AL 1 D
X03	STUD, CAB	AN 2 D
X03	STUD, CAB	CB 1 D
X07B	12V SOCKET, PANEL	IG 3 C
X07C	Socket, 12V	IG 4 C
X07D	12V SOCKET TV/VCR	HD 1 C
X07D	12V SOCKET TV/VCR	HE 1 C
X07D	12V SOCKET TV/VCR	HH 2 C
X07H	12V SOCKET COOLER P.S.	IG 3 C
X07K	12V SOCKET, PANEL	IG 4 C
X11	Connector, Engine	CB 1 C
X11A	CONNECTORS CUMMINS ISX-G ENGINE INTERFACE	CL 1 C
X17A	Auxiliary Connector 1	NA 1 C
X17A1	CONNECTOR INTERNAL AUX SW POWER 1	NA 1 D
X17B	Auxiliary Connector 2	NA 2 C
X17B1	CONNECTOR INTERNAL AUX SW POWER 2	NA 2 D
X17C	Auxiliary Connector 3	NA 3 C
X17C1	CONNECTOR INTERNAL AUX SW POWER 3	NA 3 D
X17D	Auxiliary Connector 4	NA 4 C
X24	Socket, +12V Accessories power supply	IG 3 E
X45	Receptacle Engine Heater 110V	CA 2 B
X62	Connector, Tail lift preparation	ND 2 A
X62A	CONNECTOR LIFT GATE	ND 2 A
X66	Connector, USB, Audio	KD 1 C
X67	Connector, AUX, Audio	KD 1 B
X87	Connector, Cummins Crossover (14 way)	CP 4 D
X89	Connector, Water-in-fuel Sensor	CD 0 C
X89	Connector, Water-in-fuel Sensor	CP 0 C
X147B	CONNECTOR RS232	JH 4 C
X192	CONNECTOR CUMMINS CES	CP 2 D
Y11	ABS VALVE LH 1ST AXLE	EA 1 B
Y11	ABS VALVE LH 1ST AXLE	EC 1 B
Y11	ABS VALVE LH 1ST AXLE	EG 1 B
Y12	ABS VALVE RH 1ST AXLE	EA 0 B
Y12	ABS VALVE RH 1ST AXLE	EC 0 B
Y12	ABS VALVE RH 1ST AXLE	EG 0 B
Y13	ABS VALVE LH 2ND AXLE	EA 2 D
Y13	ABS VALVE LH 2ND AXLE	EC 1 B
Y13	ABS VALVE LH 2ND AXLE	EG 1 B
Y14	ABS VALVE RH 2ND AXLE	EA 1 D
Y14	ABS VALVE RH 2ND AXLE	EC 0 E
Y14	ABS VALVE RH 2ND AXLE	EG 0 E

REF	DESCRIPTION	PAGE
Y15	ABS VALVE LH 3RD AXLE	EA 4 D
Y15	ABS VALVE LH 3RD AXLE	EC 2 D
Y15	ABS VALVE LH 3RD AXLE	EG 2 E
Y16	ABS VALVE RH 3RD AXLE	EA 3 D
Y16	ABS VALVE RH 3RD AXLE	EC 2 D
Y16	ABS VALVE RH 3RD AXLE	EG 2 E
Y18A	SOLENOID VALVE, SINGLE PTO	DP 1 D
Y18B	SOLENOID VALVE, DUAL PTO ENGINE MOUNTED	DP 4 D
Y18G	SOLENOID TRANS. PTO 1	DA 3 B
Y18G	SOLENOID TRANS. PTO 1	DP 0 D
Y18H	SOLENOID TRANS PTO 2	DA 3 B
Y18H	SOLENOID TRANS PTO 2	DP 0 C
Y25A	SOLENOID, LEVEL CONTROL DRIVE AXLES	EB 1 B
Y25A	SOLENOID, LEVEL CONTROL DRIVE AXLES	EH 1 A
Y29A	SOLENOID, LEVEL CONTROL AUX. AXLE	EB 2 B
Y29A	SOLENOID, LEVEL CONTROL AUX. AXLE	EH 2 A
Y35	Solenoid, Engine Fan	CB 2 B
Y35	Solenoid, Engine Fan	CC 0 A
Y35	Solenoid, Engine Fan	CL 3 E
Y35	Solenoid, Engine Fan	CN 1 A
Y35A	SOLENOID ENGINE FAN	CC 1 B
Y35A	SOLENOID ENGINE FAN	CN 1 B
Y35E	SOLENOID, ENGINE FAN E-VISCO	CL 3 D
Y42	Clutch, magnetic, air conditioning compr	HA 1 D
Y51	Solenoid valve, Air dryer	FA 4 C
Y53	SOLENOID, ETHER START	CA 0 C
Y57	SOLENOID VALVE, TRAC CONTROL	EA 1 D
Y57	SOLENOID VALVE, TRAC CONTROL	EC 3 D
Y57	SOLENOID VALVE, TRAC CONTROL	EG 3 D
Y57A	SOLENOID VALVE, TRAC CONTROL ESP	ED 0 C
Y64	Solenoid, Retarder Air Accumulator	DE 1 B
Y80	Solenoid valve, AdBlue dosing unit	CK 3 B
Y80A	Solenoid valve, AdBlue dosing unit	CD 0 C
Y81	Solenoid valve, urea heating tank	CK 2 D
Y81A	Solenoid valve, urea heating tank	CD 1 C
Y81A	Solenoid valve, urea heating tank	CP 1 C
Y100	SOLENOID VALVE TRAILER ABS ESP	ED 4 C
Y106	SOLENOID HILL ASSIST BRAKE	EC 3 D
Y106	SOLENOID HILL ASSIST BRAKE	EG 3 D
Y110	SOLENOID VALVE, OIL THERMOSTAT	DA 4 C
Z01	VEHICLE DIAGNOSTICS	XA 0 B
Z02	TRAILER CONNECTION, 7-POLE UNIT, 24N	MA 3 C
Z03A	BODY BUILDER CONNECTOR #1	BH 0 C
Z03AJ	BODYBUILDER CONNECTOR #1JPR	BN 0 B
Z03B	BODY BUILDER CONNECTOR #2	BH 2 B
Z03BJ	BODYBUILDER CONNECTOR #2JPR	BN 2 B
Z03C	BODY BUILDER CONNECTOR #3	BI 1 D
Z03C	BODY BUILDER CONNECTOR #3	BM 2 D
Z03D	BODY BUILDER CONNECTOR #4	BI 3 D
Z03D	BODY BUILDER CONNECTOR #4	BM 4 D

0

1

2

3

4

REFERENCES

REF	DESCRIPTION	PAGE
Z04	BODY BUILDER CAMERA PREP	BH 1 B
Z05	Solenoid Pack	CH 3 D
Z05	Solenoid Pack	FB 1 D
Z05	Solenoid Pack	FC 3 D
Z05	Solenoid Pack	FD 2 D
Z05	Solenoid Pack	FF 1 D
Z05	Solenoid Pack	GQ 2 C
Z06	STEERING WHEEL CONTACT REEL	BB 1 E
Z06	STEERING WHEEL CONTACT REEL	GA 3 B
Z06	STEERING WHEEL CONTACT REEL	JA 1 D
Z08	CONNECTOR, ROAD RELAY	BC 0 C
Z10	ONBOARD DIAGNOSTIC CONNECTOR VENDOR ENGIN	XF 2 D
Z10CA	OPTION CONNECTOR A, CAB SIDE	BH 2 D
Z10CB	OPTION CONNECTOR B, CAB SIDE	BH 3 D
Z10FA	OPTION CONNECTOR A, CHASSIS SIDE	BH 2 D

REF	DESCRIPTION	PAGE
Z10FB	OPTION CONNECTOR B, CHASSIS SIDE	BH 3 D
Z13	OPTION CONNECTOR, SNOWPLOW LIGHTS	GI 1 D
Z15	CONNECTOR, BODYBUILDER - CAB SIDE	BH 1 E
Z16	CONNECTOR, BODYBUILDER	BH 1 D
Z17	RECEPTACLE, 120VAC	HC 1 D
Z17	RECEPTACLE, 120VAC	HI 2 D
Z18	RECEPTACLE, D.S. CABINET	HC 1 D
Z18	RECEPTACLE, D.S. CABINET	HI 3 C
Z19	RECEPTACLE, P.S. CABINET	HC 2 D
Z19	RECEPTACLE, P.S. CABINET	HI 3 C
Z20	RECEPTACLE, UNDER BUNK/ TABLE	HC 2 D
Z20	RECEPTACLE, UNDER BUNK/ TABLE	HI 4 C
Z21	QUALCOMM OMNIVISION PREP KIT	BE 2 C
Z23	CONNECTOR TGW2 PROGRAM	BJ 2 A

VOLVO Group Trucks Technology

Document title
12V SCHEMATIC VOLVO

Document type
PRODUCT SCHEMATIC

Document No

21849527

Issue

09

Volume

2 (2)

Page

43 (43)

0

1

2

3

4