



## Body Builder, General Guidelines and Certification VN (4) Section 0

### Introduction

The information in this document was developed to assist our customers throughout the body planning and installation process. This information will assist with the required specifications and guidelines for completion for your specific applications.

The information in this document does not include every unique situation that you may encounter when working on Volvo vehicles. Volvo Trucks North America cannot possibly know, evaluate or advise someone on all the types of work that can be done on a Volvo vehicle and all the appropriate ways to do such work. This includes all of the possible consequences of performing such work in a certain manner. Therefore, any situations or methods of working on a Volvo vehicle that are not addressed in this document are not necessarily approved by Volvo Trucks North America.

In the event that you require additional assistance, please contact Volvo Body Builder Support at 877-770-7575.

Unless otherwise stated, following the recommendations listed in this document does not automatically guarantee compliance with applicable government regulations. Compliance with applicable government regulations is your responsibility as the party making the additions/modifications. Please be advised that the Volvo Trucks North America vehicle warranty does not apply to any Volvo vehicle that has been modified in any way, which in Volvo's judgment might affect the vehicles stability or reliability. The information, specifications and illustrations in this document are based on information that was current at the time of publication. Note that illustrations are typical and may not reflect the exact arrangement of every component installed on a specific vehicle.

No part of this publication may be reproduced, stored in a retrieval system, or transmitted by any means including (but not limited to) electronically.

## Contents:

- “Introduction”, page 1
- “Glossary”, page 3
- “Security disclaimer”, page 3
- “Certification Label”, page 4
- “Center of Gravity”, page 6
- “Brake Modification Guidelines”, page 6
- “Air-operated Accessories”, page 8
- “Welding”, page 9
- “Jump charging”, page 11
- “Data Link Wiring”, page 13
- “Towing Procedure”, page 15
- “Weight Distribution”, page 19
- “Conversion Factors”, page 29
- “Chassis Diagrams, VNL”, page 31
- “Chassis Diagrams, VNR”, page 67
- “Fuel Tank Position”, page 103
  - “VNL – Fuel Tank Position”, page 103
  - “VNR – Fuel Tank Position”, page 108

# Glossary

<b>Gross Axle Weight Rating (GAWR)</b>	The maximum rated capacity is measured at the ground for a given axle system consisting of the axle, springs, wheels and tires. May also be influenced by the frame capacity. GAWR is determined by the least rated component in the system.
<b>Gross Vehicle Weight (GVW)</b>	The in-service vehicle weight, including chassis, body, add-on equipment and cargo.
<b>Gross Vehicle Weight Rating (GVWR)</b>	The manufacturer's maximum rated GVW for any given vehicle. GVWR is frequently the sum of the GAWRs. However, it may be downrated for braking or handling considerations.
<b>Payload Weight</b>	The actual weight of the cargo carried by a vehicle.
<b>Tare Weight</b>	The weight of a truck fully equipped and ready for service, minus any payload. Also called curb weight or empty weight. All trucks begin with a tare weight for the standard chassis, to which weights are added for optional equipment, fuel, body and equipment, plus driver and passengers.

## Notes

---

---

---

---

---

## Security disclaimer

The bodybuilder is responsible for ensuring adequate cybersecurity of the bodywork electronic equipment added to the vehicle. This includes, for example, safeguarding the integrity and authenticity of any wireless data communication. The bodybuilder is also responsible for fulfilling UN R155 vehicle type approval requirements (when applicable and in accordance with national regulations) for the additional electronics installed in the vehicle. Please note that Volvo UN R155 approval for the base vehicle is not valid if non-supported data communication network connections are used, see the warning below.



### WARNING

It is strictly forbidden to connect additional devices to internal data communication networks (CAN, LIN, Ethernet, etc.). This could severely affect the drivability of the truck. Volvo only allows data communication network connections for bodywork devices on the dedicated external data communication connectors that are intended for it:

- The BB CAN connector.
- The FMS connector.

All other connections or methods of access to the internal data communication networks are prohibited.

# General Guidelines

## Certification Label

The "Certification Label" must be part of the vehicle at all times. It shows the vehicle's serial number, the gross vehicle weight rating (GVWR), and the front and rear gross axle weight ratings (GAWR).

Gross vehicle weight (GVW) is the weight of the original equipped vehicle and all items added to it after it has left the factory. This includes bodies, winches, booms, the driver and all occupants, plus the load the vehicle is carrying. The GVW must not exceed the total of the front and rear axle weight ratings.

The vehicle certification label also shows the tire size and recommended tire inflation pressures for the tires originally supplied with the vehicle. The tires on the vehicle must be of the proper size and must be properly inflated for the load being carried.

## Incomplete Vehicle Document

The "Incomplete Vehicle Document" is issued with a temporary certification label, in place of the final certification label, when the vehicle is sent to a body builder for completion.

If several manufacturers are involved in the process of completing the vehicle, each manufacturer must issue a temporary certification label that shows to what legal standard the vehicle currently conforms.

The final manufacturer must issue the permanent certification label certifying that the vehicle conforms to FMVSS standards (as required by 49 CFR Part 567) that are in effect at the time of final manufacture of the incomplete vehicle.

If the vehicle is altered from its original build specifications, the certification label must be updated to reflect the changes (also see Service Bulletin, "Electrical Guidelines", "Brake Modification Guidelines", page 6, "Air-braked Vehicles", page 7 and "Air-operated Accessories", page 8).

MANUFACTURED BY: Volvo Trucks North America, Inc. MONTH AND YEAR OF MANUFACTURE: _____					THIS VEHICLE CONFORMS TO ALL APPLICABLE FEDERAL MOTOR VEHICLE SAFETY STANDARDS IN EFFECT ON THE DATE OF MANUFACTURE SHOWN ABOVE.	
GROSS VEHICLE WEIGHT RATING: GROSS AXLE WEIGHT RATING:					VIN _____	
	LBS/kg	TIRES	RIMS/WHEELS	PSI/KPA	(COLD INFLATION) Single	
FRONT:	_____ with	_____	_____	_____	_____	
FIRST INTERMEDIATE:	_____ with	_____	_____	_____	_____	CLASSIFICATION OF VEHICLE: TRUCK
SECOND INTERMEDIATE:	_____ with	_____	_____	_____	_____	FORM NO. 3680 97101-0026/VMS
REAR:	_____ with	_____	_____	_____	_____	
TAG:	_____ with	_____	_____	_____	_____	

W0117794

Fig. 1 Typical Vehicle Certification Label (USA)

MANUFACTURED BY : VOLVO TRUCKS NORTH AMERICA				THIS VEHICLE CONFORMS TO ALL APPLICABLE U.S.A. FEDERAL MOTOR VEHICLE SAFETY STANDARDS IN EFFECT ON THE DATE OF MANUFACTURE SHOWN.	
MONTH AND YEAR OF MANUFACTURE: _____					
GROSS VEHICLE WEIGHT RATING (KG/LBS) : _____ / _____				(COLD INFLATION) KPA / PSI	
GROSS AXLE WEIGHT RATING:	KG / LBS	TIRES	RIMS / WHEELS		
FRONT -	/			VIN _____	
PUSHER 1 -	/				
PUSHER 2 -	/				
PUSHER 3 -	/				
REAR (EACH) -	/			CLASSIFICATION OF VEHICLE :	
TAG -	/			20377823	

MANUFACTURED BY: VOLVO TRUCKS NORTH AMERICA, INC.					
MONTH AND YEAR OF MANUFACTURE: _____					
GVWR / PNBV (KG/LBS): _____					
GAWR / PNBE:	KG/LBS	TIRES	RIMS/WHEELS	(COLD INFLATION) KPA/PSI	
FRONT AXLE -		WITH		VIN _____	
1ST INTERMEDIATE AXLE -		WITH		TYPE: TT/CT	
2ND INTERMEDIATE AXLE -		WITH		20407029	
3RD INTERMEDIATE AXLE -		WITH			
REAR (EACH/CHACUN) -		WITH			
TAG AXLE -		WITH			

T0217324

Fig. 2 Typical Complete Vehicle Label

INCOMPLETE VEHICLE MANUFACTURED BY: VOLVO TRUCKS NORTH AMERICA		GROSS AXLE WEIGHT RATING: KG/LBS	
MONTH AND YEAR OF MANUFACTURE: _____		FRONT -	
GROSS VEHICLE WEIGHT RATING (KG/LBS): _____		1ST INTERMEDIATE -	
VIN _____		2ND INTERMEDIATE -	
[ ]		3RD INTERMEDIATE -	
		REAR (EACH) -	
		TAG -	
		84816966	

INCOMPLETE VEHICLE (VEHICULE INCOMPLET) MANUFACTURED BY: VOLVO TRUCKS NORTH AMERICA, INC.		MONTH AND YEAR OF MANUFACTURE: _____	
VEHICLE IDENTIFICATION NUMBER: _____		KG/LBS	
GAWR/PNBE - - FRONT AXLE:		GVWR/PNBV: _____ KG/LBS	
GAWR/PNBE - - 1ST INTERMEDIATE AXLE:			
GAWR/PNBE - - 2ND INTERMEDIATE AXLE:			
GAWR/PNBE - - 3RD INTERMEDIATE AXLE:			
GAWR/PNBE - - REAR AXLE (EACH/CHACUN):			
GAWR/PNBE - - TAG AXLE:			
		20533722	

T0217325

Fig. 3 Typical Incomplete Vehicle Label

# Center of Gravity

The vertical center of gravity of the completed vehicle has a direct effect on the vehicle's stopping distance capability. As the vertical center of gravity increases or the wheelbase decreases, additional weight is transferred to the front axle during a stop, adversely affecting the stopping distance.

VTNA requires that trucks built shall have a center of gravity height/wheelbase ratio of 0.50 or less when loaded to a weight not exceeding GVWR\* distributed proportionately to, but not exceeding GVWR,\* and a center of gravity height not exceeding 1778 mm (70 in.) on single rear axle vehicle or 1905 mm (75 in.) on tandem rear axle vehicles.

As a guide, the vertical center of gravity height of the incomplete vehicle, as manufactured by VTNA, may be assumed to be the distance from the ground to the top of the frame side rail measured at the longitudinal midpoint of the vehicle in the unladen condition for single axle vehicles and laden condition for tandem axle vehicles.

The frame rail height may be calculated from the chassis diagrams in this document. Also, if you are measuring an unloaded chassis, you may assume the loaded frame rail height to be approximately two inches lower than the bare chassis.

Vehicles completed as trucks could require a vertical center of gravity lower than the recommendations above based on the stability considerations of certain vocational body and/or usage situations. The above recommendations consider only vehicle brake performance. If higher vertical center of gravity limitations are required for a specific vocational body or application, contact VTNA or submit all chassis specifications along with body and payload information in a request for advice to: Product Information Dept./Sales Engineering.

\*GVWR and GAWR are indicated on the cover of the Incomplete Vehicle Document.

## Vehicle GVWR and GAWRs

The representation as to conformity of the complete vehicle to FMVSS-121 provided in the Incomplete Vehicle Document has a condition that the GVWR and the GAWR of the completed vehicle shall be identical to the ratings designated on the front cover of the Incomplete Vehicle Document for the vehicle. The brake system on each incomplete vehicle manufactured by Volvo Trucks North America (VTNA) is designed to comply with FMVSS-121 when loaded to a specific completed vehicle GVWR distributed proportionately to specific GAWR. Revised vehicle GVWR or GAWR, or the addition of axles to the vehicle will change loading conditions and can adversely affect compliance to FMVSS-121.

## Brake Modification Guidelines

Final stage manufacturers should note that in order to rely on the representations as to conformity to "FMVSS-121, Brake Systems" (as provided in the "Incomplete Vehicle Document", which accompanies each Volvo incomplete vehicle), each of the conditions and instructions of applicable FMVSS-121 statements in the Incomplete Vehicle Document must be followed.

If the final stage manufacturer chooses not to follow each of these instructions and conditions listed in the Incomplete Vehicle Document, he must assume full responsibility for conformity of the vehicle to FMVSS-121.

Final stage manufacturers should also note that the instructions provided are for the assistance of final stage manufacturers who choose to certify the completed vehicle to FMVSS-121 independently of and without reliance on the conformity representations provided in the Incomplete Vehicle Document.

# Air-braked Vehicles



## DANGER

Pneumatic components store compressed air and can separate violently during disassembly or removal. Before servicing any part of the pneumatic (air) system, completely release the air pressure. Failure to do so can result in serious personal injury or death.

Volvo air-brakes equipped with incomplete vehicle products, to the extent completed, comply with Federal Motor Vehicle Safety Standard 121, Air Brake Systems (specific completed vehicles exempt from the Standard or portions of the Standard are discussed below).

At the time of writing, FMVSS-121 is applicable to all current production air-brake equipped trucks with specific exceptions.

The statements contained in this section regarding FMVSS-121 compliance are accurate at the time of printing. However, these statements are not intended to replace the statements regarding FMVSS-121 in the Incomplete Vehicle Document. Therefore, that manual should be consulted for compliance conditions.

The following are components and characteristics of the completed vehicle, which are critical to the overall performance of air-braked vehicles. These items should be carefully considered in ordering a vehicle as well as planning vehicle completion by subsequent stage manufacturers to ensure compliance (final certification) of the completed vehicle to FMVSS-121 as well as completed vehicle integrity.

# Air-operated Accessories

FMVSS-121 has a pressure build-up requirement, which states that the system pressure must build up from 586 to 689 kPa (85 to 100 PSI) in a specific time period under certain conditions. Therefore, the addition of any accessory or its associated plumbing, which increases the volume of air subject to the build-up requirement will increase the build-up time and may affect compliance with FMVSS-121.

The representation as to conformity of the completed vehicle to FMVSS-121 provided in the Incomplete Vehicle Document has the following conditions for air-operated accessories and its associated plumbing added to a vehicle by a subsequent stage manufacturer.

## DANGER

Pneumatic components store compressed air and can separate violently during disassembly or removal. Before removing or replacing any part of the pneumatic (air) system, completely release the air pressure. Failure to do so can result in serious personal injury or death.

- No connections are made into:
  - 1 The air line tubing or fittings for the parking brake system
  - 2 The rear axle system (modulated spring brake system)
  - 3 The air supply and signal lines to the rear chassis relay valves
  - 4 The air delivery lines to the front axle brakes and quick release valve.
- No connections are made between the check valve and the reservoir port for air supply.
- Additional reservoir volume must be added with Pusher and Tag Axles, Jifflox, etc. Added volume must be equal to 12 times the added brake chambers rated volume.
- Each added reservoir shall be capable of withstanding an internal hydrostatic pressure of five times the compressor cutout pressure — or 3,447 kPa (500 psi), whichever is greater — for 10 minutes.

Air for pneumatic accessories should be sourced directly from an air reservoir. If an unused reservoir tap is not available, fittings added to the system at the reservoir must not restrict air flow to any existing air lines. The following are to be observed when adding air accessories.

## Electronic Control Units (ECUs)

ECUs are connected through the Databus. These ECUs consist of sophisticated electronics that can be permanently damaged if not treated properly (such as exposure to high temperatures).

To prevent serious damage to ECUs, please follow these important guidelines:

## CAUTION

Possible damage to electronic components. Turn the vehicle ignition switch Off before disconnecting or connecting any electrical components. Failure to de-energize circuits may result in electronic equipment damage.

# Welding

Welding anywhere on the truck chassis requires that certain precautionary measures be taken. This is required to prevent damage to electrical, as well as electronic systems, wiring harness and components.



## CAUTION

Welding on trucks can permanently damage the vehicle electrical system/components, due to the voltage and current spikes that normally occur when welding. It is preferable to avoid welding; however, if welding must be done on any structure on or in contact with the vehicle, disconnect the electrical connectors at the rear of the instrument cluster and follow the recommendations below:

Before welding on the vehicle:

- 1 Disconnect the power to the vehicle.
- 2 Disconnect both the positive (+) and negative (-) battery cables. Disconnect the negative cable first. (When reconnecting, connect the positive cable first.)  
**Note:** Disconnect the other ECU grounds from the battery before disconnecting the main ground (to avoid damage to the ECUs).
- 3 Disconnect the engine/starter ground from the chassis.
- 4 Disconnect the power wiring harness and vehicle interface wiring harness at the Engine Control Module (ECM).
- 5 Disconnect all electronically controlled modules and devices, including:
  - Shutdown/Warning Electronics
  - Starter and Ignition Controls
  - Engine and Vehicle ECUs
  - Transmission ECU
  - Electronic braking system (EBS) ECUs
  - Chassis ECU(This prevents the possibility of alternate paths for induced voltage and currents being created and damaging those components.)
- 6 Disconnect the electrical connectors at the rear of the instrument cluster.
- 7 Attach the welder ground cable as close as possible to the weld (no more than 60 cm (24 in.) from the part being welded).
- 8 Do not connect the welder ground cable to the engine ECU or the ECU cooling plate.



## CAUTION

DO NOT weld on the engine or engine components. Welding on the engine or components mounted on the engine can cause serious damage to the Engine ECU and other electrical components.

There are certain basic common sense rules also to be followed when welding, including (but not limited to):

- Welding cables should not be allowed to lie on/near or cross over any electrical wiring or electronic component during the welding procedure.
- After the welding process has been completed and the welded parts have cooled, inspect wiring and components for possible shorts or damage, which would allow the possibility of drawing excessive currents or cause short circuits when the batteries are reconnected.

 **DANGER**

Before working on a vehicle, set the parking brakes, place the transmission in neutral, and block the wheels. Failure to do so can result in unexpected vehicle movement and can cause serious personal injury or death.

 **WARNING**

Fuel leaked or spilled onto hot surfaces or electrical components can cause a fire. Clean up fuel spills immediately.

 **DANGER**

Exhaust gases contain deadly poison. When testing a vehicle with the engine running, conduct the test outdoors or use a properly vented exhaust hose.

 **WARNING**

Keep yourself and your test equipment clear of all moving or hot engine parts. A hot engine can cause serious burns or can permanently damage test equipment.

 **DANGER**

Pneumatic components store compressed air and can separate violently during disassembly or removal. Before servicing any part of the pneumatic (air) system, completely release the air pressure. Failure to do so can result in serious personal injury or death.

## Jump charging



### CAUTION

Attempting to start the vehicle using methods other than the ones described in this section of the document may cause electrical damage to the vehicle.

In case of unexpected battery drain due to long parking or low usage of the vehicle, connecting an energy source to the jump charging interface is the recommended method for charging the vehicle batteries and ultracapacitor (if equipped) using either 12 V or 24 V battery chargers or another vehicle.

**Note:** Trucks are equipped with a jump charging interface, which is located on the left side of the cab.

**Note:** Jump charging must be performed only using the dedicated jump charging interface. Do not attempt to connect the charger or external power source directly to the batteries and ultracapacitor (if equipped).



### CAUTION

Ensure there are no loose connections between the battery charger (or other vehicle) and jump charging interface.



### CAUTION

Do not connect the helper truck's negative cable to the dead truck's frame rail or other grounded metal.



### CAUTION

DO NOT use battery chargers with high "boosting" capability. These produce a high voltage that could cause damage to the vehicle electrical and electronic components.



### WARNING

Remember that batteries contain a hydrogen and oxygen mixture, which is highly explosive. A spark, which could occur when you apply the jumper cables incorrectly could be enough to cause the battery to explode and injure you and damage the truck. The battery contains sulfuric acid, which can cause serious chemical burns. If you get any acid in your eyes, skin or clothes - rinse with large quantities of water. If you get any splashes in your eyes, seek medical attention immediately.



### CAUTION

The battery contains acid, which is corrosive and poisonous. It is thus important that the battery is handled in an environmentally compatible manner.



### WARNING

Always wear eye protection when working around batteries to prevent the risk of injury due to contact with sulfuric acid or an explosion.

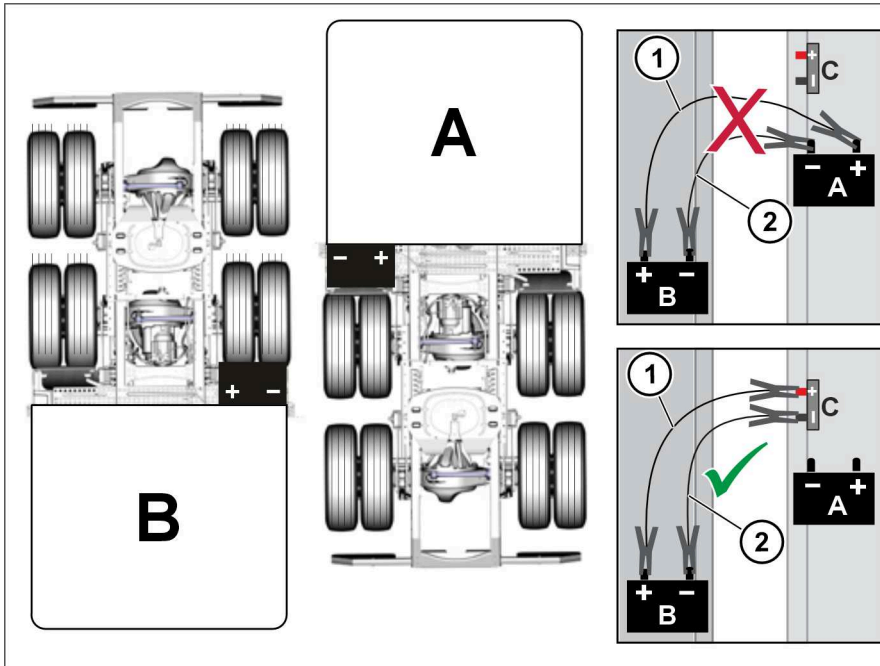


### WARNING

Battery posts, terminals and related accessories contain lead compounds, chemicals known to the state of California to cause cancer and reproductive harm. Wash hands after handling.

## Charging specifications

- The vehicle accepts 24 V or 12 V.
- Charging source must supply >10A.
- Jump charging interface will not accept smart charging equipment unless operated in supply mode (Battery Management System (BMS) will act as smart charger).



T3200040

**Note:** For jump charging procedure, refer the Driver's manual.

## Adding Electrical Equipment

Carefully determine the proper wire sizing and fuse requirements for each circuit to be added. Relays may be required for circuits with higher current flow.

Wire connections must not disturb or interfere with any existing systems or components within the vehicle.

For example, the J1939-1 and J2284 wires **MUST NOT** be cut or spliced for any connections. **These wires must not be tampered with.**

# Data Link Wiring

## SAE J1939-1

Backbone 1 (J1939-1) is the primary data link with a signal transfer speed of 500 kbit/s for communication between the vehicle control modules and the powertrain control modules.

If a connection is required to the J1939 data link, use the connector already supplied in the vehicle wiring harness. These will always be a twisted pair of red wires.



### CAUTION

No modifications or connections should be made to wires Backbone 1 (red) or Backbone 2 (black). **These wires carry high-speed communications between the electronic systems in the vehicle. Any modification, connection or damage to these wires can result in the failure of the vehicles electronic systems.**

## ISO J2284

**Note:** Vehicles with Volvo engines use the J1939 and J2284 data link.

Follow the same guidelines and precautions for the J1939/J2284 data link wiring.

Backbone 2 (J2284) is a dedicated diagnostic data link for powertrain control modules with a signal transfer speed of 500 kbit/s. Also, backbone 2 (J2284) is used by the service tool to reprogram the VMCU (Vehicle Master Control Unit), TGW (Telematic Gateway) and other control units.



### CAUTION

If a circuit must be added to the electrical system, and will carry high currents or frequencies, route it in a location **AWAY** from wires to prevent mutual inductance from interfering with data link functions.



### CAUTION

Wires **MUST NOT** be cut or spliced for any connections. These wires are used for the transmission of data for diagnostic messages and gauges. Modifying this circuit can cause these functions to fail.

The two backbones connect the control units and subnets to enable large amounts of information to always be available in the system.

On these backbones, the following data are available:

- Vehicle status data (for example, time, speed and fuel consumption)
- Powertrain control signals
- OBD (on-board diagnostics)
- Vehicle diagnostics according to ISO (International Organization for Standardization) 14229
- Status and control signals
- Software download.

*Notes*

---

---

---

---

---

---

# Towing Procedure

## General

**Note:** Use only designated lifting points to lift the vehicle.

**Note:** Always use suitable lifting devices, such as clevises and chassis guards, to avoid damaging the vehicle.

**Note:** Switch on the hazard lamps and parking lamps if the electrical system is functioning.

**Note:** During towing, the functional main switch (under driver side of the cab) should be in ON position and the hazard lamps should flash.

## Towing instructions

It is important to consider the truck weight, position and condition of the truck before towing. This helps to know the type of tow truck and the equipment required for towing.

### Procedure before towing

- Ensure that the parking brake is applied.
- Switch on the hazard lamps, if the electrical system is functioning.
- Switch off the Traction Control System (TCS).
- Turn off the key and remove it from the starter switch.
- Lock the cab.
- Release the parking brake. If the parking brake needs to be released mechanically, chock the wheels first and release it.

### Towing procedure

**Note:** The steering does not have any servo effect if the engine is not running.

**Note:** The vehicle will not have air brakes when not powered up.

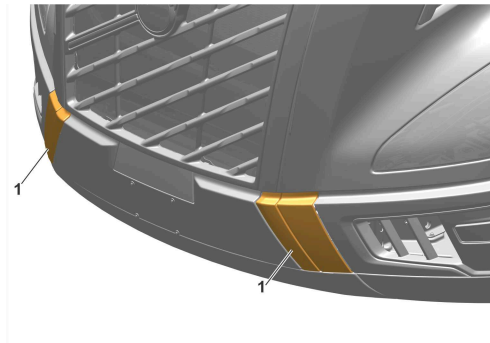


#### **WARNING**

The vehicle's towing hooks must only be used for towing. Incorrect use can lead to personal injury if the towing hook is loaded with a greater weight than it is designed for.

Use the towing hook for towing a vehicle. The towing hooks are designed to push in and lock with a ¼ rotation into the socket behind a cover on the left and right-hand sides of the bumper.

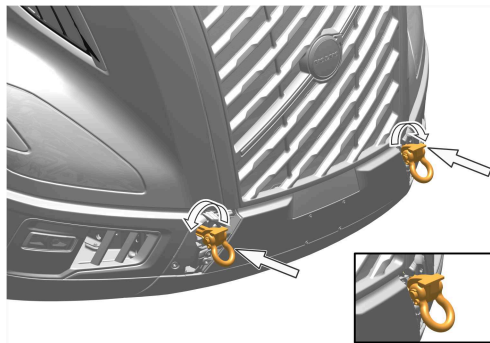
Remove the cover (1).



T7200051

Tow hook cover (1) on the bumper

Push in and lock the towing hook with a ¼ rotation into the socket.



T0218493

Installation of a Tow Hook

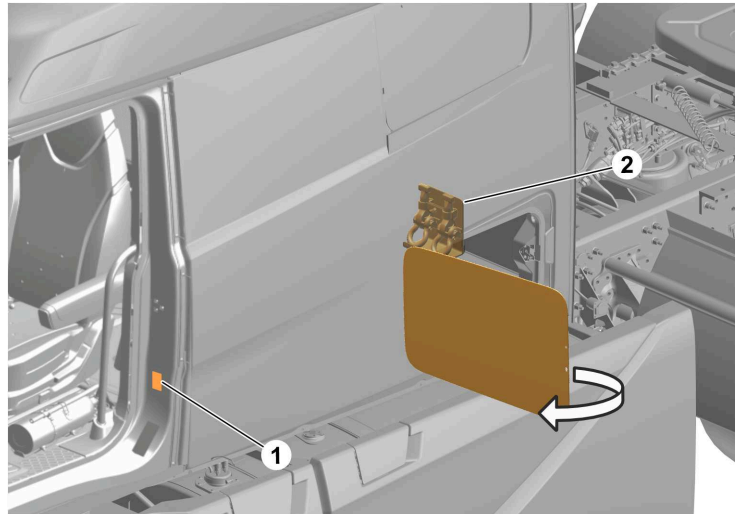
The parking brake must be released during towing.

Use the vehicles towing hooks for towing. The truck is equipped with two towing hooks, each one of them may have half the gross weight of the truck applied from straight in front.

## Tow hooks (Sleeper cab)

The tow hooks are stored in the storage compartment (left-hand side).

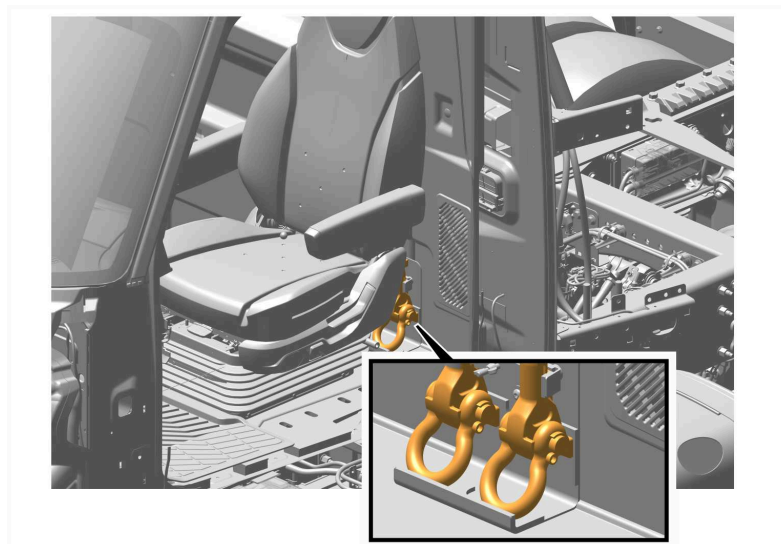
Press the switch (1) on the B-pillar to open the storage compartment. The storage compartments provide easy access to the dedicated tow hook (2) storage.



T0197767

## Tow hooks (Day cab)

The tow hooks are stored behind the passenger seat.



T0197768



### WARNING

The vehicles towing hooks must only be used for towing. If the towing hook is loaded with more weight than it is designed for, it can cause personal injury.

# Maximum loading during lifting and towing

This information specifies the loading that can be applied while using a towing hook, towing hitch cross-member, axles and/or torque stay anchorages.

**Single Towing Hook:** The hook must not be loaded for more than the vehicle's gross weight.

**Double Towing Hooks:** Each hook must not be loaded for more than half the vehicle's gross weight.

**Towing Hitch, Towing hitch cross member:** Maximum 200 mm (7.8 inches) from center of member web.

## Maximum loads on towing cross member are:

- Lengthways: 20 tons
- Vertically (lift): 7 tons
- Sideways: 17 tons

## Axles, Front and Rear:

- Static loading, lengthways and vertically: two times axle loading
- Dynamic, e.g. during towing: One-time axle loading.

## Air Suspension Vehicles, Front Torque Stays:

- Per side: max 5 tons
- Gross: max 9.5 tons



## DANGER

Do not use the tow eyes to raise the front of the vehicle as the tow eyes can break.  
Do not crawl under a vehicle suspended by tow eyes. Failure to follow these instructions may cause serious personal injury or death.



## CAUTION

The towing hooks on the vehicle must only be used for towing.

## Notes

---

---

---

---

---

# Design and Function

## Weight Distribution

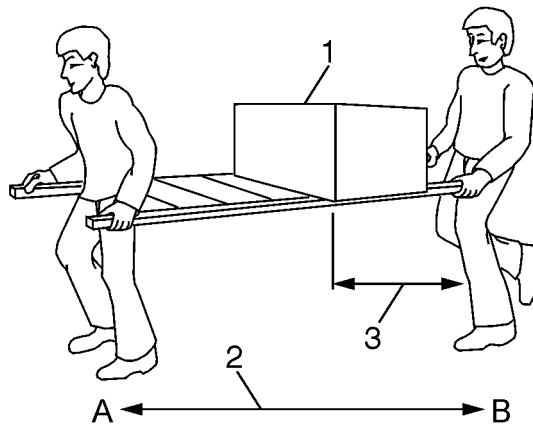
Determining the weight distribution of a truck is an important calculation. It can indicate whether a truck is legally loaded, and can show whether any dangerous overloading might occur.

Weight distribution calculations are not difficult to perform; an understanding of the theory involved will make it easier to perform the calculations and correctly analyze each application.

## Theory

The theory of weight distribution can be illustrated as follows:

Two men are painting a house. To get all of the material to the job in one trip, they put the paint and brushes in a box, set it on a ladder, and each pickup an end.



W9000362

Fig. 4 Weight Distribution Theory

- 1 Load
- 2 Total length
- 3 Distance from center of load to "B"

The ladder is 10 feet long. The box of supplies weighs 50 lb. The center of the box is located 3 feet from the man at position B. Intuitively, we know that man "B" is carrying more of the load because he is closer to it than man "A." The amount of weight being carried by man "A" can be determined using the following formula:

$$\text{Weight at man "A"} = \frac{\text{Total weight} \times \text{Distance from weight to man "B"}}{\text{Distance from man "A" to man "B"}}$$

$$\text{Weight at man "A"} = \frac{50 \text{ lb} \times 3 \text{ feet}}{10 \text{ feet}}$$

Weight at man "A" = 15 lb.

The weight carried by man "B" is obtained by subtracting the weight at man "A" from the total weight.

Weight at man "B" = Total weight – weight at man "A"

Weight at man "B" = 50 lb – 15 lb

Weight at man "B" = 35 lb

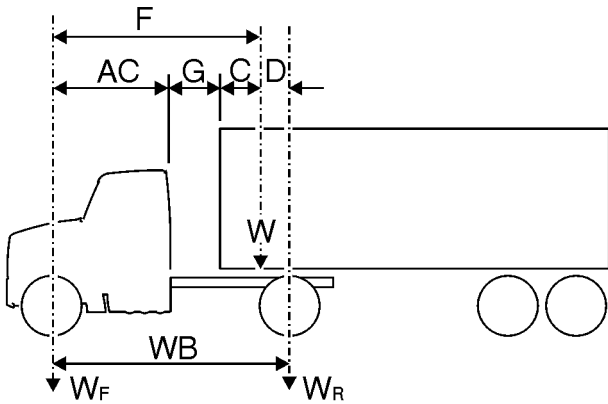
The percentage of weight transferred to each man can also be calculated.

% of weight at man "A" =  $\frac{3}{10} \times 100\% = 30\%$

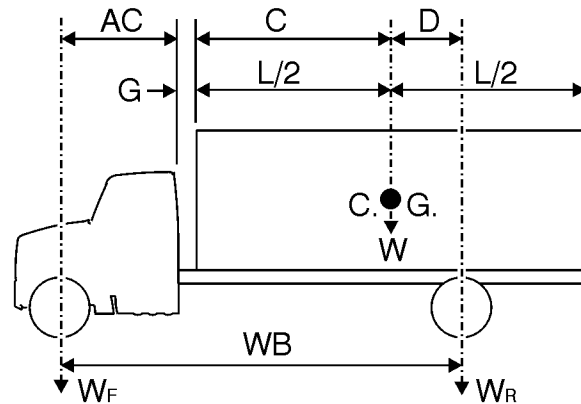
The percentage of weight transferred to man "B" is found by subtracting the % weight at man "A" from 100%:  $100\% - 30\% = 70\%$ .

$$\% \text{ of Weight at man "A"} = \frac{\text{Distance from weight to man "B"}}{\text{Distance from man "A" to man "B"}} \times 100$$

## Weight Distribution Formulas



W9000364



W9000365

**AC** Front axle to back-of-cab

**G** Gap between cab and body or trailer

**CG** Center of gravity of body and payload

**C** Front of body to CG, or front of trailer to king pin

**D** Distance CG or fifth wheel is ahead of rear axle

**F** Distance CG or fifth wheel is behind front axle

**L** Body length

**WB** Wheelbase

**W** Weight of body plus payload, or king pin load

**WF** Portion of W transferred to front axle

**WR** Portion of W transferred to rear axle

### Basic Formulas

- a  $W \times D = W_F \times WB$  or
- b  $WB = F + D = AC + G + C + D$
- c  $W = W_F + W_R$
- d Percent of W transferred to front axle =  $\frac{D}{WB} \times 100$
- e Percent of W transferred to rear axle =  $\frac{F}{WB} \times 100$

### Sample Calculations

$W_F =$	$\frac{W \times D}{WB}$	 or 	$W_R =$	$\frac{W \times F}{WB}$
$W_R =$	$W - W_F$		$W_F =$	$W - W_R$

# Weight Distribution Formulas (Text Descriptions)

$$\text{Weight transferred to Front Axle} = \frac{(\text{Total Weight}) \times (\text{Distance CG is ahead of Rear Axle})}{\text{Wheelbase}}$$

$$\text{Distance CG must be placed ahead of Rear Axle} = \frac{(\text{Weight transferred to Front Axle}) \times (\text{Wheelbase})}{(\text{Total Weight})}$$

$$\text{Wheelbase} = \frac{(\text{Total Weight}) \times (\text{Distance CG is ahead of Rear Axle})}{(\text{Weight to be transferred to Front Axle})}$$

$$\text{Total Weight} = \frac{(\text{Weight to be transferred to Front Axle}) \times (\text{Wheelbase})}{(\text{Distance CG is ahead of Rear Axle})}$$

$$\text{Weight transferred to Rear Axle} = \frac{(\text{Total Weight}) \times (\text{Distance CG is behind Front Axle})}{(\text{Wheelbase})}$$

$$\text{Distance CG must be placed behind Front Axle} = \frac{(\text{Weight transferred to Rear Axle}) \times (\text{Wheelbase})}{(\text{Total Weight})}$$

$$\text{Wheelbase} = \frac{(\text{Total Weight}) \times (\text{Distance CG is behind Rear Axle})}{(\text{Wheelbase})}$$

$$\text{Total Weight} = \frac{(\text{Weight to be transferred to Rear Axle}) \times (\text{Wheelbase})}{(\text{Distance CG is behind Front Axle})}$$

**Note:** Total Weight must always equal Weight transferred to Rear Axle plus Weight transferred to Front Axle.

# Formulas for Lift Axles

## Pusher Axles

### Pusher Up

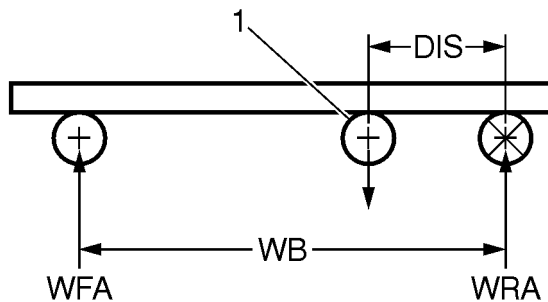
$$WFA = \frac{DIS}{WB} \times \text{Pusher Tare Weight}$$

$$WRA = \text{Tare Weight} - WFA$$

### Pusher Down

$$WFA = \frac{-(DIS)}{WB} \times \text{Pusher Pressure}$$

$$WRA = \frac{-(WB - DIS)}{WB} \times \text{Pusher Pressure}$$



W9000387

Fig. 5 Pusher Axle

### Notes

---



---



---



---



---

# Tag Axles

## Tag Up

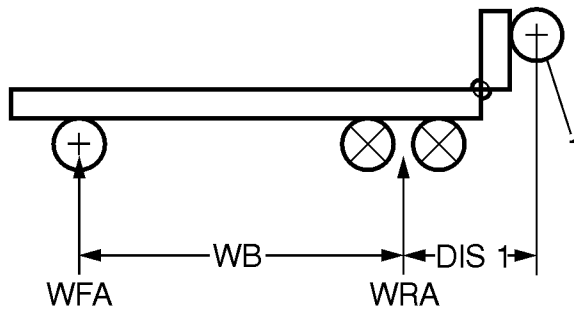
$$WRA = \frac{WB + DIS}{WB} \times \text{Tare Weight}$$

$$WFA = \text{Tare Weight} - WFA \text{ (will be Negative Number)}$$

## Tag Down

$$WRA = \frac{-(WB + DIS)}{WB} \times \text{Tag Pressure (Negative Pressure)}$$

$$WFA = \frac{DIS}{WB} \times \text{Tag Pressure (Positive Number)}$$



W9000389

Fig. 6 Tag Axle

### Notes

---



---



---



---



---

# Boost-A-Load Axles

## Boost Up

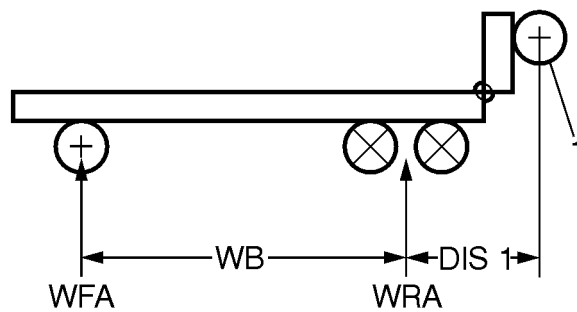
$$\text{WRA} = \frac{(\text{WB} + \text{DIS}\#1)}{\text{WB}} \times \text{Tare Weight}$$

$$\text{WFA} = \text{Tare Weight} - \text{WFA (will be Negative Number)}$$

## Boost Down

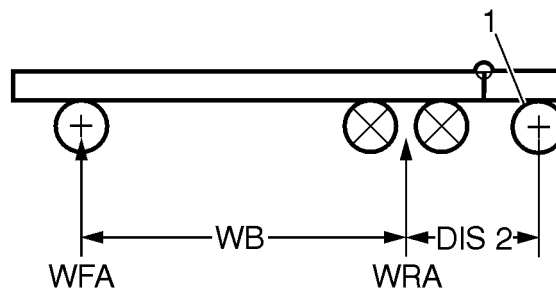
$$\text{WRA} = \frac{-(\text{WB} + \text{DIS}\#2)}{\text{WB}} \times \text{Boost Axle Pressure (Negative Number)}$$

$$\text{WFA} = \frac{(\text{DIS}\#2)}{\text{WB}} \times \text{Boost Axle Pressure (Positive Number)}$$



W9000389

Fig. 7 Boost Axle



W9000390

# Customer Information Worksheet

CUSTOMER	BRANCH OR DEALER		DATE
ADDRESS	QUANTITY	MODEL	ORDER NO.

## STRAIGHT TRUCKS

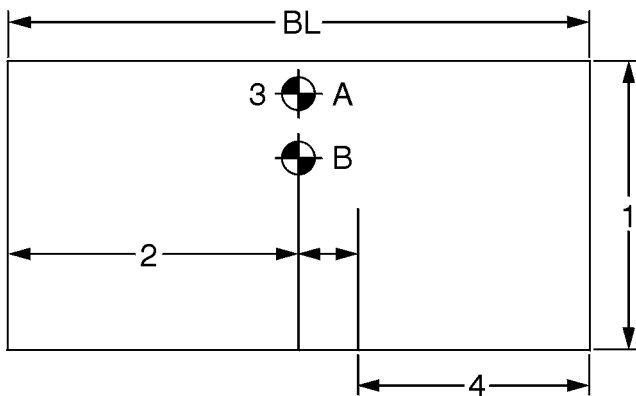
Body Make: \_\_\_\_\_ Model: \_\_\_\_\_ Length: \_\_\_\_\_

Body Type:  Dump .....  Flat .....  Van .....  Tank .....  Mixer .....  Block .....  Specialty \_\_\_\_\_  
 Rear Refuse Loader .....  Front Refuse Loader .....  Side Refuse Loader .....  Rolloff

Body Weight: \_\_\_\_\_ lb Center of Gravity Location: \_\_\_\_\_

Additional Equipment:  Snow Plow .....  Tailgate .....  Boom .....  Frame-mounted Water Tank  
 PTO .....  Tag/Pusher Axle .....  Wet (Hydraulic) Kit

Equipment Weight: \_\_\_\_\_ lb Center of Gravity Location\*: \_\_\_\_\_



Body Height: 1 \_\_\_\_\_  
 \*Center of Gravity  
 Body (B) 2 \_\_\_\_\_  
 Payload (A) 3 \_\_\_\_\_  
 Overhang Required 4 \_\_\_\_\_

W9000385

**ALL TRUCKS**

Commodity Hauled: \_\_\_\_\_ Payload Weight : \_\_\_\_\_ lb

Operating Conditions: [...] Increasing Loads ..... [...] Decreasing Loads  
[... ] One Way ..... [...] Both Ways ..... [...] Fully Loaded \_\_\_\_\_  
Average Trip: \_\_\_\_\_ miles Number of Round-trips Per Day: \_\_\_\_\_  
Average Number of Stops: \_\_\_\_\_ Average Idling Time: \_\_\_\_\_

Road Surface/Grades: [...] Concrete ..... [...] Asphalt ..... [...] Packed Dirt ..... [...] Gravel  
[... ] Sand ..... [...] Mud ..... [...] Loose Dirt  
Maximum Starting Grade \_\_\_\_\_% Maximum Highway Grade \_\_\_\_\_%

Speed: Cruise Speed Desired on Highway \_\_\_\_\_ mph Top Speed (Unloaded) \_\_\_\_\_ mph

Operating Area: [...] Interstate ..... [...] Primary Roads ..... [...] Other Roads  
States Operating \_\_\_\_\_  
Length Restrictions \_\_\_\_\_

Climate: Outside High Temp \_\_\_\_\_ Low \_\_\_\_\_ Altitude \_\_\_\_\_ ft

Weight Limits: Front \_\_\_\_\_ lb Rear \_\_\_\_\_ lb Tag/Pusher \_\_\_\_\_ lb  
Total \_\_\_\_\_ lb GVW/GCW Requested \_\_\_\_\_ lb

Other Restrictions / Conditions  
\_\_\_\_\_  
\_\_\_\_\_  
\_\_\_\_\_

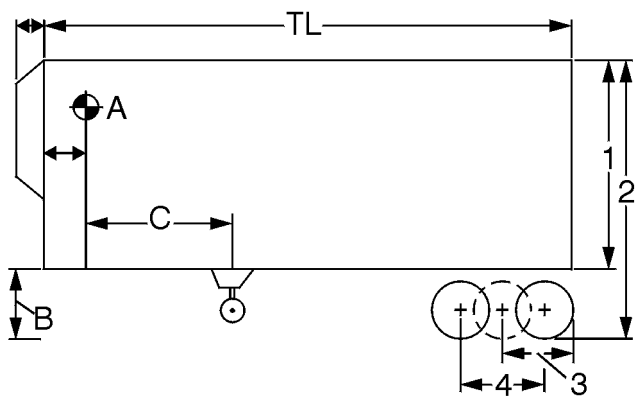
## TRACTORS

Type of Service:  Tractor Semi/Trailer .....  Tractor Double Trailers .....  Tractor Triple Trailers  
 Straight Truck/PUP Trailer

Trailer: Make \_\_\_\_\_ Model \_\_\_\_\_ Length \_\_\_\_\_ ft  
 Dry Van .....  Refrigerated .....  Flatbed .....  Tank .....  Dump

Capacity \_\_\_\_\_  Gallons .....  Cu. Yards  
 Height \_\_\_\_\_ in. Width \_\_\_\_\_ in. Weight \_\_\_\_\_ lb

King pin Location \_\_\_\_\_ in. (front) Landing Gear Location \_\_\_\_\_ in. (front)  
 Rear Trailer Axles \_\_\_\_\_ in. (rear)



W9000386

Trailer Height 1 \_\_\_\_\_  
 Overall Height 2 \_\_\_\_\_  
 Trailer Axle Setting 3 \_\_\_\_\_  
 Trailer Axle Spacing 4 \_\_\_\_\_

**Notes**

---

---

---

---

---

---

---

---

# Conversion Factors

Convert From:		To:		Multiply By:
Area				
Square Inch	in <sup>2</sup>	Square millimeter	mm <sup>2</sup>	645.16
Square foot	ft <sup>2</sup>	Square meter	m <sup>2</sup>	0.0929
Square millimeter	mm <sup>2</sup>	Square Inch	in <sup>2</sup>	0.0016
Square meter	m <sup>2</sup>	Square foot	ft <sup>2</sup>	10.7643
Flow (Volume Per Unit Time)				
Gallon (U.S.) per minute	gpm	Cubic meter per second	m <sup>3</sup> /s	0.00006
Gallon (U.S.) per minute	gpm	Liter per minute	L/min	3.7854
Cubic meter per second	m <sup>3</sup> /s	Gallon (U.S.) per minute	gpm	15850.3
Liter per minute	L/min	Gallon (U.S.) per minute	gpm	0.26417
Length				
Inch	in.	Millimeter	mm	25.4
Foot	ft	Meter	m	0.3048
Yard	yd	Meter	m	0.09144
Millimeter	mm	Inch	in	0.0394
Meter	m	Foot	ft	3.2808
Meter	m	Yard	yd	1.0936
Mass				
Pound	lb	Kilogram	kg	0.4536
Ton (U.S.)		Ton (metric, 2,204.6 lbs)		0.9072
Kilogram	kg	Pound	lb	2.2046
Ton (metric)		Ton (U.S.)		1.1023
Power				
Horsepower (550 ft-lb f/sec)	hp	Kilowatt	kW	0.7457
Kilowatt	kW	Horsepower (550 ft-lb f/sec)	hp	1.3910
Pressure				
Pound-Force per square inch	psi	Kilopascal	kPa	6.8948
Kilopascal	kPa	Pound-Force per square inch	psi	0.145
Temperature				
Degree Fahrenheit	°F	Degree Celsius	°C	5/9 (°F - 32)
Degree Celsius	°C	Degree Fahrenheit	°F	(9/5 °C) + 32
Velocity				
Miles per hour (U.S.)	mph	Kilometer per hour	km/h	1.6093
Kilometer per hour	km/h	Miles per hour (U.S.)	mph	0.6214

Convert From:		To:		Multiply By:
Volume				
Cubic inch	in <sup>3</sup>	Cubic millimeter	mm <sup>3</sup>	16387.06
Cubic inch	in <sup>3</sup>	Cubic centimeter	cm <sup>3</sup>	16.3871
Cubic foot	ft <sup>3</sup>	Cubic meter	m <sup>3</sup>	0.0283
Cubic yard	yd <sup>3</sup>	Cubic meter	m <sup>3</sup>	0.7646
Quart (U.S. liquid)	qt	Liter	L	0.9464
Gallon (U.S. liquid)	gal	Liter	L	3.7854
Liter	L	Quart (U.S. liquid)	qt	1.0566
Liter	L	Gallon (U.S. liquid)	gal	0.2642
Gallon (U.S. liquid)	gal	Cubic meter	m <sup>3</sup>	0.0038
Cubic millimeter	mm <sup>3</sup>	Cubic inch	in <sup>3</sup>	0.00006
Cubic centimeter	cm <sup>3</sup>	Cubic inch	in <sup>3</sup>	0.061
Cubic meter	m <sup>3</sup>	Cubic foot	ft <sup>3</sup>	35.3357
Cubic meter	m <sup>3</sup>	Cubic yard	yd <sup>3</sup>	1.3079
Cubic meter	m <sup>3</sup>	Gallon (U.S. liquid)	gal	263.1579

**Notes**

---



---



---



---

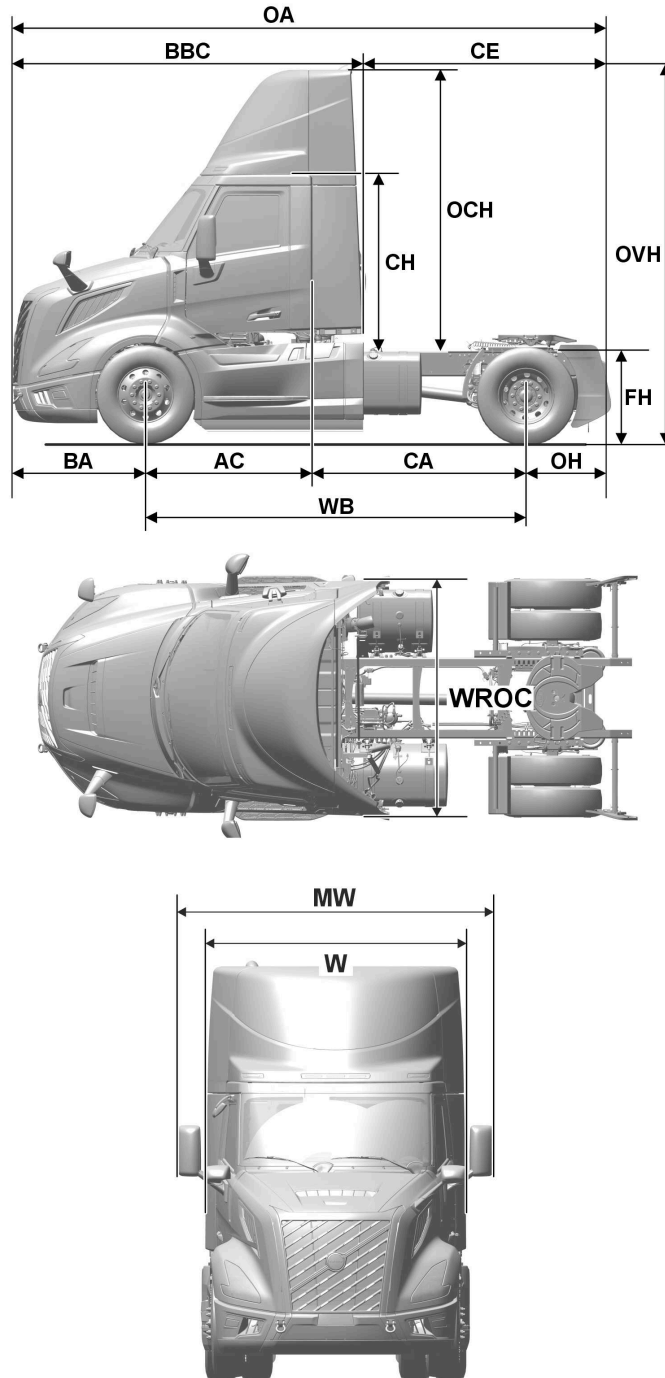


---

# Chassis Diagrams

## Chassis Diagrams, VNL

VNL 300, Truck, 4x2



T8216821

Fig. 8 VNL 300, CABH 155, CABL 150, 4x2

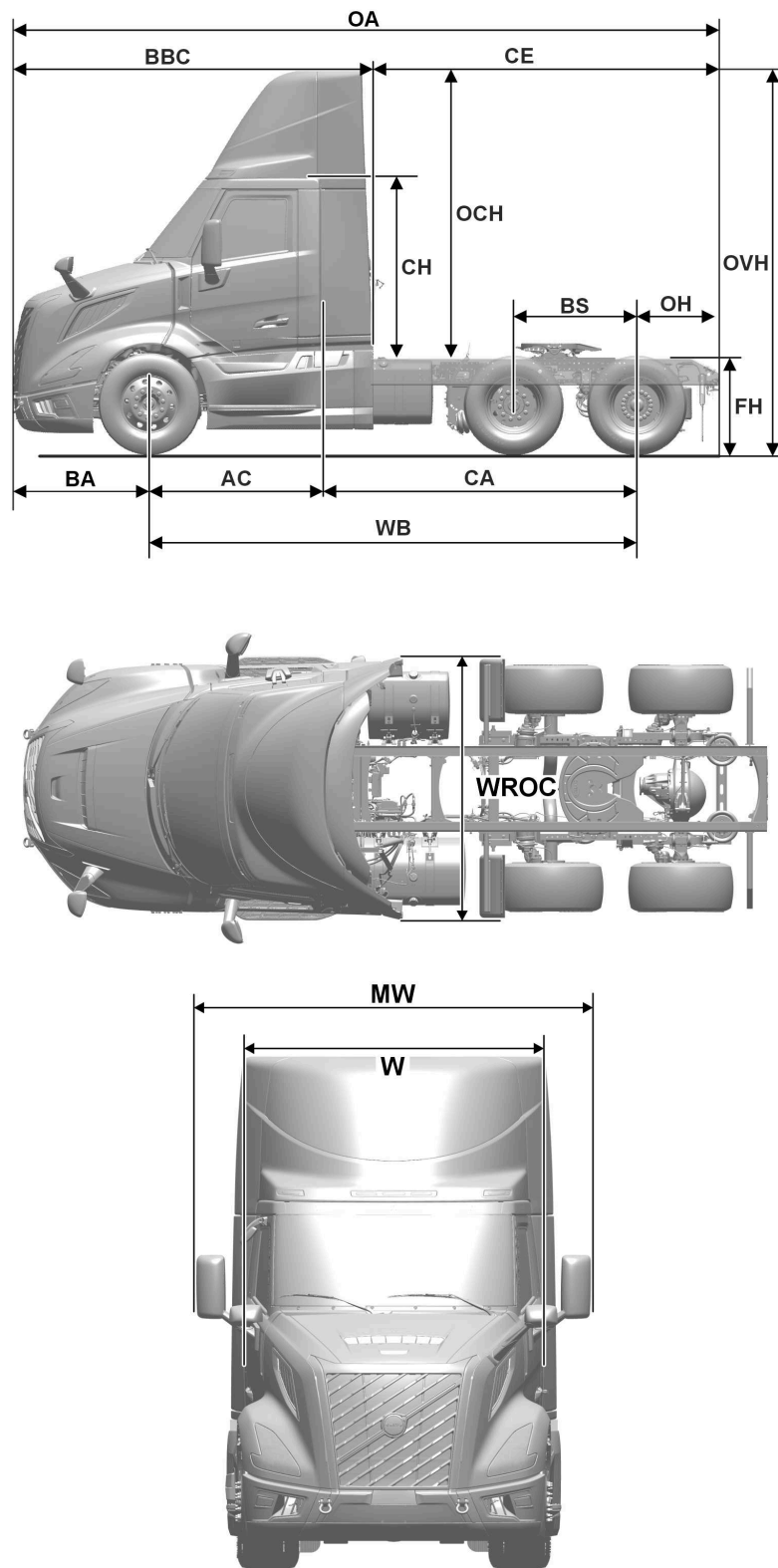
See Fig. 8

**Dimensions**

<b>Description</b>	<b>Drawing Reference</b>	<b>Dimension</b>
Bumper to front axle	BA	1408 mm
Front axle to end of cab	AC	1785 mm
End of cab to rear axle	CA	2168 mm
Overhang	OH	845 mm
Wheelbase	WB	3950 mm
Overall Length	OA	6206 mm
Bumper to back of cab	BBC	3777 mm
Cab to end of frame	CE	2429 mm
Unladen frame height	FH	1026 mm
Cab height	CH	1870 mm
Overall cab height	OCH	3026 mm
Overall height	OVH	4026 mm
Width of rear of cab	WROC	2576 mm
Mirror width	MW	3034 mm
Cab width	W	2502 mm

**Note:** The vehicle dimensions shown may vary slightly from the actual vehicle, as the dimensions are chassis-specific and unique to each vehicle.

# VNL 300, Truck, 6x2



T8216822

Fig. 9 VNL 300, CABH 155, CABL 150, 6x2

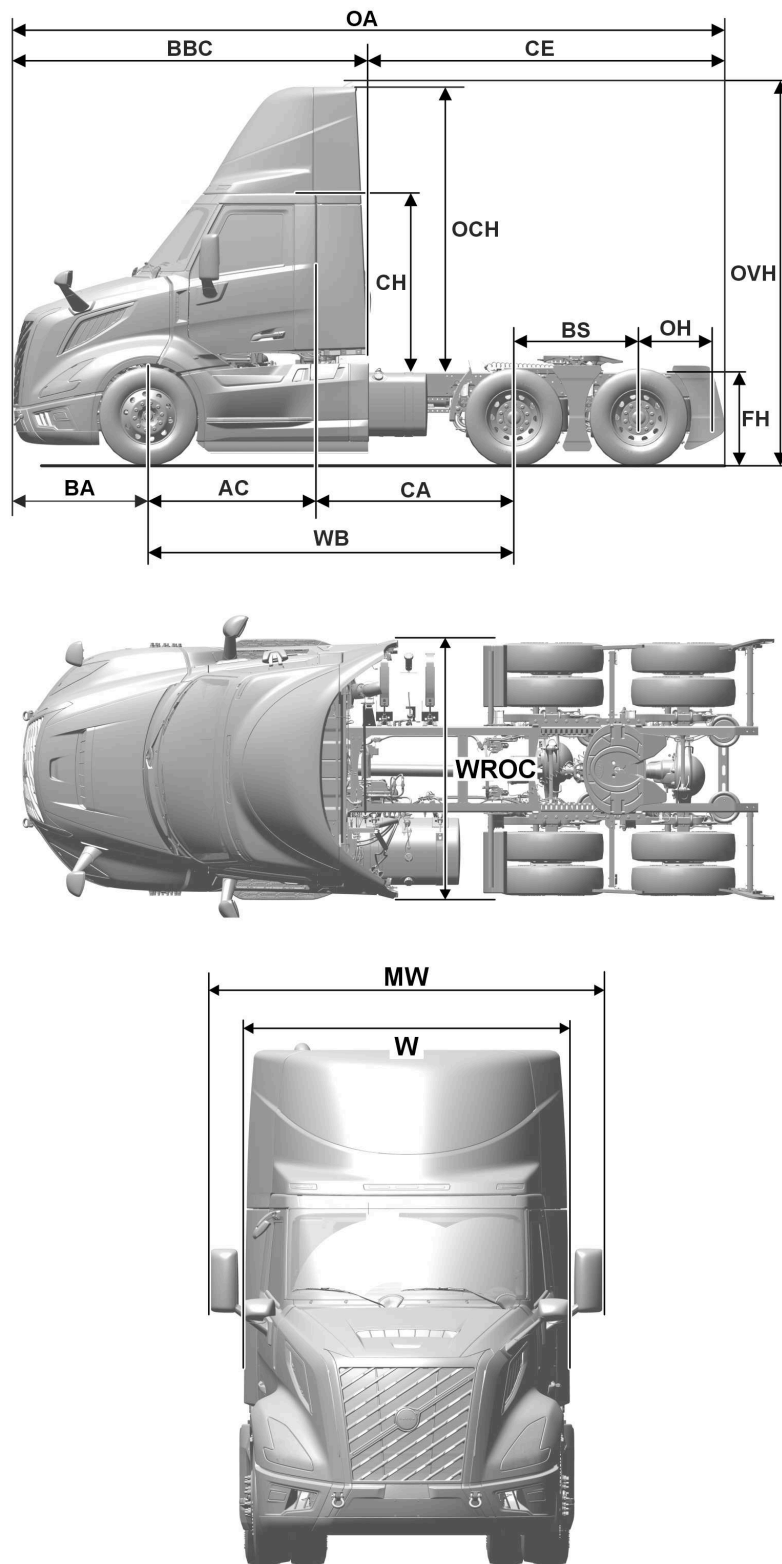
See Fig. 9

**Dimensions**

<b>Description</b>	<b>Drawing Reference</b>	<b>Dimension</b>
Bumper to front axle	BA	1408 mm
Front axle to end of cab	AC	1785 mm
End of cab to rear axle	CA	3225 mm
Overhang	OH	845 mm
Bogie spread	BS	1270 mm
Wheelbase	WB	6408 mm
Overall Length	OA	7263 mm
Bumper to back of cab	BBC	3714 mm
Cab to end of frame	CE	3549 mm
Unladen frame height	FH	1023 mm
Cab height	CH	1853 mm
Overall cab height	OCH	2952 mm
Overall height	OVH	3966 mm
Width of rear of cab	WROC	2576 mm
Mirror width	MW	3034 mm
Cab width	W	2502 mm

**Note:** The vehicle dimensions shown may vary slightly from the actual vehicle, as the dimensions are chassis-specific and unique to each vehicle.

# VNL 300, Truck, 6x4



T8216823

Fig. 10 VNL 300, CABH 155, CABL 150, 6x4

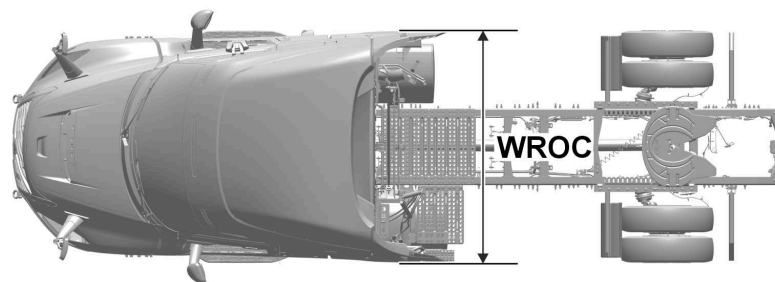
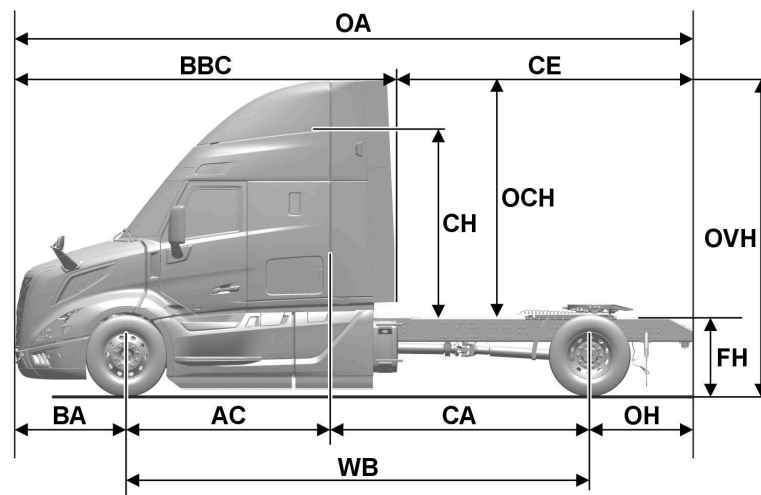
See Fig. 10

**Dimensions**

<b>Description</b>	<b>Drawing Reference</b>	<b>Dimension</b>
Bumper to front axle	BA	1408 mm
Front axle to end of cab	AC	1785 mm
End of cab to rear axle	CA	3225 mm
Overhang	OH	745 mm
Bogie spread	BS	1300 mm
Wheelbase	WB	5108 mm
Overall Length	OA	7308 mm
Bumper to back of cab	BBC	3777 mm
Cab to end of frame	CE	3531 mm
Unladen frame height	FH	1023 mm
Cab height	CH	1853 mm
Overall cab height	OCH	2952 mm
Overall height	OVH	3993 mm
Width of rear of cab	WROC	2576 mm
Mirror width	MW	3034 mm
Cab width	W	2502 mm

**Note:** The vehicle dimensions shown may vary slightly from the actual vehicle, as the dimensions are chassis-specific and unique to each vehicle.

# VNL 440, Truck, 4x2



T8216894

Fig. 11 VNL 440, CABH 200, CABL 230, 4x2

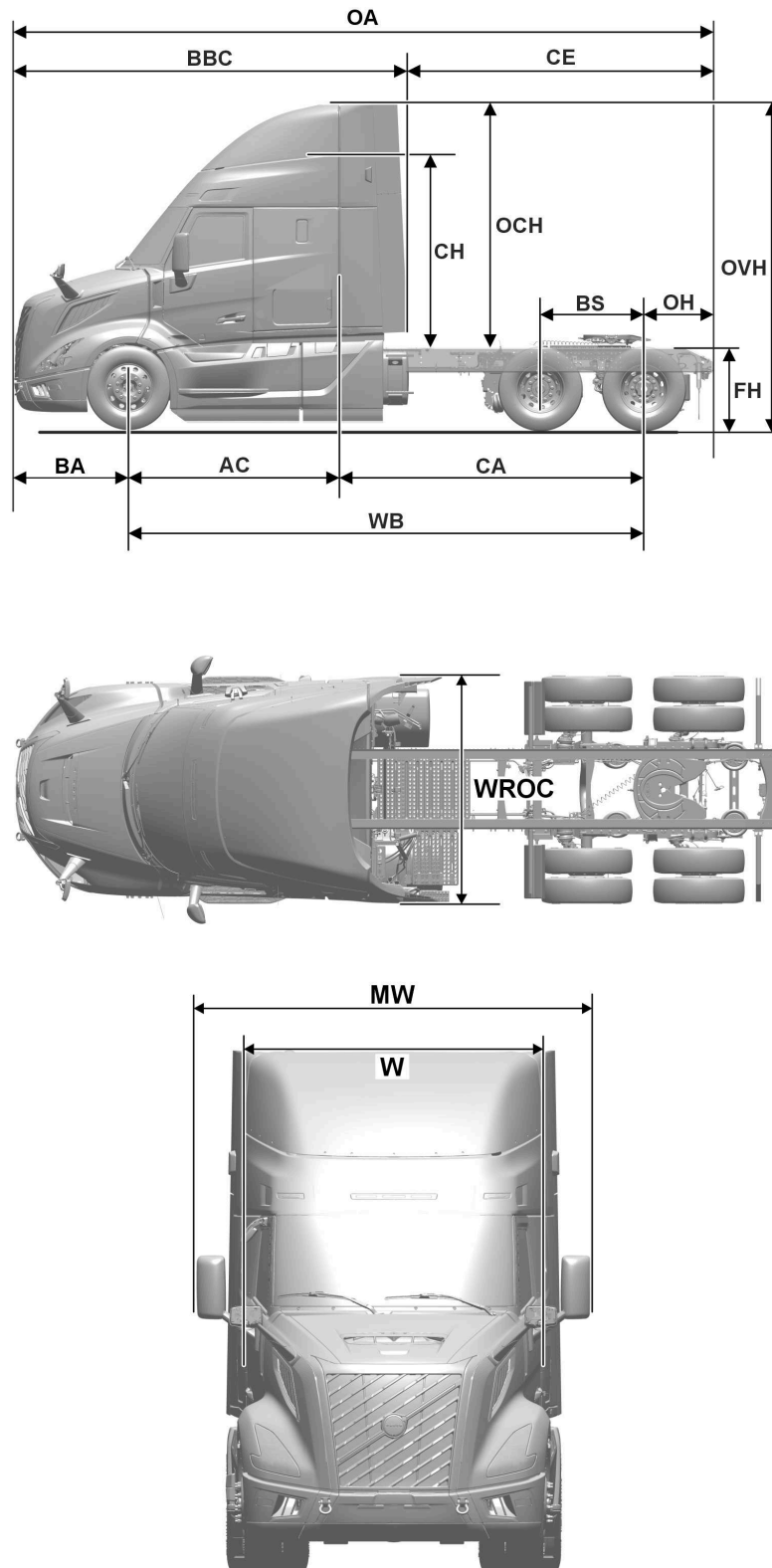
See Fig. 11

**Dimensions**

<b>Description</b>	<b>Drawing Reference</b>	<b>Dimension</b>
Bumper to front axle	BA	1408 mm
Front axle to end of cab	AC	2610 mm
End of cab to rear axle	CA	3700 mm
Overhang	OH	845 mm
Wheelbase	WB	5800 mm
Overall Length	OA	6300 mm
Bumper to back of cab	BBC	4817 mm
Cab to end of frame	CE	3746 mm
Unladen frame height	FH	1042 mm
Cab height	CH	2494 mm
Overall cab height	OCH	3007 mm
Overall height	OVH	3987 mm
Width of rear of cab	WROC	2580 mm
Mirror width	MW	3034 mm
Cab width	W	2502 mm

**Note:** The vehicle dimensions shown may vary slightly from the actual vehicle, as the dimensions are chassis-specific and unique to each vehicle.

# VNL 440, Truck, 6x2



T8216825

Fig. 12 VNL 440, CABH 200, CABL 230, 6x2

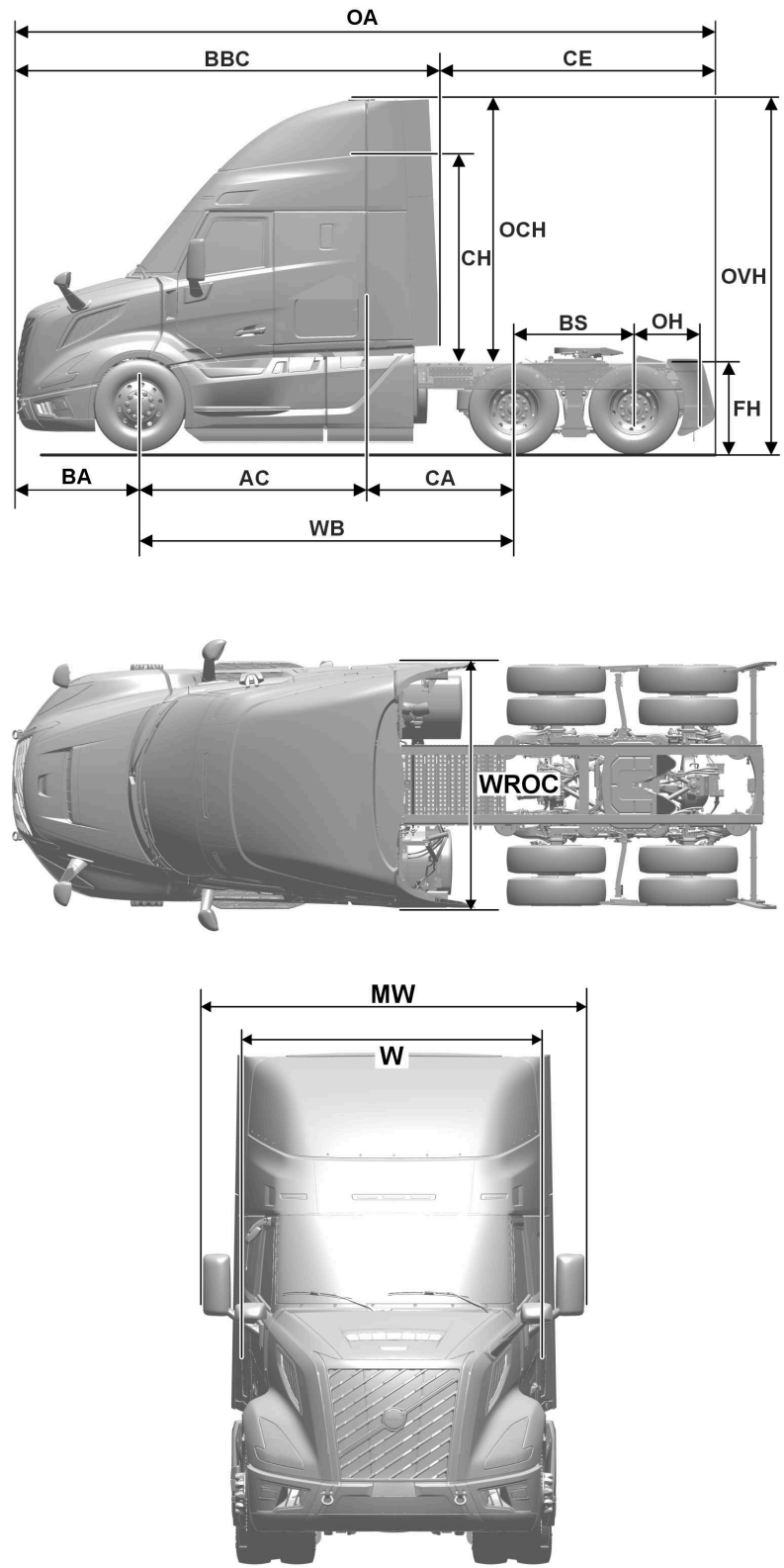
See Fig. 12

**Dimensions**

<b>Description</b>	<b>Drawing Reference</b>	<b>Dimension</b>
Bumper to front axle	BA	1408 mm
Front axle to end of cab	AC	2610 mm
End of cab to rear axle	CA	3700 mm
Overhang	OH	845 mm
Bogie spread	BS	1270 mm
Wheelbase	WB	6300 mm
Overall Length	OA	8563 mm
Bumper to back of cab	BBC	4817 mm
Cab to end of frame	CE	3746 mm
Unladen frame height	FH	1042 mm
Cab height	CH	2494 mm
Overall cab height	OCH	3007 mm
Overall height	OVH	3987 mm
Width of rear of cab	WROC	2580 mm
Mirror width	MW	3034 mm
Cab width	W	2502 mm

**Note:** The vehicle dimensions shown may vary slightly from the actual vehicle, as the dimensions are chassis-specific and unique to each vehicle.

# VNL 440, Truck, 6x4



T8216835

Fig. 13 VNL 440, CABH 200, CABL 230, 6x4

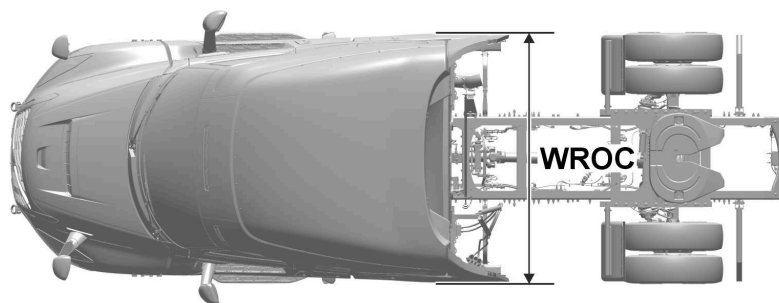
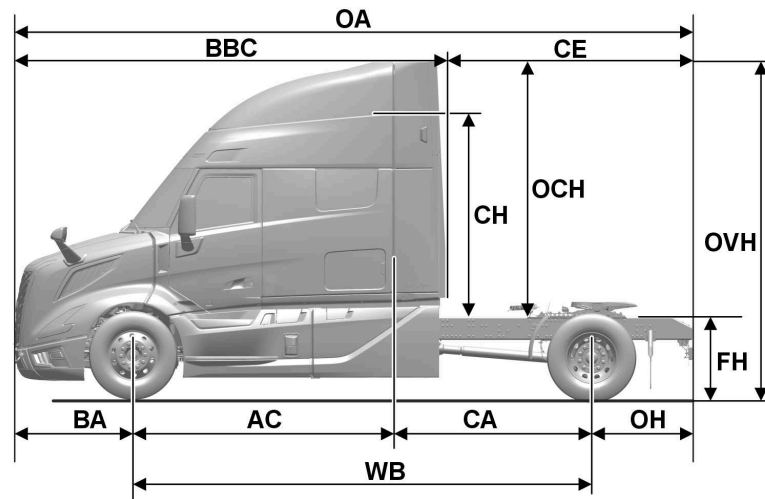
See Fig. 13

**Dimensions**

<b>Description</b>	<b>Drawing Reference</b>	<b>Dimension</b>
Bumper to front axle	BA	1408 mm
Front axle to end of cab	AC	2610 mm
End of cab to rear axle	CA	3700 mm
Overhang	OH	775 mm
Bogie spread	BS	1370 mm
Wheelbase	WB	4250 mm
Overall Length	OA	7928 mm
Bumper to back of cab	BBC	4817 mm
Cab to end of frame	CE	3746 mm
Unladen frame height	FH	1042 mm
Cab height	CH	2494 mm
Overall cab height	OCH	3023 mm
Overall height	OVH	4038 mm
Width of rear of cab	WROC	2580 mm
Mirror width	MW	3034 mm
Cab width	W	2502 mm

**Note:** The vehicle dimensions shown may vary slightly from the actual vehicle, as the dimensions are chassis-specific and unique to each vehicle.

# VNL 640, Truck, 4x2



T8216895

Fig. 14 VNL 640, CABH 200, CABL 290, 4x2

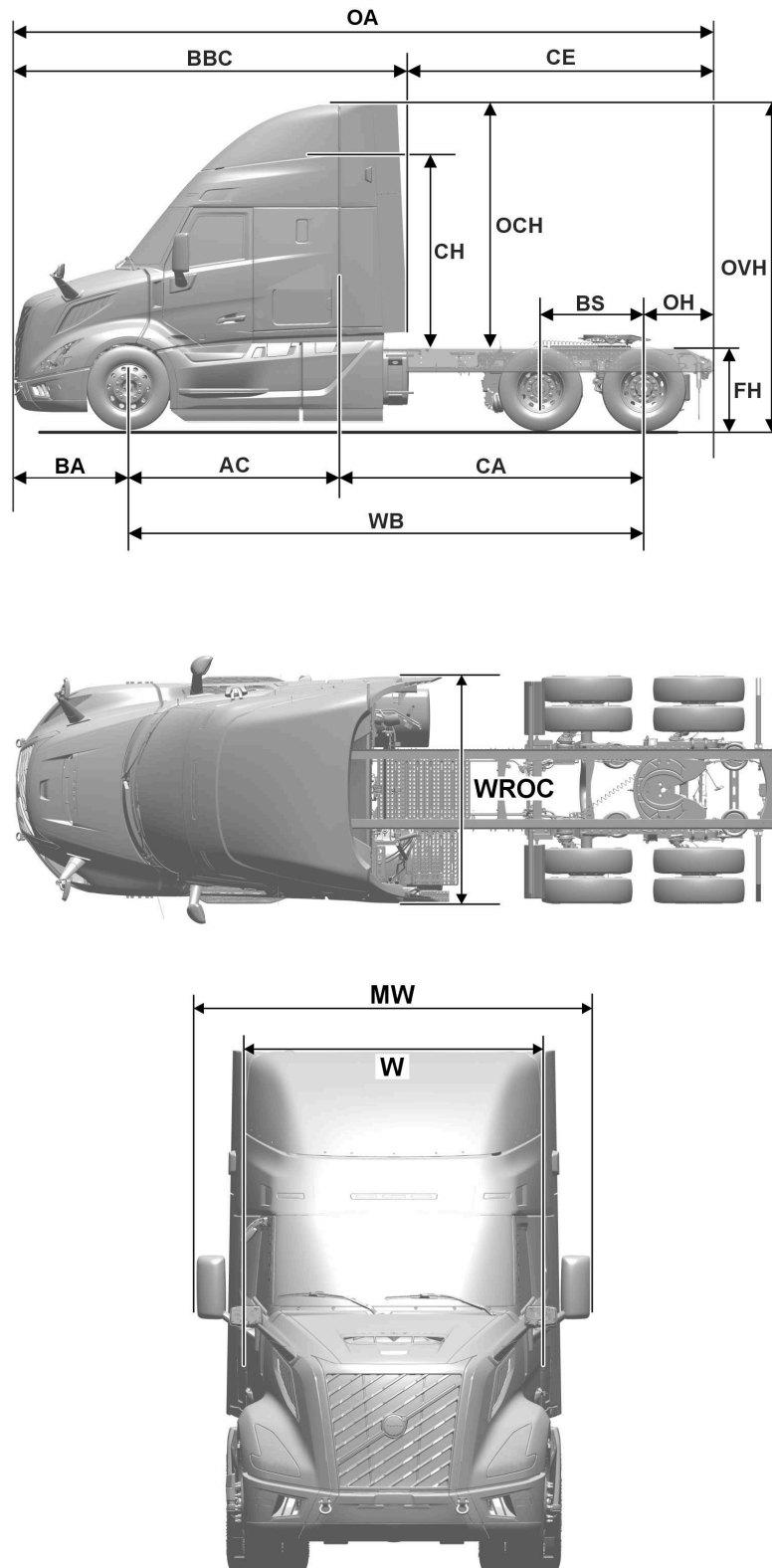
See Fig. 14

**Dimensions**

<b>Description</b>	<b>Drawing Reference</b>	<b>Dimension</b>
Bumper to front axle	BA	1297 mm
Front axle to end of cab	AC	2910 mm
End of cab to rear axle	CA	2168 mm
Overhang	OH	895 mm
Wheelbase	WB	4815 mm
Overall Length	OA	7645 mm
Bumper to back of cab	BBC	4807 mm
Cab to end of frame	CE	903 mm
Unladen frame height	FH	1010 mm
Cab height	CH	2508 mm
Overall cab height	OCH	3024 mm
Overall height	OVH	3984 mm
Width of rear of cab	WROC	2590 mm
Mirror width	MW	3075 mm
Cab width	W	2546 mm

**Note:** The vehicle dimensions shown may vary slightly from the actual vehicle, as the dimensions are chassis-specific and unique to each vehicle.

# VNL 640, Truck, 6x2



T8216825

Fig. 15 VNL 640, CABH 200, CABL 290, 6x2

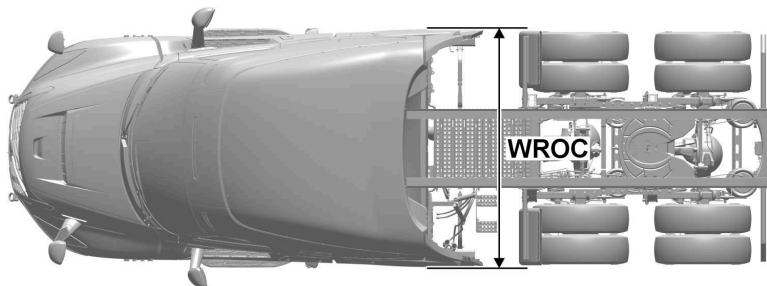
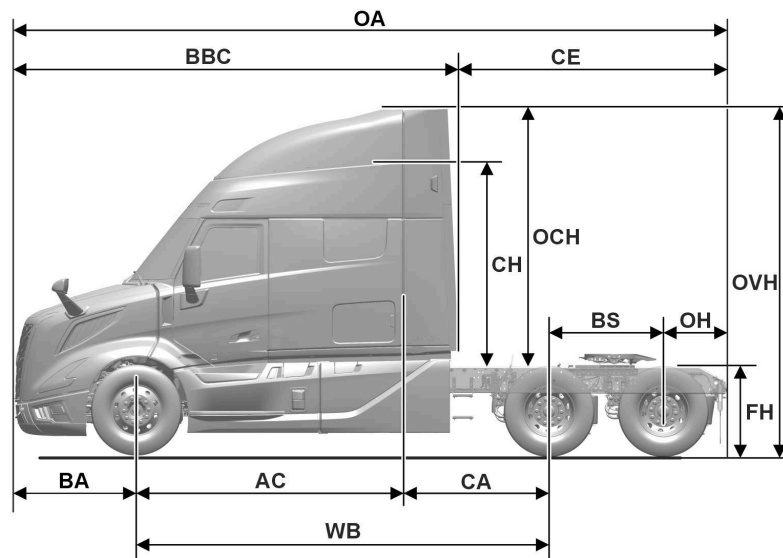
See Fig. 15

**Dimensions**

<b>Description</b>	<b>Drawing Reference</b>	<b>Dimension</b>
Bumper to front axle	BA	1297 mm
Front axle to end of cab	AC	2910 mm
End of cab to rear axle	CA	2540 mm
Overhang	OH	895 mm
Bogie spread	BS	1270 mm
Wheelbase	WB	5450 mm
Overall Length	OA	7645 mm
Bumper to back of cab	BBC	4807 mm
Cab to end of frame	CE	2838 mm
Unladen frame height	FH	1010 mm
Cab height	CH	2508 mm
Overall cab height	OCH	3024 mm
Overall height	OVH	3985 mm
Width of rear of cab	WROC	2590 mm
Mirror width	MW	3075 mm
Cab width	W	2546 mm

**Note:** The vehicle dimensions shown may vary slightly from the actual vehicle, as the dimensions are chassis-specific and unique to each vehicle.

# VNL 640, Truck, 6x4



T8216836

Fig. 16 VNL 640, CABH 200, CABL 290, 6x4

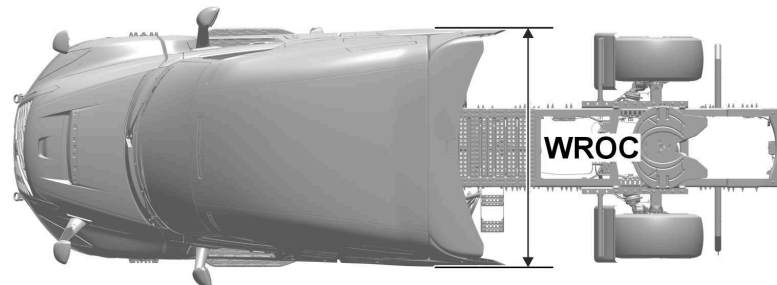
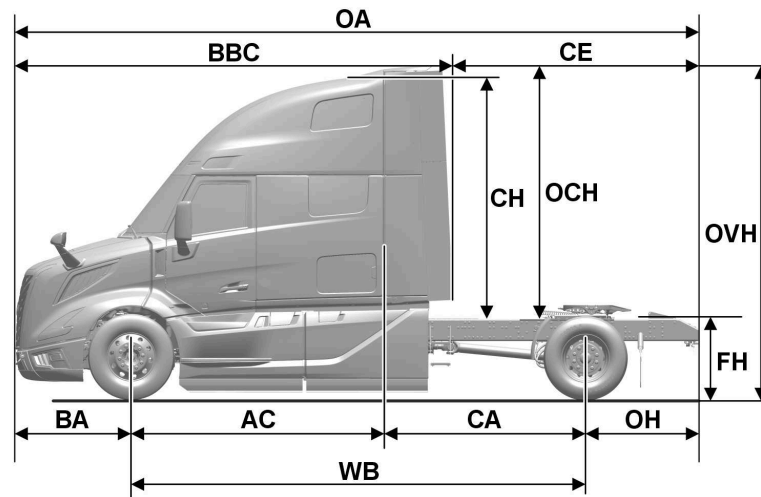
See Fig. 16

**Dimensions**

<b>Description</b>	<b>Drawing Reference</b>	<b>Dimension</b>
Bumper to front axle	BA	1408 mm
Front axle to end of cab	AC	3107 mm
End of cab to rear axle	CA	1643 mm
Overhang	OH	745 mm
Bogie spread	BS	1300 mm
Wheelbase	WB	4750 mm
Overall Length	OA	8213 mm
Bumper to back of cab	BBC	5118 mm
Cab to end of frame	CE	3095 mm
Unladen frame height	FH	1039 mm
Cab height	CH	2494 mm
Overall cab height	OCH	2997 mm
Overall height	OVH	3987 mm
Width of rear of cab	WROC	2590 mm
Mirror width	MW	3034 mm
Cab width	W	2546 mm

**Note:** The vehicle dimensions shown may vary slightly from the actual vehicle, as the dimensions are chassis-specific and unique to each vehicle.

# VNL 660, Truck, 4x2



T8216896

Fig. 17 VNL 660, CABH 270, CABL 290, 4x2

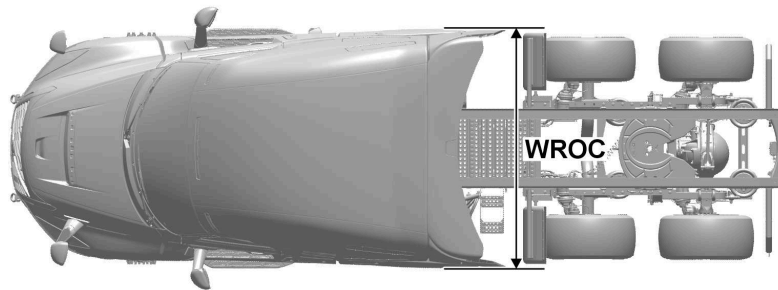
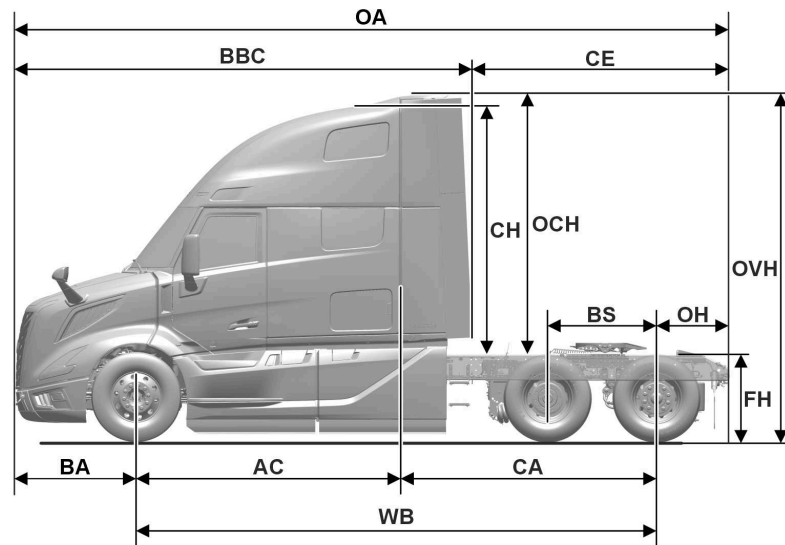
See Fig. 17

**Dimensions**

<b>Description</b>	<b>Drawing Reference</b>	<b>Dimension</b>
Bumper to front axle	BA	1408 mm
Front axle to end of cab	AC	3110 mm
End of cab to rear axle	CA	2168 mm
Overhang	OH	845 mm
Wheelbase	WB	5415 mm
Overall Length	OA	8313 mm
Bumper to back of cab	BBC	6858 mm
Cab to end of frame	CE	1455 mm
Unladen frame height	FH	1019 mm
Cab height	CH	3036 mm
Overall cab height	OCH	3083 mm
Overall height	OVH	4092 mm
Width of rear of cab	WROC	2585 mm
Mirror width	MW	3034 mm
Cab width	W	2580 mm

**Note:** The vehicle dimensions shown may vary slightly from the actual vehicle, as the dimensions are chassis-specific and unique to each vehicle.

# VNL 660, Truck, 6x2



T8216837

Fig. 18 VNL 660, CABH 270, CABL 290, 6x2

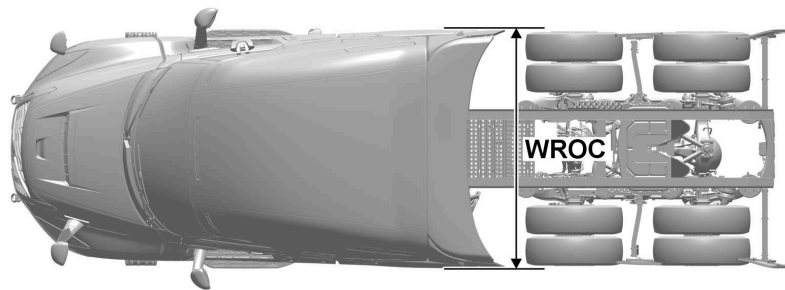
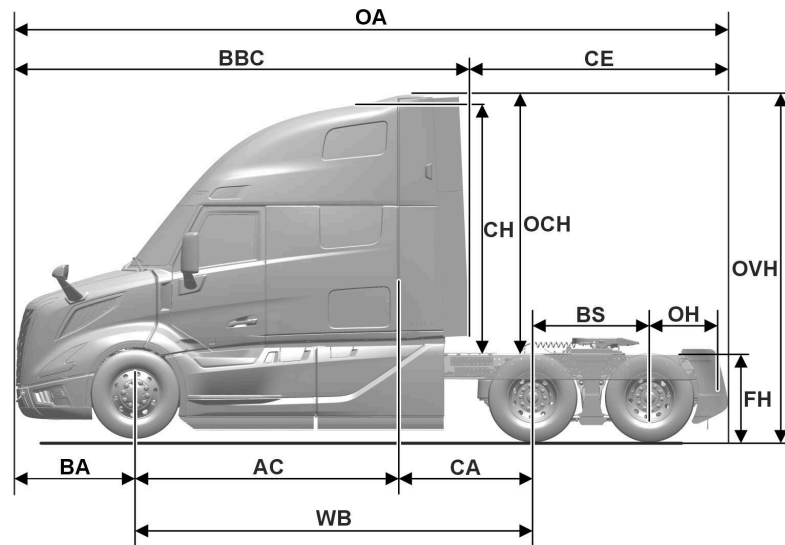
See Fig. 18

**Dimensions**

<b>Description</b>	<b>Drawing Reference</b>	<b>Dimension</b>
Bumper to front axle	BA	1408 mm
Front axle to end of cab	AC	3110 mm
End of cab to rear axle	CA	2940 mm
Overhang	OH	845 mm
Bogie spread	BS	1270 mm
Wheelbase	WB	6050 mm
Overall Length	OA	8313 mm
Bumper to back of cab	BBC	6858 mm
Cab to end of frame	CE	1455 mm
Unladen frame height	FH	1019 mm
Cab height	CH	3036 mm
Overall cab height	OCH	3083 mm
Overall height	OVH	4092 mm
Width of rear of cab	WROC	2585 mm
Mirror width	MW	3034 mm
Cab width	W	2580 mm

**Note:** The vehicle dimensions shown may vary slightly from the actual vehicle, as the dimensions are chassis-specific and unique to each vehicle.

# VNL 660, Truck, 6x4



T8216838

Fig. 19 VNL 660, CABH 270, CABL 290, 6x4

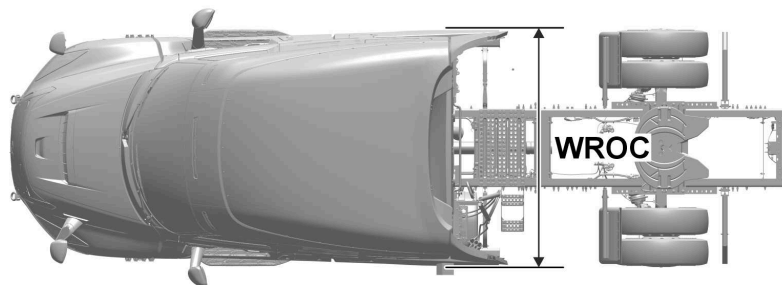
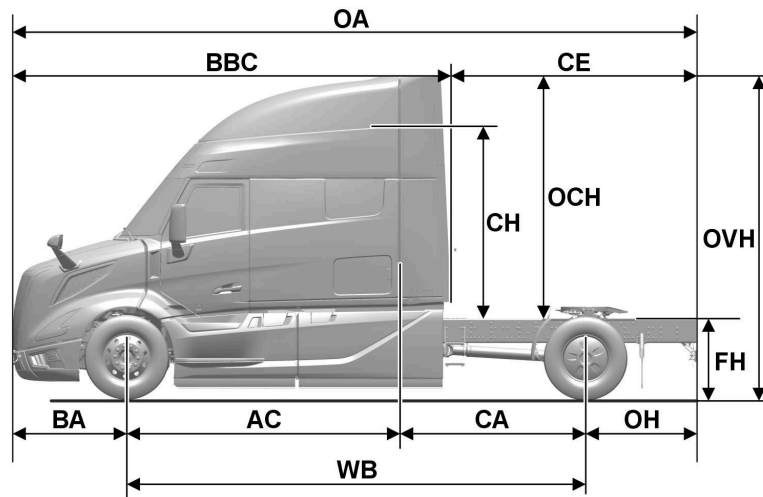
See Fig. 19

**Dimensions**

<b>Description</b>	<b>Drawing Reference</b>	<b>Dimension</b>
Bumper to front axle	BA	1408 mm
Front axle to end of cab	AC	3110 mm
End of cab to rear axle	CA	1540 mm
Overhang	OH	775 mm
Bogie spread	BS	1370 mm
Wheelbase	WB	4650 mm
Overall Length	OA	8328 mm
Bumper to back of cab	BBC	5317 mm
Cab to end of frame	CE	3011 mm
Unladen frame height	FH	1074 mm
Cab height	CH	3019 mm
Overall cab height	OCH	3066 mm
Overall height	OVH	4085 mm
Width of rear of cab	WROC	2580 mm
Mirror width	MW	3034 mm
Cab width	W	2580 mm

**Note:** The vehicle dimensions shown may vary slightly from the actual vehicle, as the dimensions are chassis-specific and unique to each vehicle.

# VNL 840, Truck, 4x2



T8216897

Fig. 20 VNL 840, CABH 200, CABL 320, 4x2

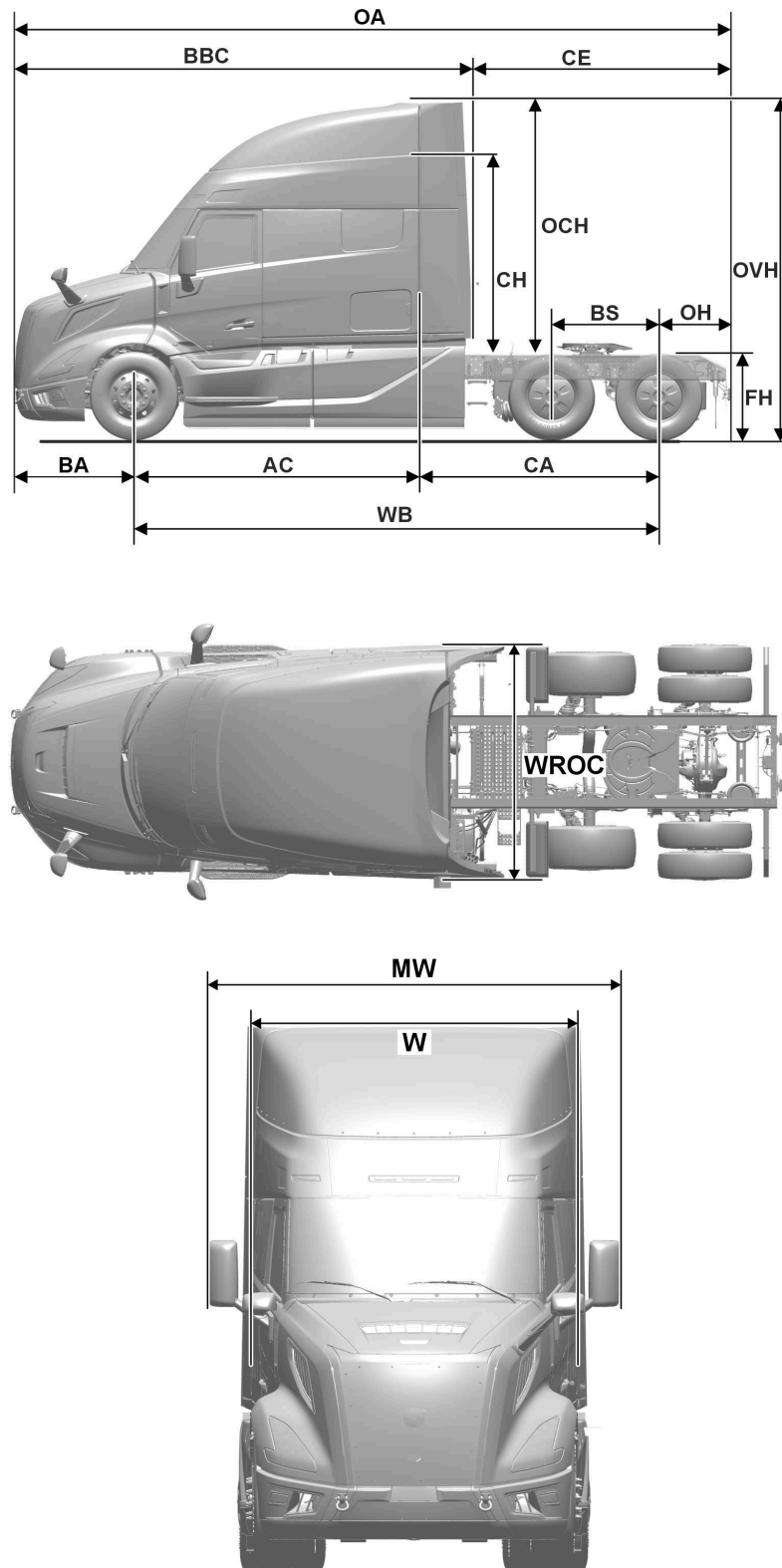
See Fig. 20

**Dimensions**

<b>Description</b>	<b>Drawing Reference</b>	<b>Dimension</b>
Bumper to front axle	BA	1409 mm
Front axle to end of cab	AC	3410 mm
End of cab to rear axle	CA	1540 mm
Overhang	OH	845 mm
Wheelbase	WB	5565 mm
Overall Length	OA	8454 mm
Bumper to back of cab	BBC	5419 mm
Cab to end of frame	CE	3011 mm
Unladen frame height	FH	1027 mm
Cab height	CH	2491 mm
Overall cab height	OCH	2997 mm
Overall height	OVH	3982 mm
Width of rear of cab	WROC	2576 mm
Mirror width	MW	3034 mm
Cab width	W	2546 mm

**Note:** The vehicle dimensions shown may vary slightly from the actual vehicle, as the dimensions are chassis-specific and unique to each vehicle.

# VNL 840, Truck, 6x2



T8216839

Fig. 21 VNL 840, CABH 200, CABL 320, 6x2

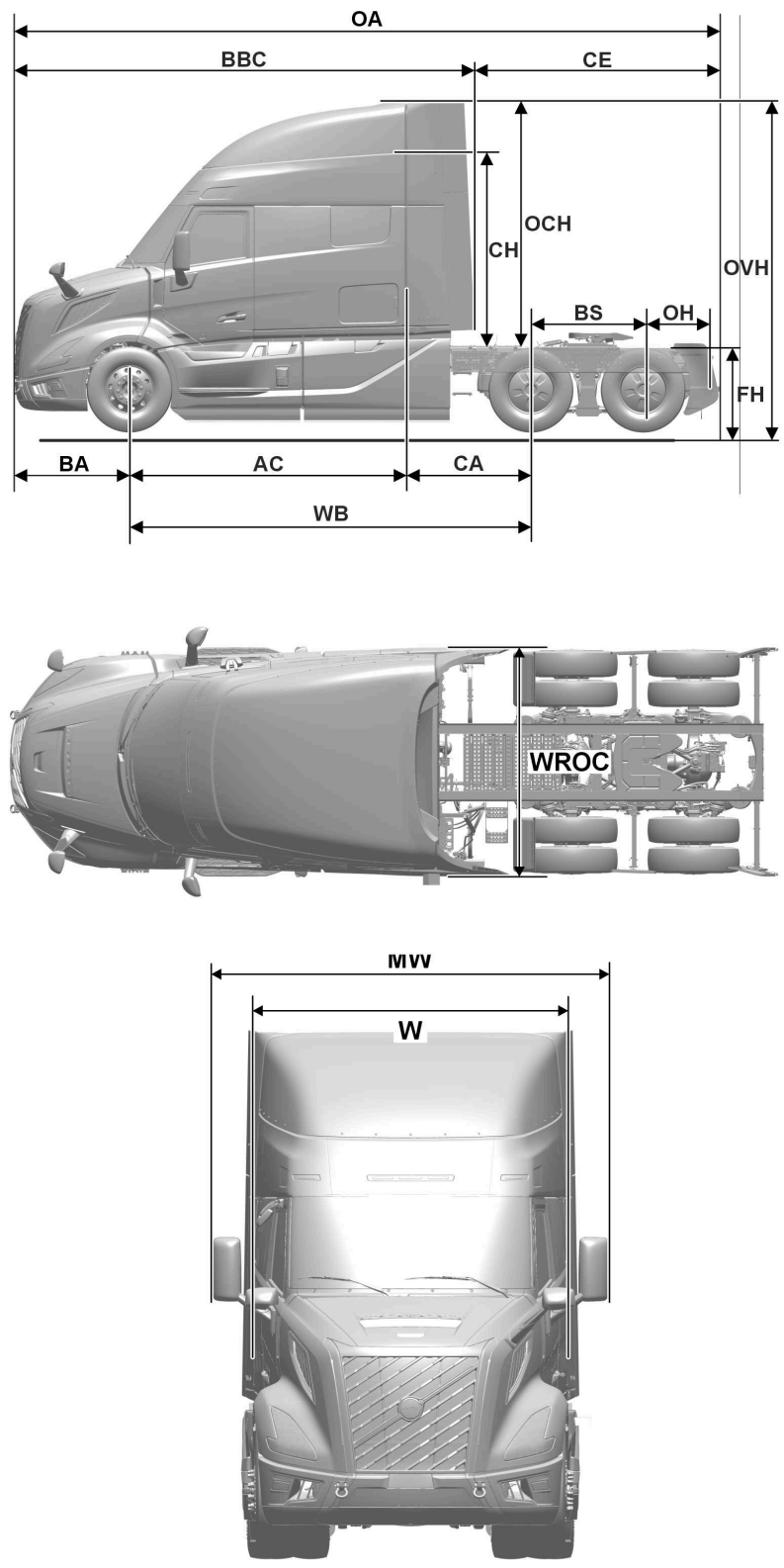
See Fig. 21

**Dimensions**

<b>Description</b>	<b>Drawing Reference</b>	<b>Dimension</b>
Bumper to front axle	BA	1409 mm
Front axle to end of cab	AC	3410 mm
End of cab to rear axle	CA	1540 mm
Overhang	OH	845 mm
Bogie spread	BS	1270 mm
Wheelbase	WB	6200 mm
Overall Length	OA	8454 mm
Bumper to back of cab	BBC	5419 mm
Cab to end of frame	CE	3011 mm
Unladen frame height	FH	1027 mm
Cab height	CH	2491 mm
Overall cab height	OCH	2997 mm
Overall height	OVH	3982 mm
Width of rear of cab	WROC	2576 mm
Mirror width	MW	3034 mm
Cab width	W	2546 mm

**Note:** The vehicle dimensions shown may vary slightly from the actual vehicle, as the dimensions are chassis-specific and unique to each vehicle.

# VNL 840, Truck, 6x4



T8216840

Fig. 22 VNL 840, CABH 200, CABL 320, 6x4

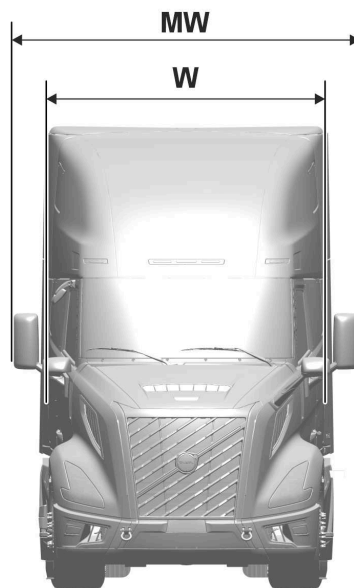
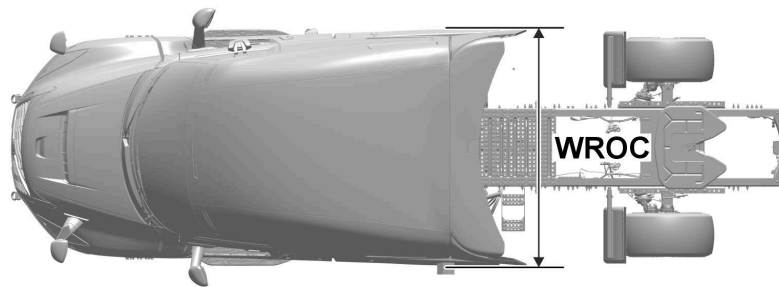
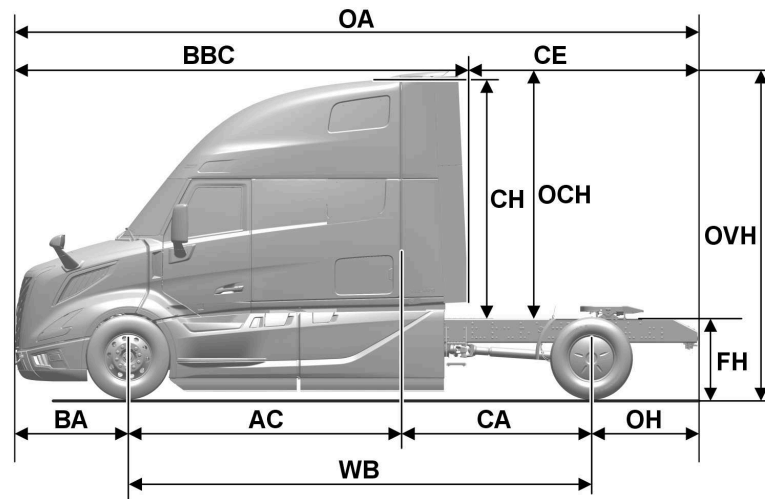
See Fig. 22

**Dimensions**

<b>Description</b>	<b>Drawing Reference</b>	<b>Dimension</b>
Bumper to front axle	BA	1408 mm
Front axle to end of cab	AC	3410 mm
End of cab to rear axle	CA	1490 mm
Overhang	OH	775 mm
Bogie spread	BS	1370 mm
Wheelbase	WB	4900 mm
Overall Length	OA	8593 mm
Bumper to back of cab	BBC	5617 mm
Cab to end of frame	CE	2976 mm
Unladen frame height	FH	1081 mm
Cab height	CH	2491 mm
Overall cab height	OCH	3006 mm
Overall height	OVH	4024 mm
Width of rear of cab	WROC	2590 mm
Mirror width	MW	3034 mm
Cab width	W	2580 mm

**Note:** The vehicle dimensions shown may vary slightly from the actual vehicle, as the dimensions are chassis-specific and unique to each vehicle.

# VNL 860, Truck, 4x2



T8216898

Fig. 23 VNL 860, CABH 270, CABL 320, 4x2

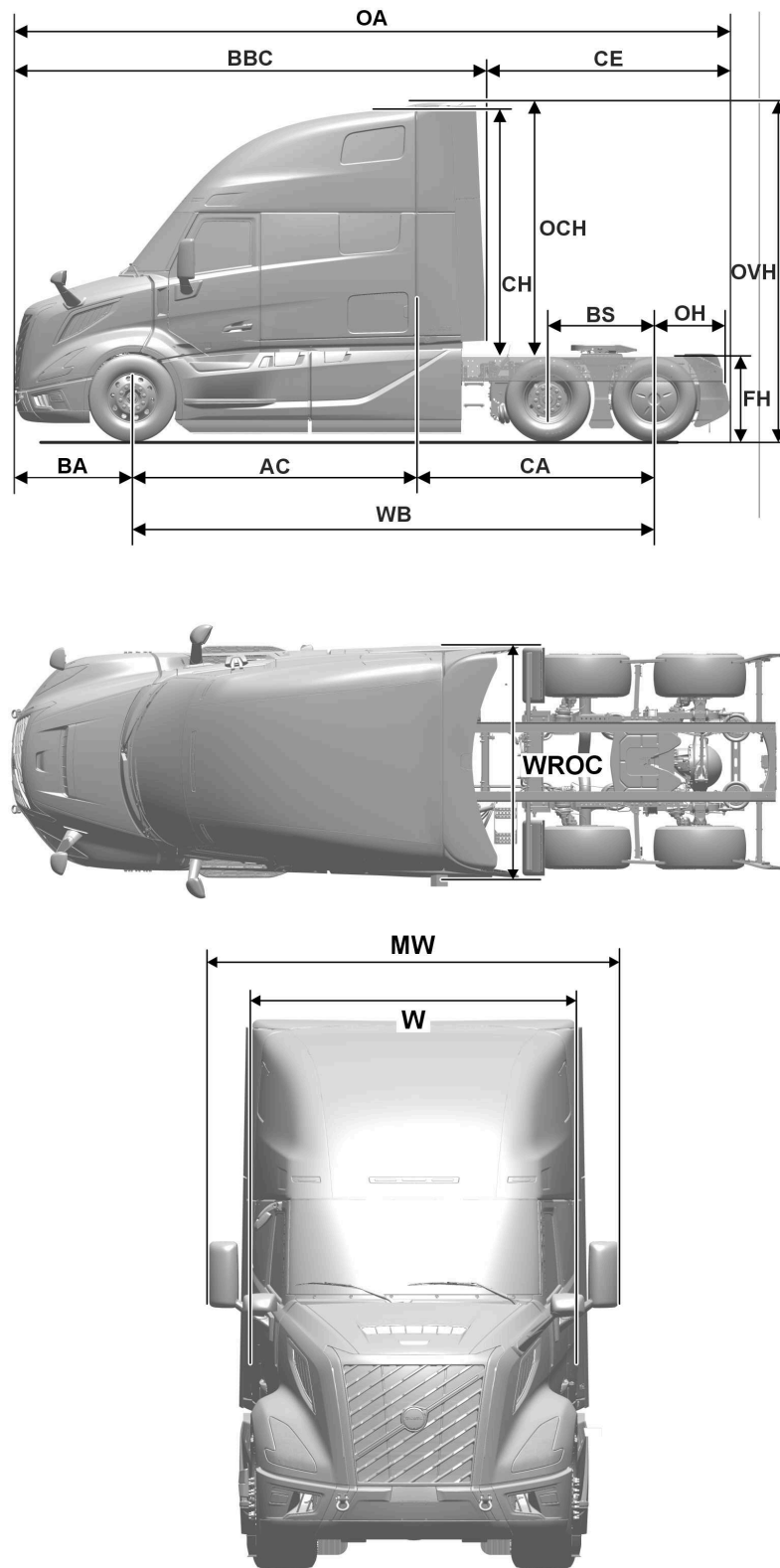
See Fig. 23

**Dimensions**

<b>Description</b>	<b>Drawing Reference</b>	<b>Dimension</b>
Bumper to front axle	BA	1408 mm
Front axle to end of cab	AC	3410 mm
End of cab to rear axle	CA	2790 mm
Overhang	OH	845 mm
Wheelbase	WB	5565 mm
Overall Length	OA	8512 mm
Bumper to back of cab	BBC	5617 mm
Cab to end of frame	CE	2895 mm
Unladen frame height	FH	1040 mm
Cab height	CH	3019 mm
Overall cab height	OCH	3064 mm
Overall height	OVH	4098 mm
Width of rear of cab	WROC	2580 mm
Mirror width	MW	3034 mm
Cab width	W	2580 mm

**Note:** The vehicle dimensions shown may vary slightly from the actual vehicle, as the dimensions are chassis-specific and unique to each vehicle.

# VNL 860, Truck, 6x2



T8216841

Fig. 24 VNL 860, CABH 270, CABL 320, 6x2

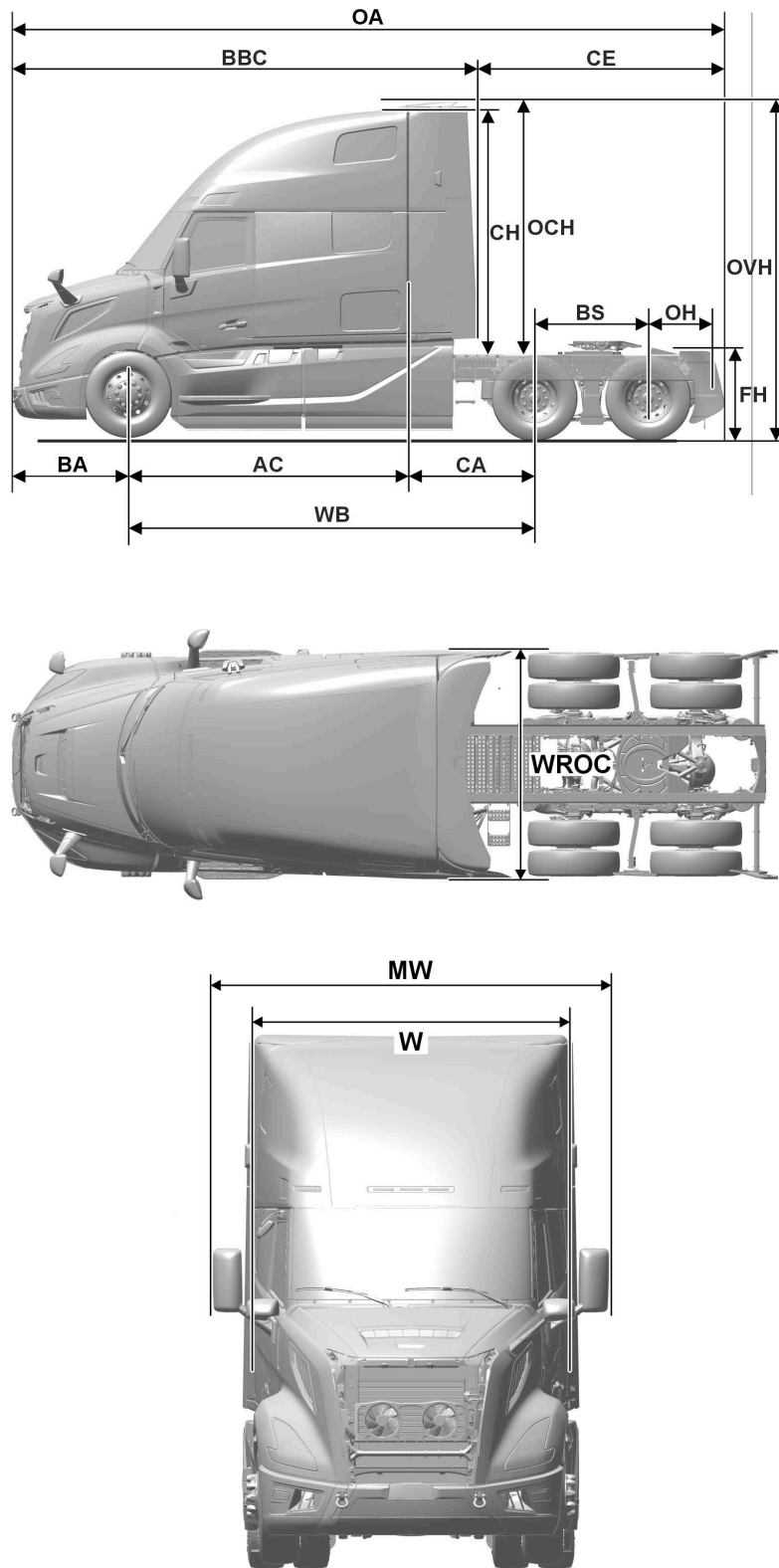
See Fig. 24

**Dimensions**

<b>Description</b>	<b>Drawing Reference</b>	<b>Dimension</b>
Bumper to front axle	BA	1408 mm
Front axle to end of cab	AC	3410 mm
End of cab to rear axle	CA	2790 mm
Overhang	OH	845 mm
Bogie spread	BS	1270 mm
Wheelbase	WB	6200 mm
Overall Length	OA	8512 mm
Bumper to back of cab	BBC	5617 mm
Cab to end of frame	CE	2895 mm
Unladen frame height	FH	1040 mm
Cab height	CH	3019 mm
Overall cab height	OCH	3064 mm
Overall height	OVH	4098 mm
Width of rear of cab	WROC	2580 mm
Mirror width	MW	3034 mm
Cab width	W	2580 mm

**Note:** The vehicle dimensions shown may vary slightly from the actual vehicle, as the dimensions are chassis-specific and unique to each vehicle.

# VNL 860, Truck, 6x4



T8216842

Fig. 25 VNL 860, CABH 270, CABL 320, 6x4

See Fig. 25

**Dimensions**

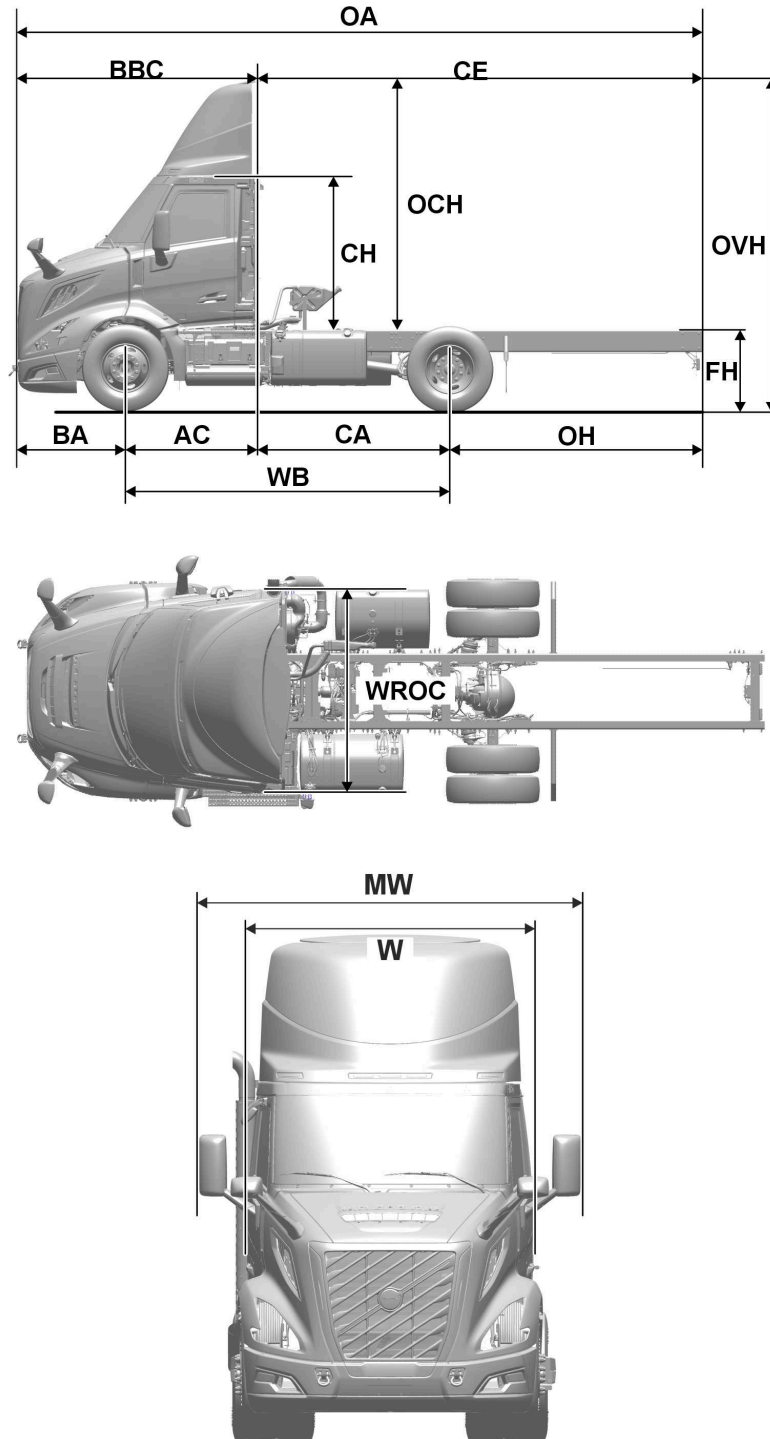
<b>Description</b>	<b>Drawing Reference</b>	<b>Dimension</b>
Bumper to front axle	BA	1327 mm
Front axle to end of cab	AC	3410 mm
End of cab to rear axle	CA	1490 mm
Overhang	OH	775 mm
Bogie spread	BS	1370 mm
Wheelbase	WB	4900 mm
Overall Length	OA	8497 mm
Bumper to back of cab	BBC	5536 mm
Cab to end of frame	CE	2961 mm
Unladen frame height	FH	1040 mm
Cab height	CH	3019 mm
Overall cab height	OCH	3064 mm
Overall height	OVH	4075 mm
Width of rear of cab	WROC	2580 mm
Mirror width	MW	3034 mm
Cab width	W	2580 mm

**Note:** The vehicle dimensions shown may vary slightly from the actual vehicle, as the dimensions are chassis-specific and unique to each vehicle.

# Chassis Diagrams

## Chassis Diagrams, VNR

VNR 300, Truck, 4x2



T8216843

Fig. 26 VNR 300, CABH 155, CABL 150, 4x2

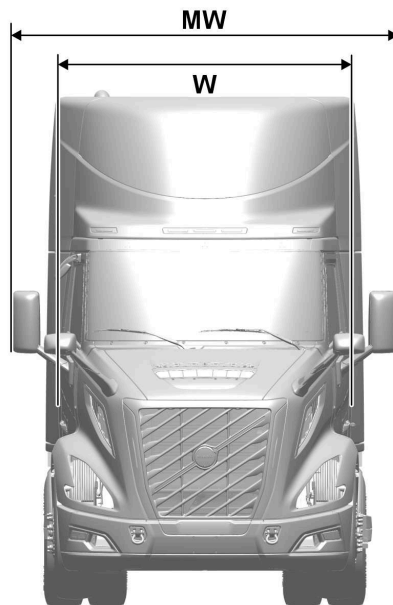
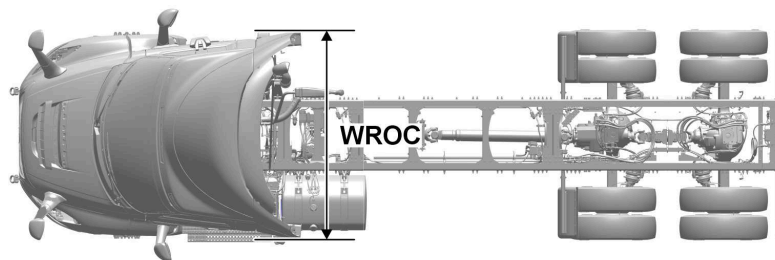
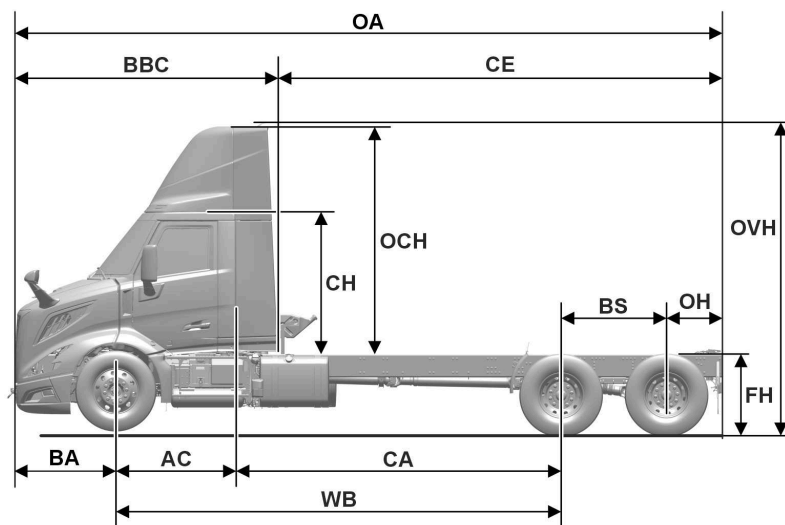
See Fig. 26

**Dimensions**

<b>Description</b>	<b>Drawing Reference</b>	<b>Dimension</b>
Bumper to front axle	BA	1297 mm
Front axle to end of cab	AC	1585 mm
End of cab to rear axle	CA	2315 mm
Overhang	OH	3045 mm
Wheelbase	WB	3900 mm
Overall Length	OA	8242 mm
Bumper to back of cab	BBC	2882 mm
Cab to end of frame	CE	5360 mm
Unladen frame height	FH	1075 mm
Cab height	CH	1870 mm
Overall cab height	OCH	3026 mm
Overall height	OVH	3981 mm
Width of rear of cab	WROC	2490 mm
Mirror width	MW	3034 mm
Cab width	W	2418 mm

**Note:** The vehicle dimensions shown may vary slightly from the actual vehicle, as the dimensions are chassis-specific and unique to each vehicle.

# VNR 300, Truck, 6x4



T8216844

Fig. 27 VNR 300, CABH 155, CABL 150, 6x4

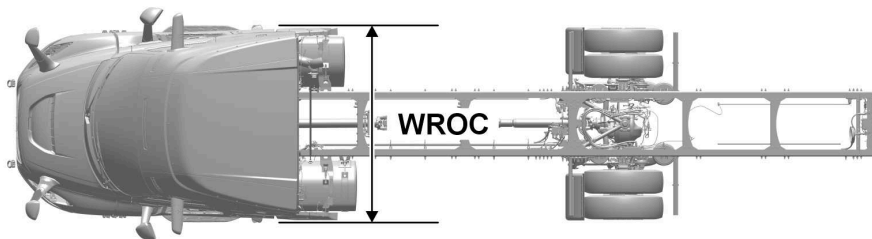
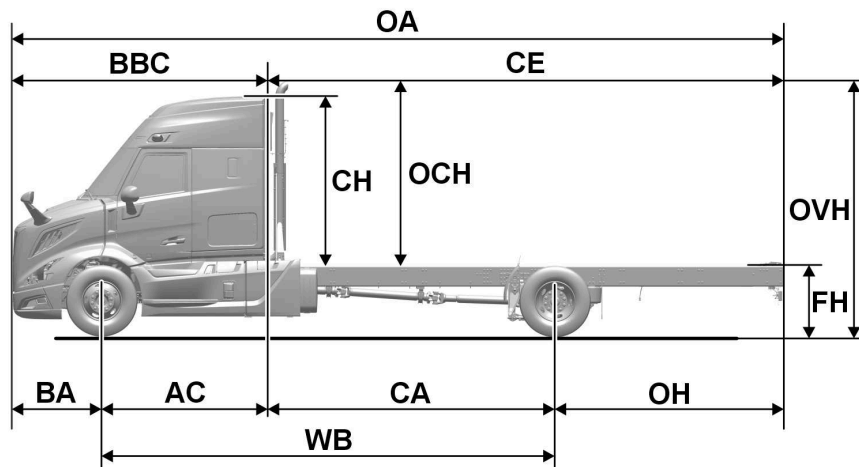
See Fig. 27

**Dimensions**

<b>Description</b>	<b>Drawing Reference</b>	<b>Dimension</b>
Bumper to front axle	BA	1297 mm
Front axle to end of cab	AC	1585 mm
End of cab to rear axle	CA	4065 mm
Overhang	OH	725 mm
Bogie spread	BS	1370 mm
Wheelbase	WB	5650 mm
Overall Length	OA	9042 mm
Bumper to back of cab	BBC	2882 mm
Cab to end of frame	CE	6160 mm
Unladen frame height	FH	1075 mm
Cab height	CH	1853 mm
Overall cab height	OCH	3007 mm
Overall height	OVH	4038 mm
Width of rear of cab	WROC	2570 mm
Mirror width	MW	3034 mm
Cab width	W	2416 mm

**Note:** The vehicle dimensions shown may vary slightly from the actual vehicle, as the dimensions are chassis-specific and unique to each vehicle.

# VNR 440, Truck, 4x2



T8216845

Fig. 28 VNR 440, CABH 200, CABL 230, 4x2

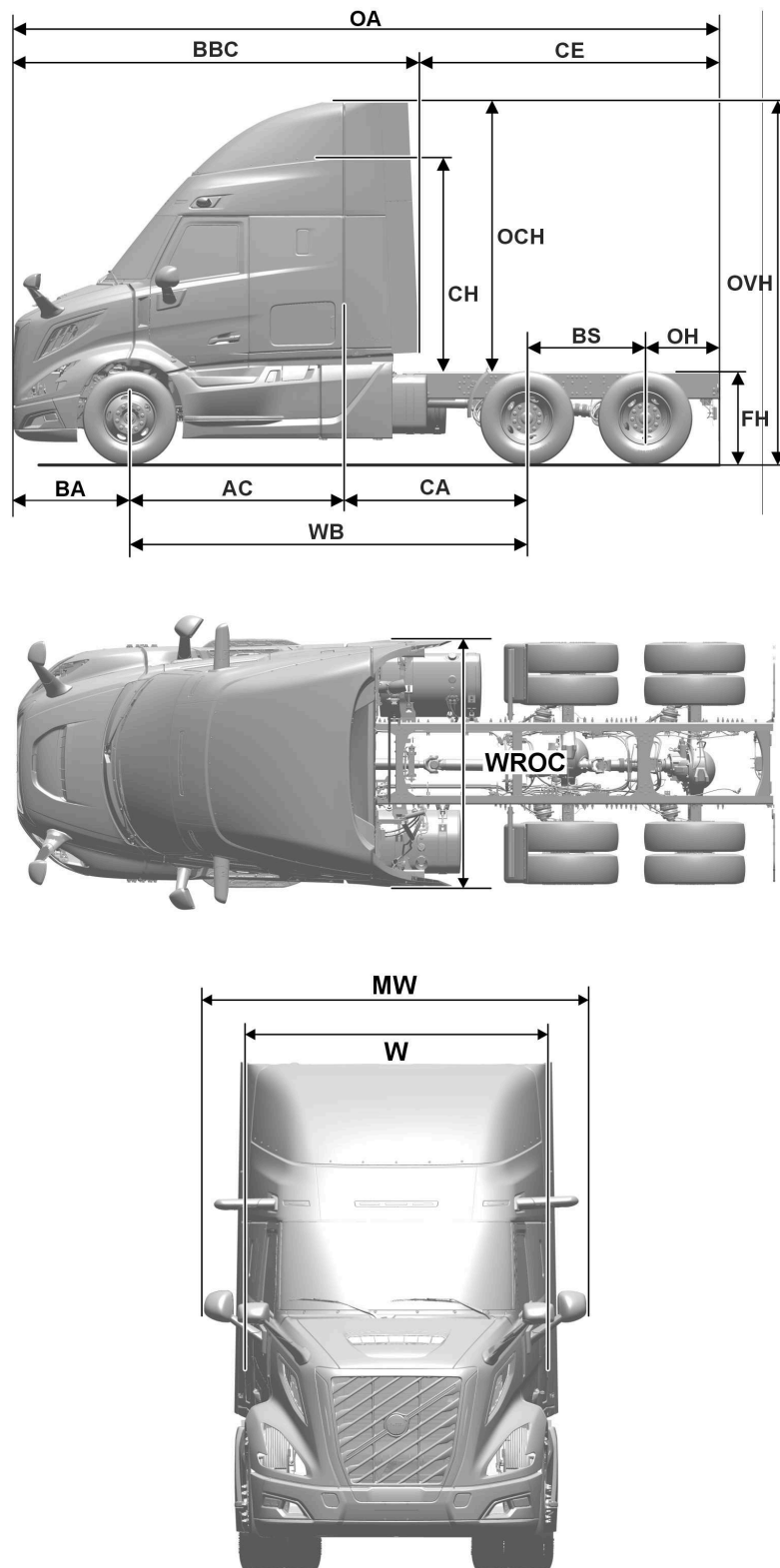
See Fig. 28

**Dimensions**

<b>Description</b>	<b>Drawing Reference</b>	<b>Dimension</b>
Bumper to front axle	BA	1297 mm
Front axle to end of cab	AC	2410 mm
End of cab to rear axle	CA	4240 mm
Overhang	OH	3345 mm
Wheelbase	WB	6650 mm
Overall Length	OA	11292 mm
Bumper to back of cab	BBC	3707 mm
Cab to end of frame	CE	7585 mm
Unladen frame height	FH	1075 mm
Cab height	CH	2491 mm
Overall cab height	OCH	2727 mm
Overall height	OVH	3738 mm
Width of rear of cab	WROC	2590 mm
Mirror width	MW	3075 mm
Cab width	W	2590 mm

**Note:** The vehicle dimensions shown may vary slightly from the actual vehicle, as the dimensions are chassis-specific and unique to each vehicle.

# VNR 440, Truck, 6x4



T8216846

Fig. 29 VNR 440, CABH 200, CABL 230, 6x4

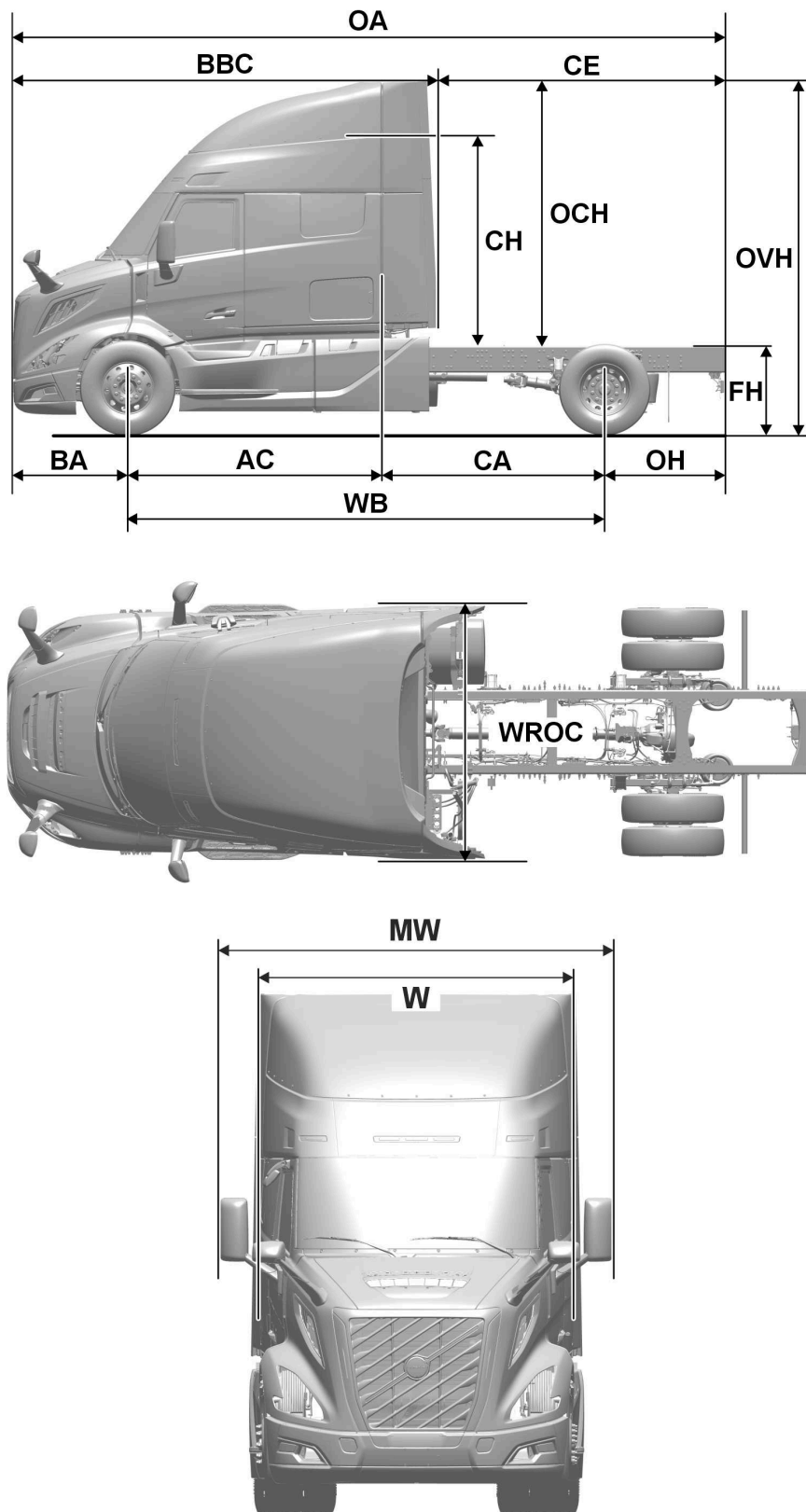
See Fig. 29

**Dimensions**

<b>Description</b>	<b>Drawing Reference</b>	<b>Dimension</b>
Bumper to front axle	BA	1297 mm
Front axle to end of cab	AC	2410 mm
End of cab to rear axle	CA	1990 mm
Overhang	OH	795 mm
Bogie spread	BS	1300 mm
Wheelbase	WB	4400 mm
Overall Length	OA	7795 mm
Bumper to back of cab	BBC	4506 mm
Cab to end of frame	CE	3289 mm
Unladen frame height	FH	1075 mm
Cab height	CH	2491 mm
Overall cab height	OCH	3006 mm
Overall height	OVH	4019 mm
Width of rear of cab	WROC	2580 mm
Mirror width	MW	3075 mm
Cab width	W	2580 mm

**Note:** The vehicle dimensions shown may vary slightly from the actual vehicle, as the dimensions are chassis-specific and unique to each vehicle.

# VNR 640, Truck, 4x2



T8216847

Fig. 30 VNR 640, CABH 200, CABL 290, 4x2

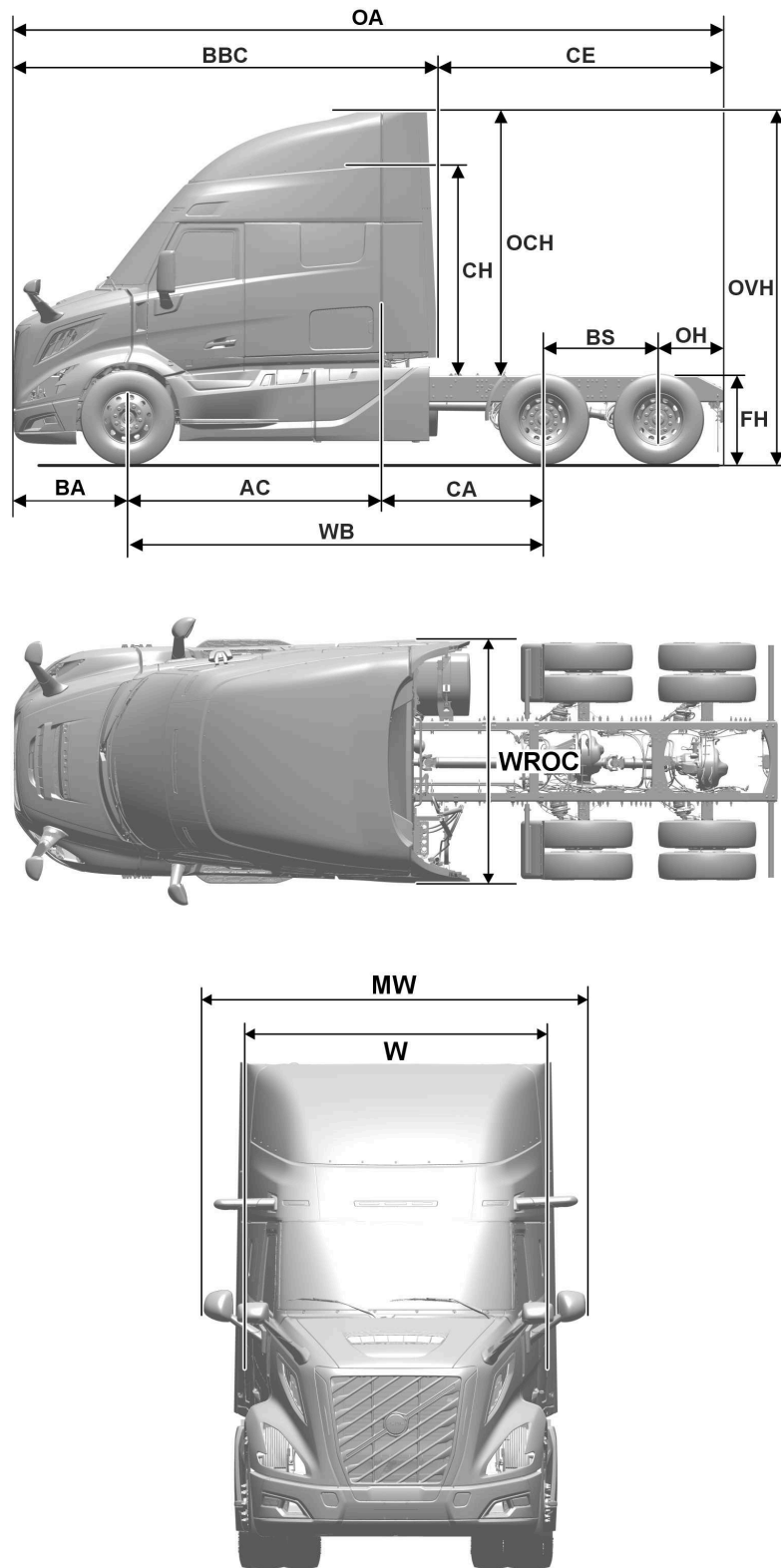
See Fig. 30

**Dimensions**

<b>Description</b>	<b>Drawing Reference</b>	<b>Dimension</b>
Bumper to front axle	BA	1297 mm
Front axle to end of cab	AC	2910 mm
End of cab to rear axle	CA	1790 mm
Overhang	OH	745 mm
Wheelbase	WB	4700 mm
Overall Length	OA	8045 mm
Bumper to back of cab	BBC	6557 mm
Cab to end of frame	CE	3289 mm
Unladen frame height	FH	1075 mm
Cab height	CH	2491 mm
Overall cab height	OCH	2997 mm
Overall height	OVH	3988 mm
Width of rear of cab	WROC	2576 mm
Mirror width	MW	3034 mm
Cab width	W	2576 mm

**Note:** The vehicle dimensions shown may vary slightly from the actual vehicle, as the dimensions are chassis-specific and unique to each vehicle.

# VNR 640, Truck, 6x4



T8216848

Fig. 31 VNR 640, CABH 200, CABL 290, 6x4

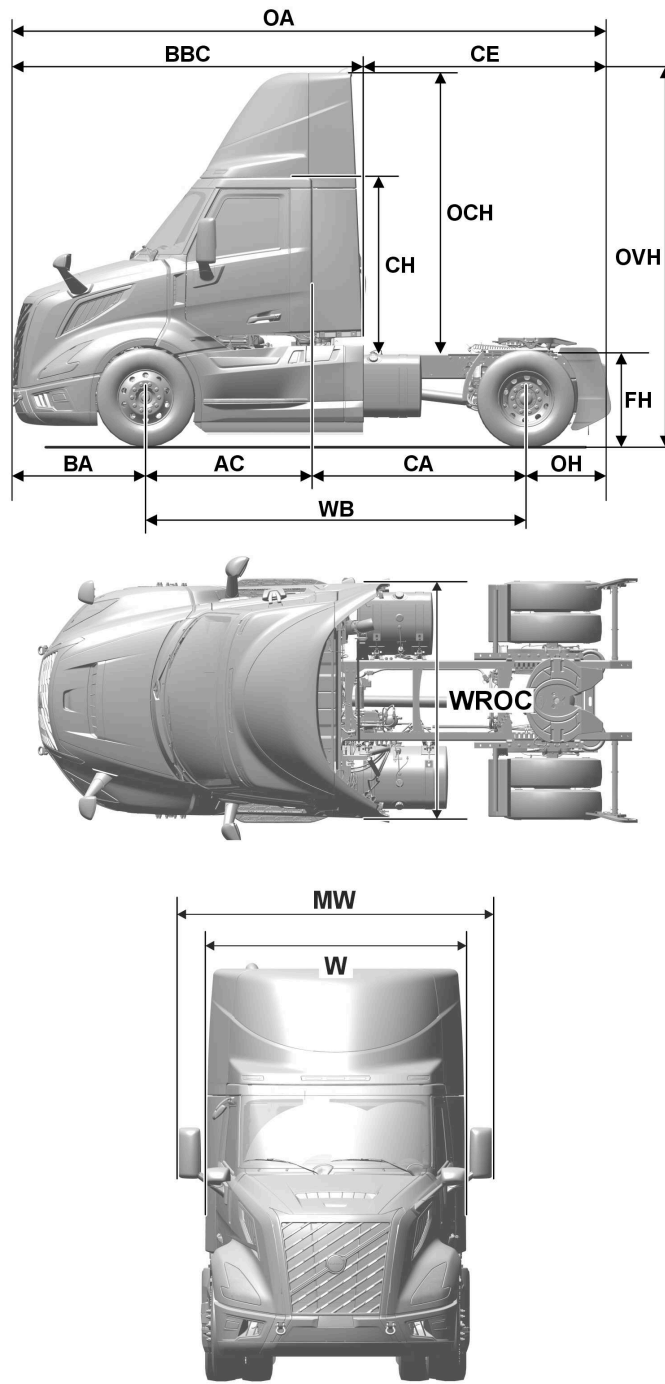
See Fig. 31

**Dimensions**

<b>Description</b>	<b>Drawing Reference</b>	<b>Dimension</b>
Bumper to front axle	BA	1297 mm
Front axle to end of cab	AC	2910 mm
End of cab to rear axle	CA	1790 mm
Overhang	OH	745 mm
Bogie spread	BS	1300 mm
Wheelbase	WB	4700 mm
Overall Length	OA	8045 mm
Bumper to back of cab	BBC	6557 mm
Cab to end of frame	CE	3289 mm
Unladen frame height	FH	1075 mm
Cab height	CH	2491 mm
Overall cab height	OCH	2997 mm
Overall height	OVH	3988 mm
Width of rear of cab	WROC	2576 mm
Mirror width	MW	3034 mm
Cab width	W	2576 mm

**Note:** The vehicle dimensions shown may vary slightly from the actual vehicle, as the dimensions are chassis-specific and unique to each vehicle.

# VNR 300, Truck, 4x2



T8216821

Fig. 32 VNR 300, CABH 155, CABL 150, 4x2

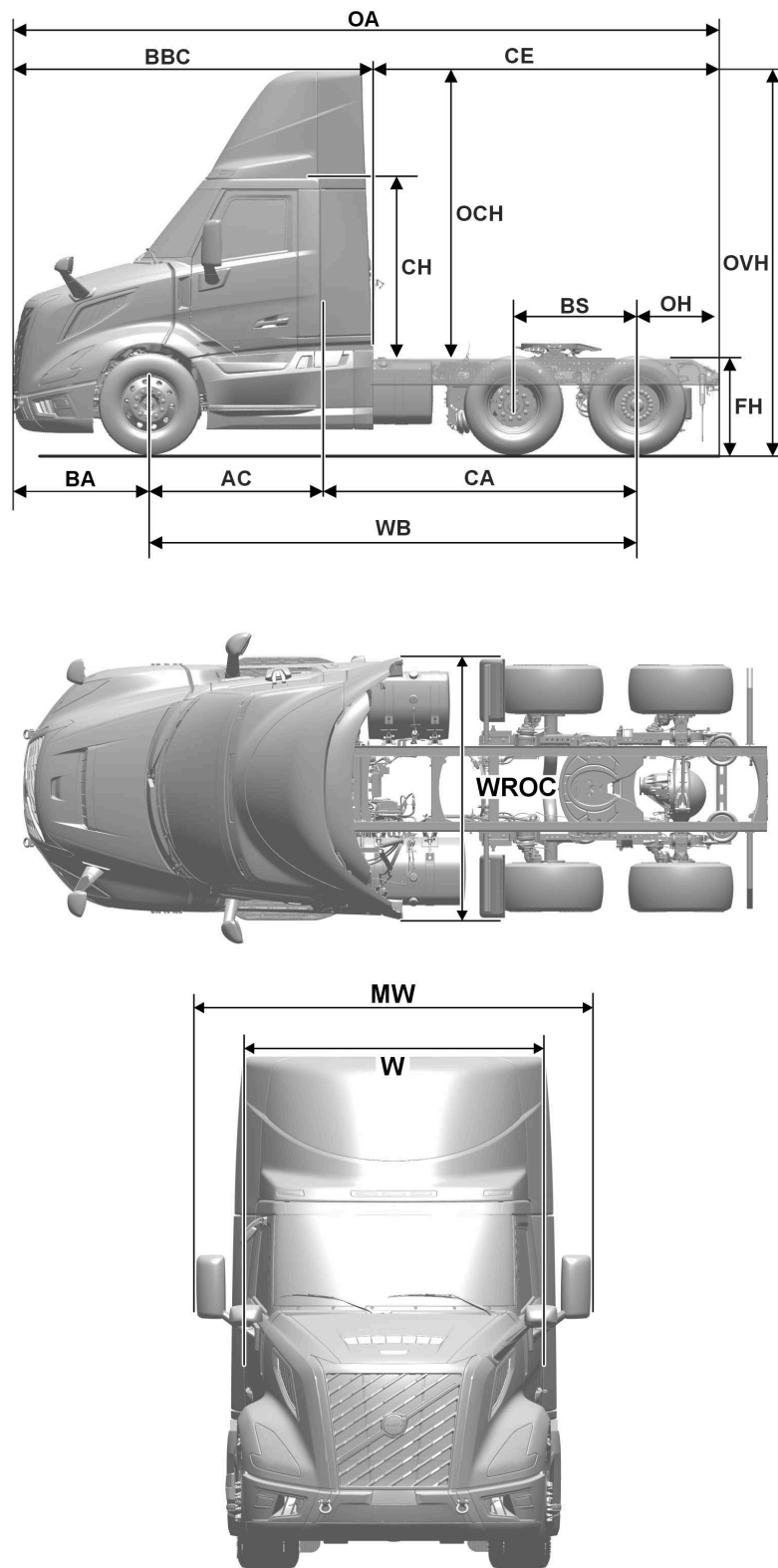
See Fig. 32

**Dimensions**

<b>Description</b>	<b>Drawing Reference</b>	<b>Dimension</b>
Bumper to front axle	BA	1408 mm
Front axle to end of cab	AC	1785 mm
End of cab to rear axle	CA	2168 mm
Overhang	OH	845 mm
Wheelbase	WB	3950 mm
Overall Length	OA	6206 mm
Bumper to back of cab	BBC	3777 mm
Cab to end of frame	CE	2429 mm
Unladen frame height	FH	1026 mm
Cab height	CH	1870 mm
Overall cab height	OCH	3026 mm
Overall height	OVH	4026 mm
Width of rear of cab	WROC	2576 mm
Mirror width	MW	3034 mm
Cab width	W	2502 mm

**Note:** The vehicle dimensions shown may vary slightly from the actual vehicle, as the dimensions are chassis-specific and unique to each vehicle.

# VNR 300, Truck, 6x2



T8216822

Fig. 33 VNR 300, CABH 155, CABL 150, 6x2

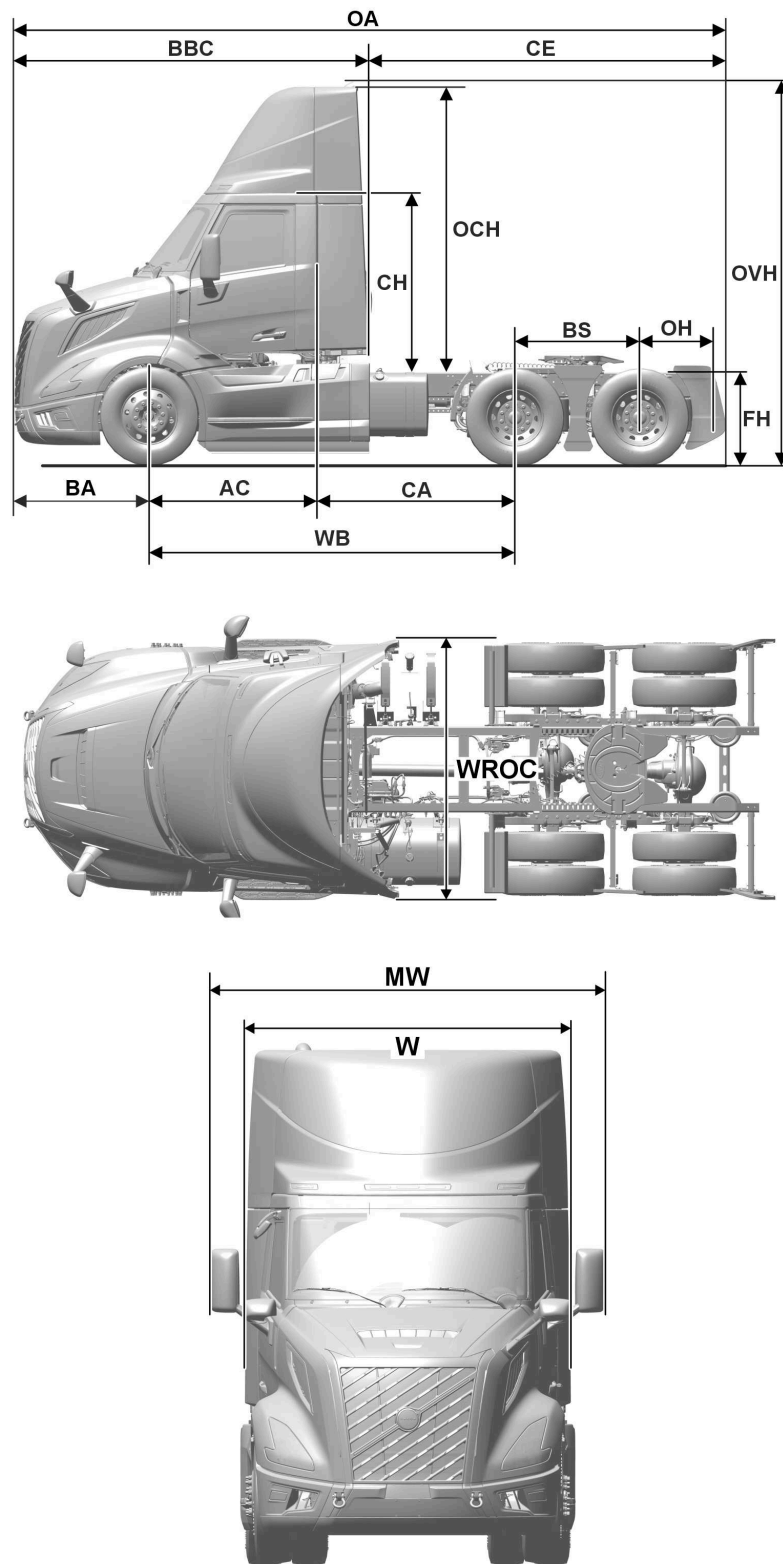
See Fig. 33

**Dimensions**

<b>Description</b>	<b>Drawing Reference</b>	<b>Dimension</b>
Bumper to front axle	BA	1408 mm
Front axle to end of cab	AC	1785 mm
End of cab to rear axle	CA	3225 mm
Overhang	OH	845 mm
Bogie spread	BS	1270 mm
Wheelbase	WB	6408 mm
Overall Length	OA	7263 mm
Bumper to back of cab	BBC	3714 mm
Cab to end of frame	CE	3549 mm
Unladen frame height	FH	1023 mm
Cab height	CH	1853 mm
Overall cab height	OCH	2952 mm
Overall height	OVH	3966 mm
Width of rear of cab	WROC	2576 mm
Mirror width	MW	3034 mm
Cab width	W	2502 mm

**Note:** The vehicle dimensions shown may vary slightly from the actual vehicle, as the dimensions are chassis-specific and unique to each vehicle.

# VNR 300, Truck, 6x4



T8216823

Fig. 34 VNR 300, CABH 155, CABL 150, 6x4

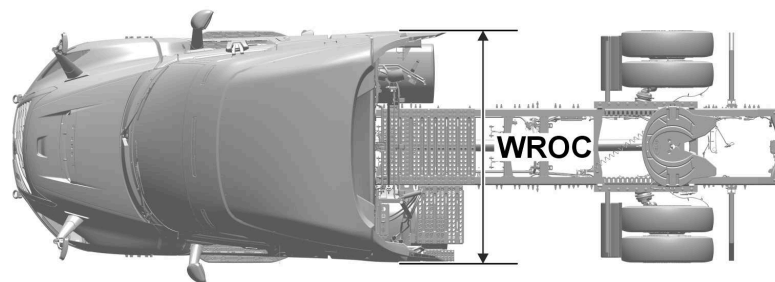
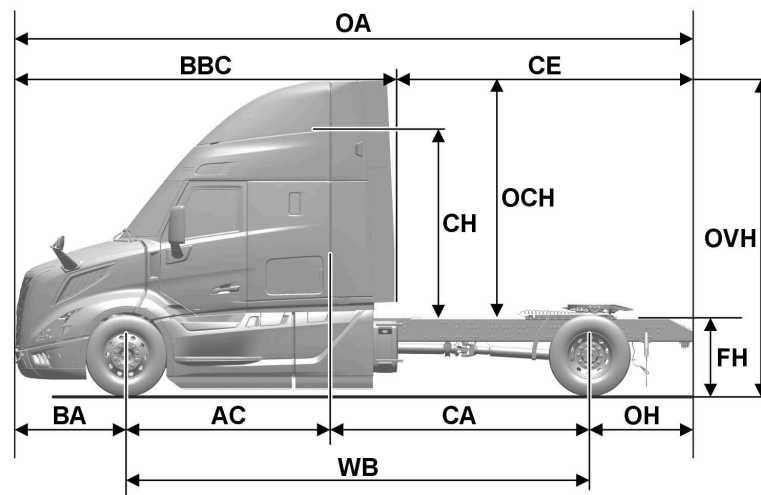
See Fig. 34

**Dimensions**

<b>Description</b>	<b>Drawing Reference</b>	<b>Dimension</b>
Bumper to front axle	BA	1408 mm
Front axle to end of cab	AC	1785 mm
End of cab to rear axle	CA	3225 mm
Overhang	OH	745 mm
Bogie spread	BS	1300 mm
Wheelbase	WB	5108 mm
Overall Length	OA	7308 mm
Bumper to back of cab	BBC	3777 mm
Cab to end of frame	CE	3531 mm
Unladen frame height	FH	1023 mm
Cab height	CH	1853 mm
Overall cab height	OCH	2952 mm
Overall height	OVH	3993 mm
Width of rear of cab	WROC	2576 mm
Mirror width	MW	3034 mm
Cab width	W	2502 mm

**Note:** The vehicle dimensions shown may vary slightly from the actual vehicle, as the dimensions are chassis-specific and unique to each vehicle.

# VNR 440, Truck, 4x2



T8216894

Fig. 35 VNR 440, CABH 200, CABL 230, 4x2

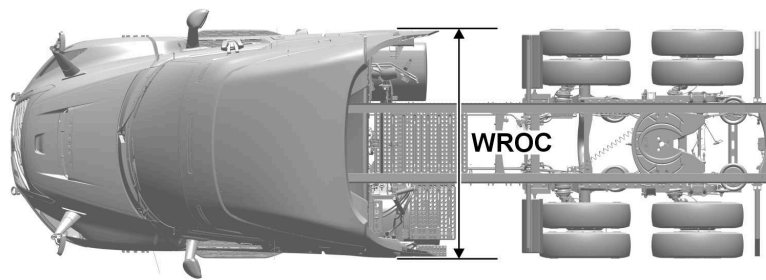
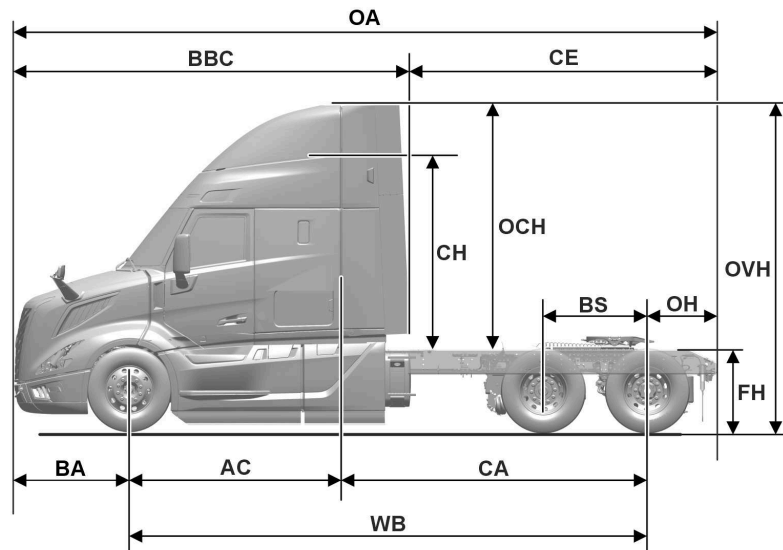
See Fig. 35

**Dimensions**

<b>Description</b>	<b>Drawing Reference</b>	<b>Dimension</b>
Bumper to front axle	BA	1408 mm
Front axle to end of cab	AC	2610 mm
End of cab to rear axle	CA	3700 mm
Overhang	OH	845 mm
Wheelbase	WB	5800 mm
Overall Length	OA	6300 mm
Bumper to back of cab	BBC	4817 mm
Cab to end of frame	CE	3746 mm
Unladen frame height	FH	1042 mm
Cab height	CH	2494 mm
Overall cab height	OCH	3007 mm
Overall height	OVH	3987 mm
Width of rear of cab	WROC	2580 mm
Mirror width	MW	3034 mm
Cab width	W	2502 mm

**Note:** The vehicle dimensions shown may vary slightly from the actual vehicle, as the dimensions are chassis-specific and unique to each vehicle.

# VNR 440, Truck, 6x2



T8216825

Fig. 36 VNR 440, CABH 200, CABL 230, 6x2

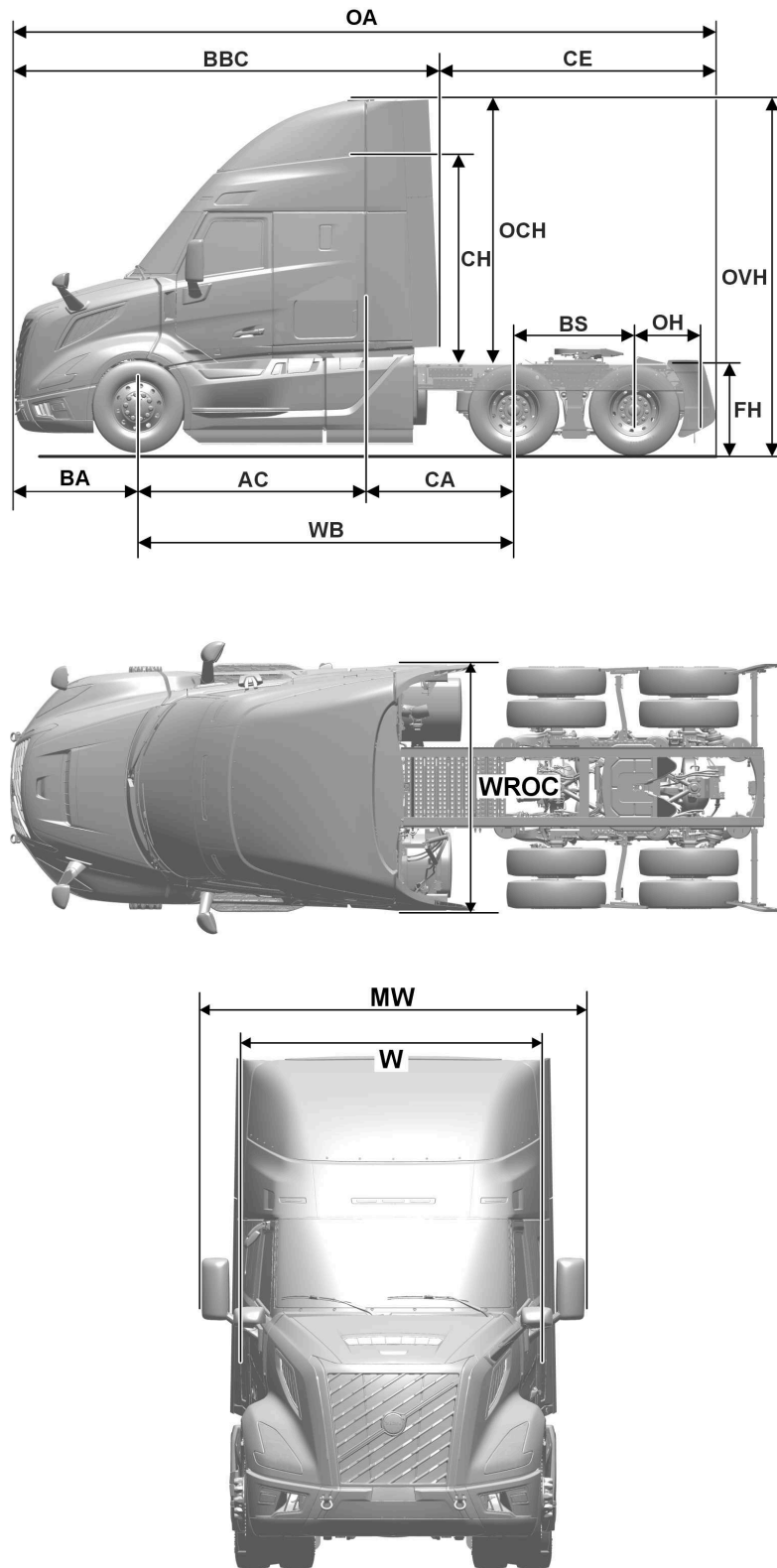
See Fig. 36

**Dimensions**

<b>Description</b>	<b>Drawing Reference</b>	<b>Dimension</b>
Bumper to front axle	BA	1408 mm
Front axle to end of cab	AC	2610 mm
End of cab to rear axle	CA	3700 mm
Overhang	OH	845 mm
Bogie spread	BS	1270 mm
Wheelbase	WB	6300 mm
Overall Length	OA	8563 mm
Bumper to back of cab	BBC	4817 mm
Cab to end of frame	CE	3746 mm
Unladen frame height	FH	1042 mm
Cab height	CH	2494 mm
Overall cab height	OCH	3007 mm
Overall height	OVH	3987 mm
Width of rear of cab	WROC	2580 mm
Mirror width	MW	3034 mm
Cab width	W	2502 mm

**Note:** The vehicle dimensions shown may vary slightly from the actual vehicle, as the dimensions are chassis-specific and unique to each vehicle.

# VNR 440, Truck, 6x4



T8216835

Fig. 37 VNR 440, CABH 200, CABL 230, 6x4

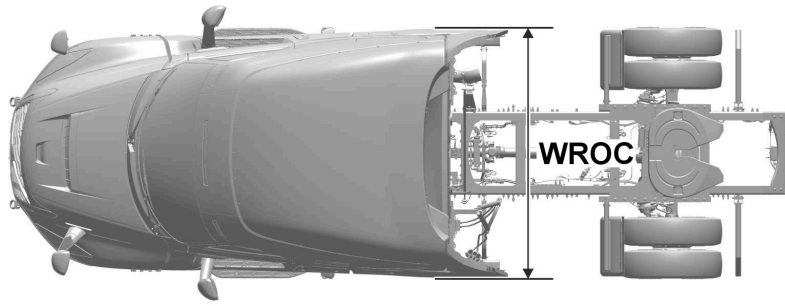
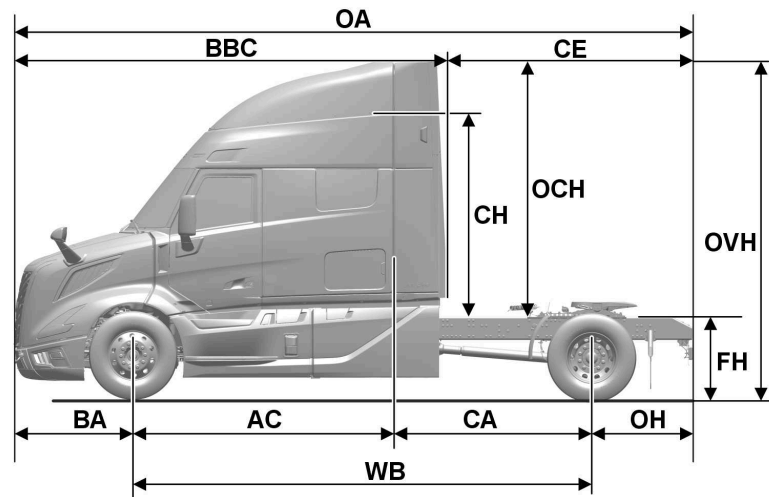
See Fig. 37

**Dimensions**

<b>Description</b>	<b>Drawing Reference</b>	<b>Dimension</b>
Bumper to front axle	BA	1408 mm
Front axle to end of cab	AC	2610 mm
End of cab to rear axle	CA	3700 mm
Overhang	OH	775 mm
Bogie spread	BS	1370 mm
Wheelbase	WB	4250 mm
Overall Length	OA	7928 mm
Bumper to back of cab	BBC	4817 mm
Cab to end of frame	CE	3746 mm
Unladen frame height	FH	1042 mm
Cab height	CH	2494 mm
Overall cab height	OCH	3023 mm
Overall height	OVH	4038 mm
Width of rear of cab	WROC	2580 mm
Mirror width	MW	3034 mm
Cab width	W	2502 mm

**Note:** The vehicle dimensions shown may vary slightly from the actual vehicle, as the dimensions are chassis-specific and unique to each vehicle.

# VNR 640, Truck, 4x2



T8216895

Fig. 38 VNR 640, CABH 200, CABL 290, 4x2

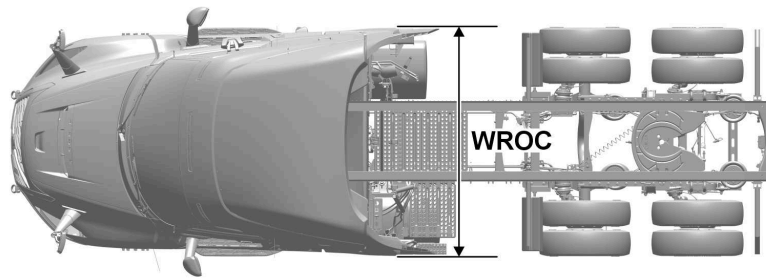
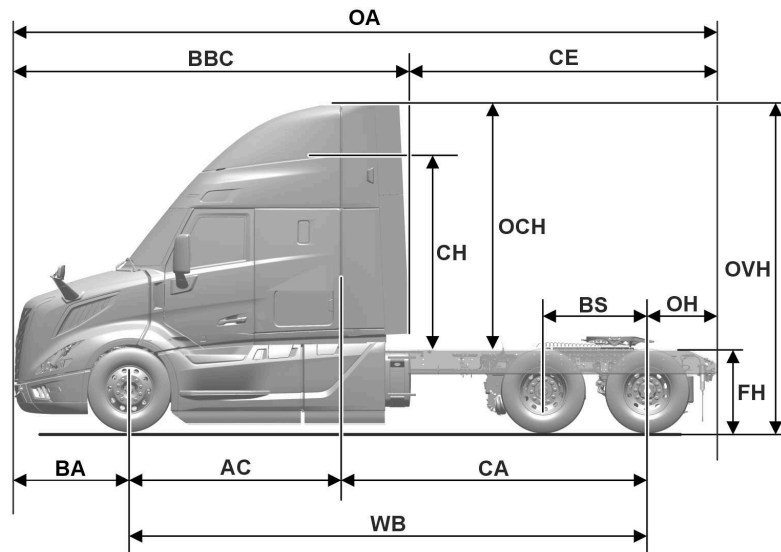
See Fig. 38

**Dimensions**

<b>Description</b>	<b>Drawing Reference</b>	<b>Dimension</b>
Bumper to front axle	BA	1297 mm
Front axle to end of cab	AC	2910 mm
End of cab to rear axle	CA	2168 mm
Overhang	OH	895 mm
Wheelbase	WB	4815 mm
Overall Length	OA	7645 mm
Bumper to back of cab	BBC	4807 mm
Cab to end of frame	CE	903 mm
Unladen frame height	FH	1010 mm
Cab height	CH	2508 mm
Overall cab height	OCH	3024 mm
Overall height	OVH	3984 mm
Width of rear of cab	WROC	2590 mm
Mirror width	MW	3075 mm
Cab width	W	2546 mm

**Note:** The vehicle dimensions shown may vary slightly from the actual vehicle, as the dimensions are chassis-specific and unique to each vehicle.

# VNR 640, Truck, 6x2



T8216825

Fig. 39 VNR 640, CABH 200, CABL 290, 6x2

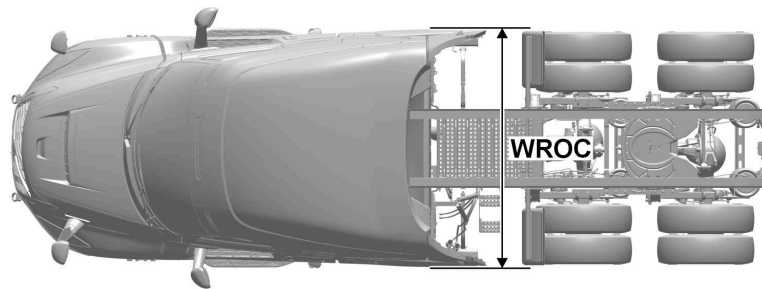
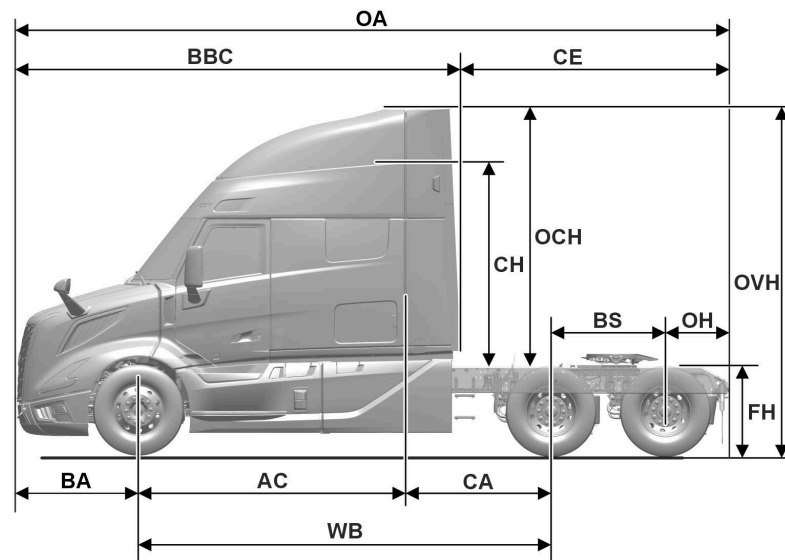
See Fig. 39

**Dimensions**

<b>Description</b>	<b>Drawing Reference</b>	<b>Dimension</b>
Bumper to front axle	BA	1297 mm
Front axle to end of cab	AC	2910 mm
End of cab to rear axle	CA	2540 mm
Overhang	OH	895 mm
Bogie spread	BS	1270 mm
Wheelbase	WB	5450 mm
Overall Length	OA	7645 mm
Bumper to back of cab	BBC	4807 mm
Cab to end of frame	CE	2838 mm
Unladen frame height	FH	1010 mm
Cab height	CH	2508 mm
Overall cab height	OCH	3024 mm
Overall height	OVH	3985 mm
Width of rear of cab	WROC	2590 mm
Mirror width	MW	3075 mm
Cab width	W	2546 mm

**Note:** The vehicle dimensions shown may vary slightly from the actual vehicle, as the dimensions are chassis-specific and unique to each vehicle.

# VNR 640, Truck, 6x4



T8216836

Fig. 40 VNR 640, CABH 200, CABL 290, 6x4

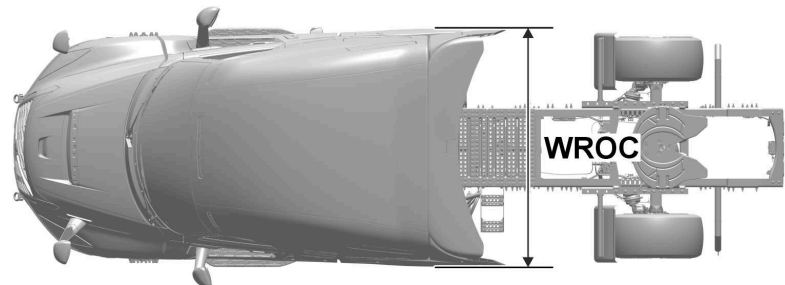
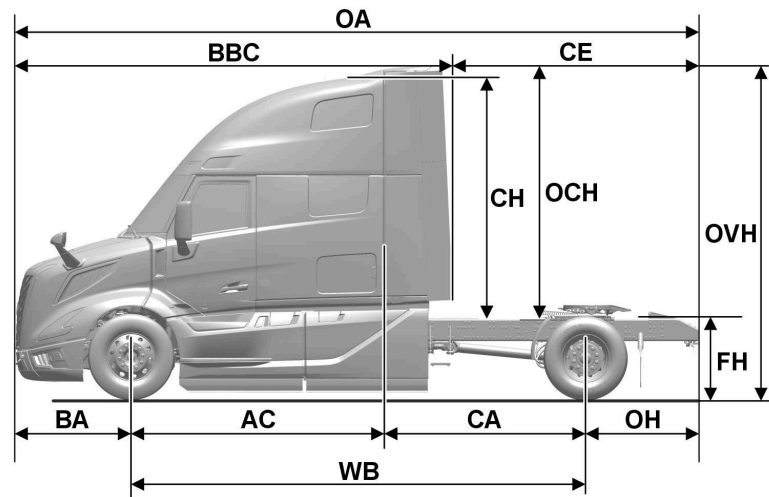
See Fig. 40

**Dimensions**

<b>Description</b>	<b>Drawing Reference</b>	<b>Dimension</b>
Bumper to front axle	BA	1408 mm
Front axle to end of cab	AC	3107 mm
End of cab to rear axle	CA	1643 mm
Overhang	OH	745 mm
Bogie spread	BS	1300 mm
Wheelbase	WB	4750 mm
Overall Length	OA	8213 mm
Bumper to back of cab	BBC	5118 mm
Cab to end of frame	CE	3095 mm
Unladen frame height	FH	1039 mm
Cab height	CH	2494 mm
Overall cab height	OCH	2997 mm
Overall height	OVH	3987 mm
Width of rear of cab	WROC	2590 mm
Mirror width	MW	3034 mm
Cab width	W	2546 mm

**Note:** The vehicle dimensions shown may vary slightly from the actual vehicle, as the dimensions are chassis-specific and unique to each vehicle.

# VNR 660, Truck, 4x2



T8216896

Fig. 41 VNR 660, CABH 270, CABL 290, 4x2

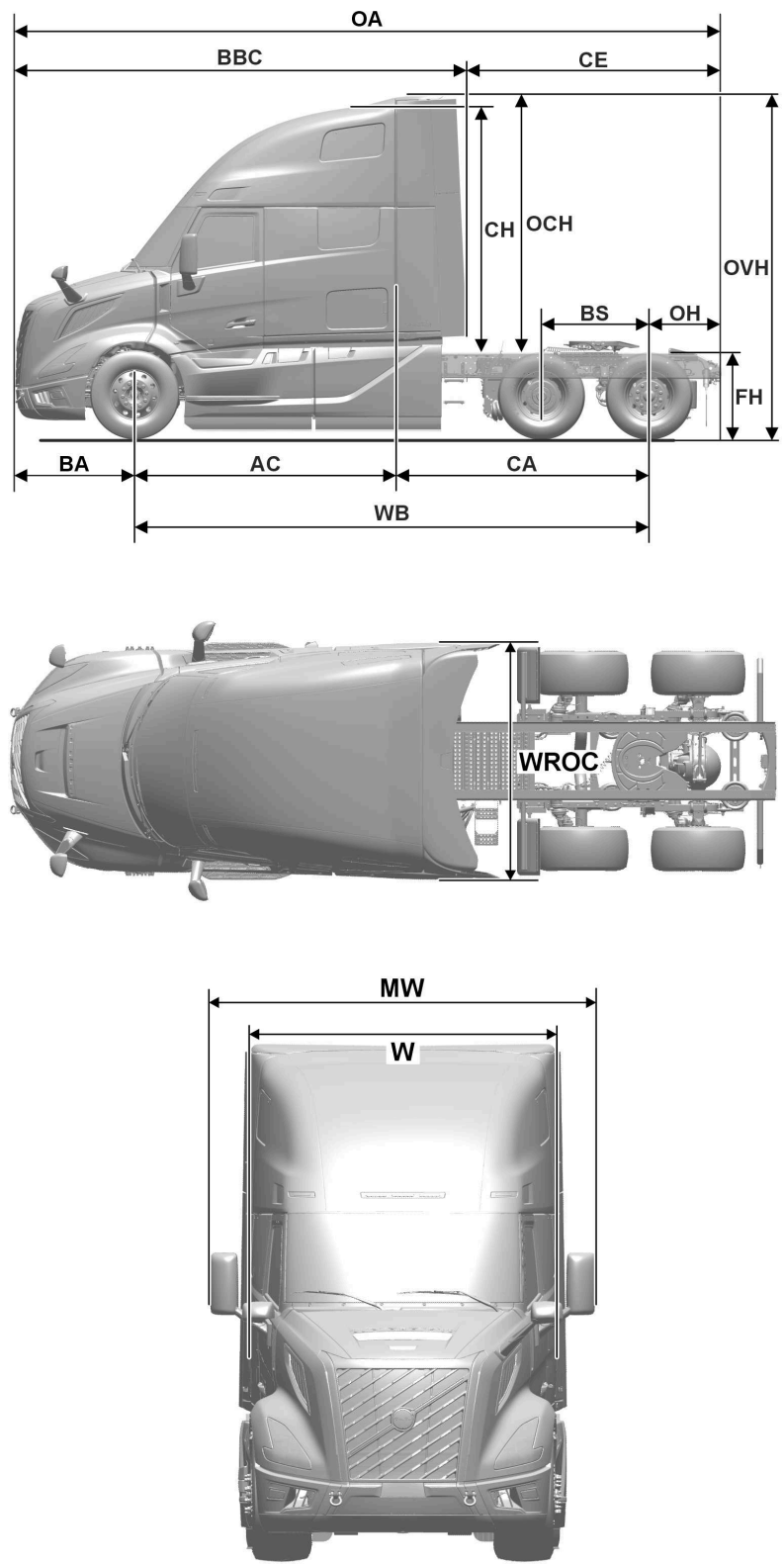
See Fig. 41

**Dimensions**

Description	Drawing Reference	Dimension
Bumper to front axle	BA	1408 mm
Front axle to end of cab	AC	3110 mm
End of cab to rear axle	CA	2168 mm
Overhang	OH	845 mm
Wheelbase	WB	5415 mm
Overall Length	OA	8313 mm
Bumper to back of cab	BBC	6858 mm
Cab to end of frame	CE	1455 mm
Unladen frame height	FH	1019 mm
Cab height	CH	3036 mm
Overall cab height	OCH	3083 mm
Overall height	OVH	4092 mm
Width of rear of cab	WROC	2585 mm
Mirror width	MW	3034 mm
Cab width	W	2580 mm

**Note:** The vehicle dimensions shown may vary slightly from the actual vehicle, as the dimensions are chassis-specific and unique to each vehicle.

# VNR 660, Truck, 6x2



T8216837

Fig. 42 VNR 660, CABH 270, CABL 290, 6x2

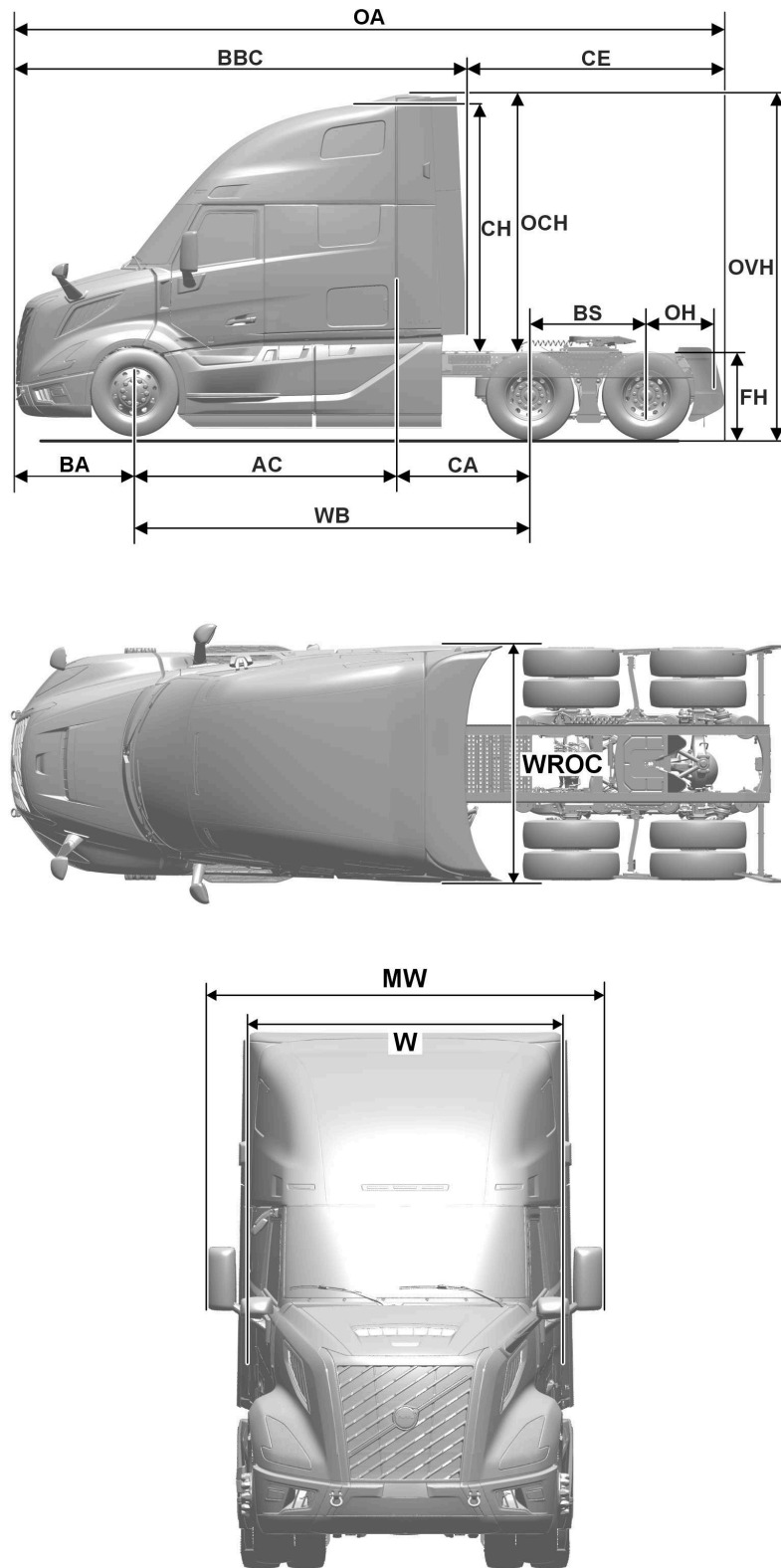
See Fig. 42

**Dimensions**

<b>Description</b>	<b>Drawing Reference</b>	<b>Dimension</b>
Bumper to front axle	BA	1408 mm
Front axle to end of cab	AC	3110 mm
End of cab to rear axle	CA	2940 mm
Overhang	OH	845 mm
Bogie spread	BS	1270 mm
Wheelbase	WB	6050 mm
Overall Length	OA	8313 mm
Bumper to back of cab	BBC	6858 mm
Cab to end of frame	CE	1455 mm
Unladen frame height	FH	1019 mm
Cab height	CH	3036 mm
Overall cab height	OCH	3083 mm
Overall height	OVH	4092 mm
Width of rear of cab	WROC	2585 mm
Mirror width	MW	3034 mm
Cab width	W	2580 mm

**Note:** The vehicle dimensions shown may vary slightly from the actual vehicle, as the dimensions are chassis-specific and unique to each vehicle.

# VNR 660, Truck, 6x4



T8216838

Fig. 43 VNR 660, CABH 270, CABL 290, 6x4

See Fig. 43

**Dimensions**

<b>Description</b>	<b>Drawing Reference</b>	<b>Dimension</b>
Bumper to front axle	BA	1408 mm
Front axle to end of cab	AC	3110 mm
End of cab to rear axle	CA	1540 mm
Overhang	OH	775 mm
Bogie spread	BS	1370 mm
Wheelbase	WB	4650 mm
Overall Length	OA	8328 mm
Bumper to back of cab	BBC	5317 mm
Cab to end of frame	CE	3011 mm
Unladen frame height	FH	1074 mm
Cab height	CH	3019 mm
Overall cab height	OCH	3066 mm
Overall height	OVH	4085 mm
Width of rear of cab	WROC	2580 mm
Mirror width	MW	3034 mm
Cab width	W	2580 mm

**Note:** The vehicle dimensions shown may vary slightly from the actual vehicle, as the dimensions are chassis-specific and unique to each vehicle.

## Fuel Tank Position

The Fuel Tank Position indicates the distance the fuel tanks are located from the front axle.

The fuel tank configurations are offered in driver, passenger or dual tank options. Dual fuel tanks may not always be symmetrical, depending on chassis configurations. However, different-sized fuel tanks on the driver side and passenger side may be chosen to make the chassis look symmetrical.

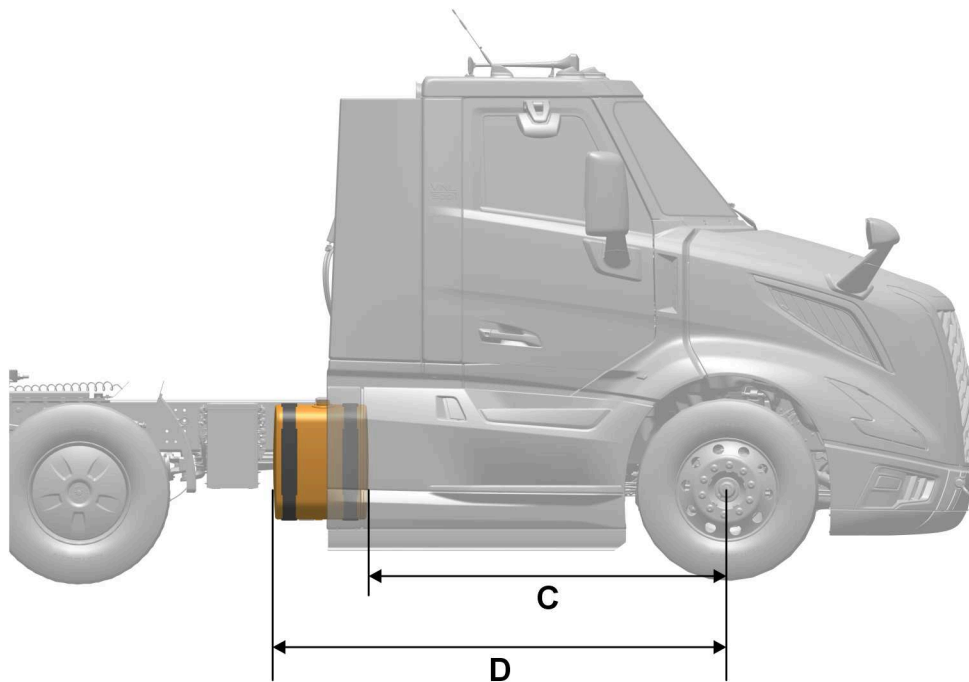
In addition, “D-shaped” tanks are available to shorten wheelbases with the same capacity fuel tank. The D-shaped tanks provide approximately a 10% shorter fuel tank, which reduces the overall fuel tank length by approximately three to seven inches.

### Fuel tank lengths (Left-Hand Side and Right-Hand Side)

Capacity		Fuel Tank Length	
		D-shaped	
		26" dia.	
Gal.	Liters	Inches	mm
50	190	21.50	546.35
75	285	31.67	804.50
100	380	41.83	1062.70
125	475	52.00	1320.80
150	570	62.16	1579

### VNL – Fuel Tank Position

#### Fuel Tank Position (Right-Hand Side)



T2204315

**Note:** Illustrations may differ slightly from the actual vehicle, based on variants, cab length and height, the position of the fuel tank changes.

Without exhaust aftertreatment system heating

VNL 300

Volvo D13 Engine					
Model	Cab	Exhaust direction	Capacity gals (L)	Distance to Front Axle, in. (mm)	
				C	D
<b>D-shaped Fuel Tanks</b>					
VNL	150	VERTICAL	50 (190)	79.52 (2020)	101.02 (2566)
		HORIZONTAL	50 (190)	78.66 (1998)	100.15 (2544)
			75 (285)	76.77 (1950)	108.46 (2755)
			100 (380)	76.77 (1950)	118.62 (3013)
			125 (475)	76.77 (1950)	128.77 (3271)
			150 (570)	76.77 (1950)	138.93 (3529)

VNL 440

Volvo D13 Engine					
Model	Cab	Capacity gals (L)	Distance to Front Axle, in. (mm)		
			C	D	
<b>D-shaped Fuel Tanks</b>					
VNL	230		50 (190)	NA	NA
			75 (285)	76.77 (1950)	108.46 (2755)
			100 (380)	76.77 (1950)	118.62 (3013)
			125 (475)	76.77 (1950)	128.77 (3271)
			150 (570)	76.77 (1950)	138.93 (3529)

VNL 640 / VNL 660

Volvo D13 Engine					
Model	Cab	Capacity gals (L)	Distance to Front Axle, in. (mm)		
			C	D	
<b>D-shaped Fuel Tanks</b>					
VNL	290		50 (190)	NA	NA
			75 (285)	76.77 (1950)	108.46 (2755)
			100 (380)	76.77 (1950)	118.62 (3013)
			125 (475)	76.77 (1950)	128.77 (3271)
			150 (570)	76.77 (1950)	138.93 (3529)

**VNL 840 / VNL 860**

<b>Volvo D13 Engine</b>				
<b>Model</b>	<b>Cab</b>	<b>Capacity gals (L)</b>	<b>Distance to Front Axle, in. (mm)</b>	
			<b>C</b>	<b>D</b>
<b>D-shaped Fuel Tanks</b>				
<b>VNL</b>	<b>320</b>	50 (190)	NA	NA
		75 (285)	76.77 (1950)	108.46 (2755)
		100 (380)	76.77 (1950)	118.62 (3013)
		125 (475)	76.77 (1950)	128.77 (3271)
		150 (570)	76.77 (1950)	138.93 (3529)

## Exhaust aftertreatment system heating, electrical

### VNL 300

Volvo D13 Engine				
Model	Cab	Capacity gals (L)	Distance to Front Axle, in. (mm)	
			C	D
<b>D-shaped Fuel Tanks</b>				
VNL	150	50 (190)	NA	NA
		75 (285)	81.10 (2060)	112.79 (2865)
		100 (380)	80.70 (2050)	122.55 (3113)
		125 (475)	80.70 (2050)	132.71 (3371)
		150 (570)	NA	NA

### VNL 440

Volvo D13 Engine				
Model	Cab	Capacity gals (L)	Distance to Front Axle, in. (mm)	
			C	D
<b>D-shaped Fuel Tanks</b>				
VNL	230	50 (190)	NA	NA
		75 (285)	81.10 (2060)	112.79 (2865)
		100 (380)	80.70 (2050)	122.55 (3113)
		125 (475)	80.70 (2050)	132.71 (3371)
		150 (570)	NA	NA

### VNL 640 / VNL 660

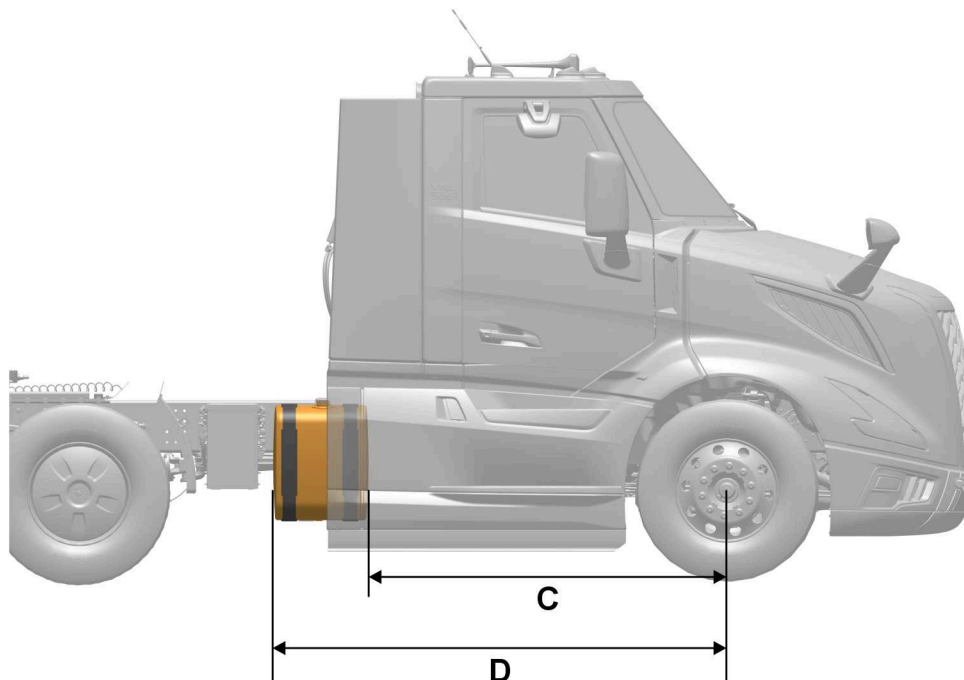
Volvo D13 Engine				
Model	Cab	Capacity gals (L)	Distance to Front Axle, in. (mm)	
			C	D
<b>D-shaped Fuel Tanks</b>				
VNL	290	50 (190)	NA	NA
		75 (285)	81.10 (2060)	112.79 (2865)
		100 (380)	80.70 (2050)	122.55 (3113)
		125 (475)	80.70 (2050)	132.71 (3371)
		150 (570)	NA	NA

**VNL 840 / VNL 860**

<b>Volvo D13 Engine</b>				
<b>Model</b>	<b>Cab</b>	<b>Capacity gals (L)</b>	<b>Distance to Front Axle, in. (mm)</b>	
			<b>C</b>	<b>D</b>
<b>D-shaped Fuel Tanks</b>				
<b>VNL</b>	<b>320</b>	50 (190)	NA	NA
		75 (285)	81.10 (2060)	112.79 (2865)
		100 (380)	80.70 (2050)	122.55 (3113)
		125 (475)	80.70 (2050)	132.71 (3371)
		150 (570)	80.70 (2050)	142.87 (3629)

## VNR – Fuel Tank Position

### Fuel Tank Position (Right-Hand Side)



T2204315

**Note:** Illustrations may differ slightly from the actual vehicle, based on variants, cab length and height, the position of the fuel tank changes.

### Without exhaust aftertreatment system heating

#### VNR 300

Volvo D13 Engine				
Model	Cab	Capacity gals (L)	Distance to Front Axle, in. (mm)	
			C	D
<b>D-shaped Fuel Tanks</b>				
<b>VNR</b>	<b>150</b>	50 (190)	78.66 (1998)	100.15 (2544)
		75 (285)	76.77 (1950)	108.46 (2755)
		100 (380)	76.77 (1950)	118.62 (3013)
		125 (475)	76.77 (1950)	128.77 (3271)
		150 (570)	76.77 (1950)	138.93 (3529)

**VNR 440**

Volvo D13 Engine				
Model	Cab	Capacity gals (L)	Distance to Front Axle, in. (mm)	
			C	D
<b>D-shaped Fuel Tanks</b>				
VNR	230	50 (190)	NA	NA
		75 (285)	76.77 (1950)	108.46 (2755)
		100 (380)	76.77 (1950)	118.62 (3013)
		125 (475)	76.77 (1950)	128.77 (3271)
		150 (570)	76.77 (1950)	138.93 (3529)

**VNR 640 / VNR 660**

Volvo D13 Engine				
Model	Cab	Capacity gals (L)	Distance to Front Axle, in. (mm)	
			C	D
<b>D-shaped Fuel Tanks</b>				
VNR	290	50 (190)	79.52 (2020)	101.02 (2566)
		75 (285)	76.77 (1950)	108.46 (2755)
		100 (380)	79.72 (2025)	121.57 (3088)
		125 (475)	76.77 (1950)	128.77 (3271)
		150 (570)	76.77 (1950)	138.93 (3529)

## Exhaust aftertreatment system heating, electrical

### VNR 300

Volvo D13 Engine				
Model	Cab	Capacity gals (L)	Distance to Front Axle, in. (mm)	
			C	D
<b>D-shaped Fuel Tanks</b>				
VNR	150	50 (190)	NA	NA
		75 (285)	81.10 (2060)	112.79 (2865)
		100 (380)	80.70 (2050)	122.55 (3113)
		125 (475)	80.70 (2050)	132.71 (3371)
		150 (570)	NA	NA

### VNR 440

Volvo D13 Engine				
Model	Cab	Capacity gals (L)	Distance to Front Axle, in. (mm)	
			C	D
<b>D-shaped Fuel Tanks</b>				
VNR	230	50 (190)	NA	NA
		75 (285)	81.10 (2060)	112.79 (2865)
		100 (380)	80.70 (2050)	122.55 (3113)
		125 (475)	80.70 (2050)	132.71 (3371)
		150 (570)	NA	NA

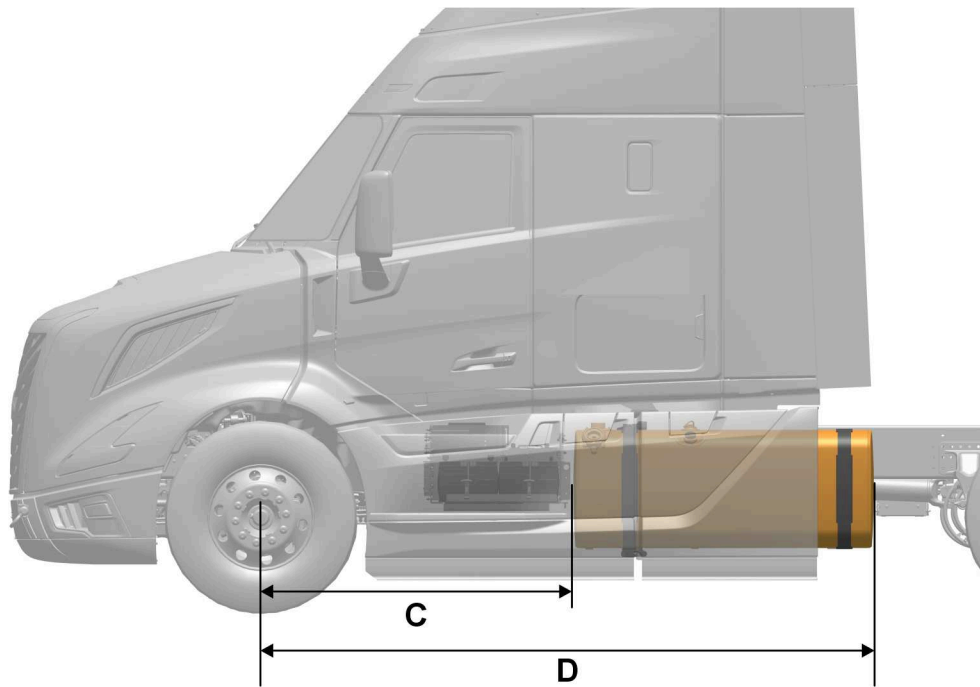
### VNR 640 / VNR 660

Volvo D13 Engine				
Model	Cab	Capacity gals (L)	Distance to Front Axle, in. (mm)	
			C	D
<b>D-shaped Fuel Tanks</b>				
VNR	290	50 (190)	NA	NA
		75 (285)	81.10 (2060)	112.79 (2865)
		100 (380)	80.70 (2050)	122.55 (3113)
		125 (475)	80.70 (2050)	132.71 (3371)
		150 (570)	NA	NA

VNL, VNR – Fuel Tank Position

Fuel Tank Position (Left-Hand Side)

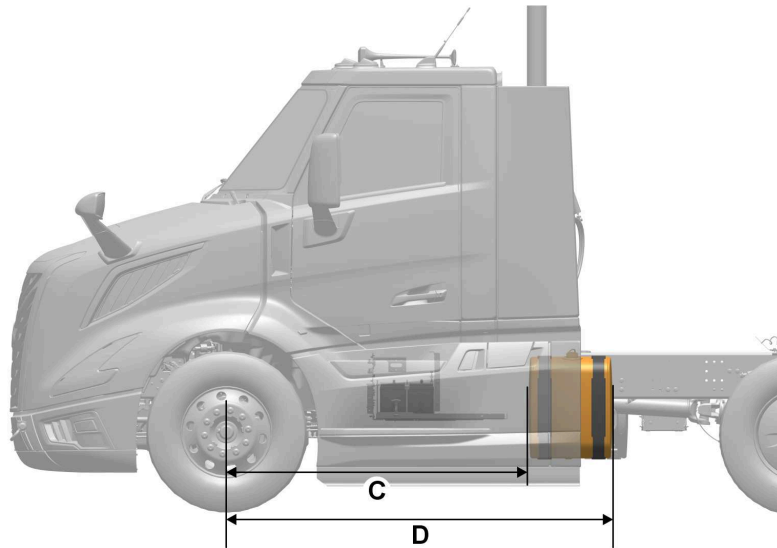
Volvo D13 Engine				
With 4 or 6 Battery Box				
Model	Cab	Capacity gals (L)	Distance to Front Axle, in. (mm)	
			C	D
<b>D-shaped Fuel Tanks</b>				
<b>VNL, VNR</b>	<b>150</b>	50 (190)	NA	NA
		75 (285)	68.74 (1746)	114.48 (2908)
		100 (380)	68.74 (1746)	124.68 (3167)
		125 (475)	68.58 (1742)	134.84 (3425)
		150 (570)	68.74 (1746)	145 (3683)



T2204645

Fuel tank position with 4 to 6 batteries.

Volvo D13 Engine				
With 2 Battery Box				
Model	Cab	Capacity gals (L)	Distance to Front Axle, in. (mm)	
			C	D
<b>D-shaped Fuel Tanks</b>				
<b>VNL, VNR</b>	<b>150</b>	50 (190)	76.96 (1955)	98.46 (2501)
		75 (285)	73.03 (1855)	114.84 (2917)
		100 (380)	73.03 (1855)	114.84 (2917)
		125 (475)	73.03 (1855)	125 (3175)
		150 (570)	73.03 (1855)	135.15 (3433)



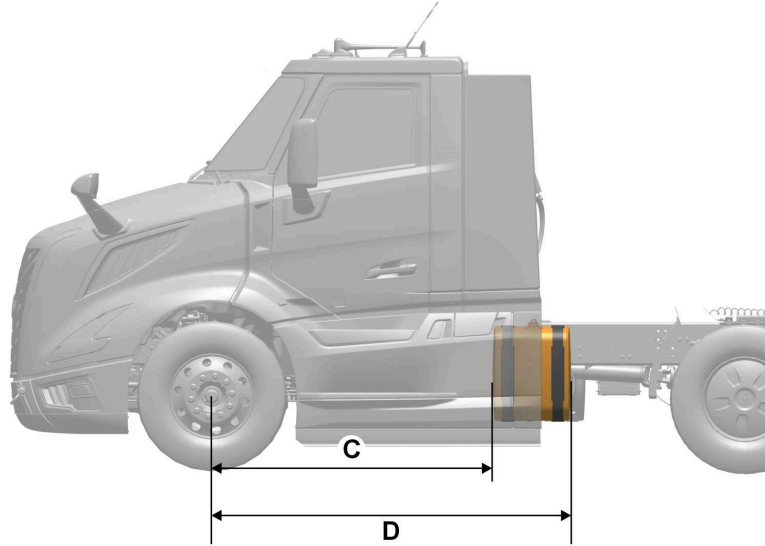
T2204638

Fuel tank position with 2 batteries

Fuel tank position with 2 batteries.

Volvo D13 Engine				
Model	Cab	Capacity gals (L)	Distance to Front Axle, in. (mm)	
			C	D
<b>D-shaped Fuel Tanks</b>				
<b>VNL, VNR</b>	<b>290</b>	50 (190)	NA	NA
		75 (285)	68.74 (1746)	114.48 (2908)
		100 (380)	68.74 (1746)	124.68 (3167)
		125 (475)	68.58 (1742)	134.84 (3425)
		150 (570)	68.74 (1746)	145 (3683)

Volvo D13 Engine				
Model	Cab	Capacity gals (L)	Distance to Front Axle, in. (mm)	
			C	D
<b>D-shaped Fuel Tanks</b>				
<b>VNL</b>	<b>320</b>	50 (190)	NA	NA
		75 (285)	68.74 (1746)	114.48 (2908)
		100 (380)	68.74 (1746)	124.68 (3167)
		125 (475)	68.58 (1742)	134.84 (3425)
		150 (570)	68.74 (1746)	145 (3683)



T2204627

**Note:** Illustrations may differ slightly from the actual vehicle, based on variants, cab length and height, the position of the fuel tank changes.

**V O L V O**

**Volvo Trucks North America**

<http://www.volvotrucks.com>